



KE2 EvapOEM

ELECTRONIC CONTROLLER FOR KRACK
MK, MV, MS, SM, AND SV EVAPORATORS



Why KE2 EvapOEM?

The KE2 EvapOEM was designed with a quick payback and a life expectancy that matches that of the system. The controller pays for itself, then continues to pay dividends for the life of the system.

- Eliminates unnecessary defrosts typically associated with timed based alternatives — reducing energy consumption and preserving product integrity
- Maximizes energy efficiency with less compressor run time resulting from shorter defrosts
- Eliminates ice formation on floors and ceilings
- Eliminates excessive temperature swings



Featured Options

KE2 Remote Display provides easy programming and temperature feedback from the KE2 EvapOEM board.



KE2 EdgeManager Plus provides real-time data tracking, storing and uploading. And, while many monitoring options force users to store their data on the provider's "cloud," with the KE2 EdgeManager Plus, local access is free – the user owns their data.

Controller Connection

KE2 EvapOEM can control defrost scheduling and termination, electronic expansion valve (EEV), variable speed fans and display.

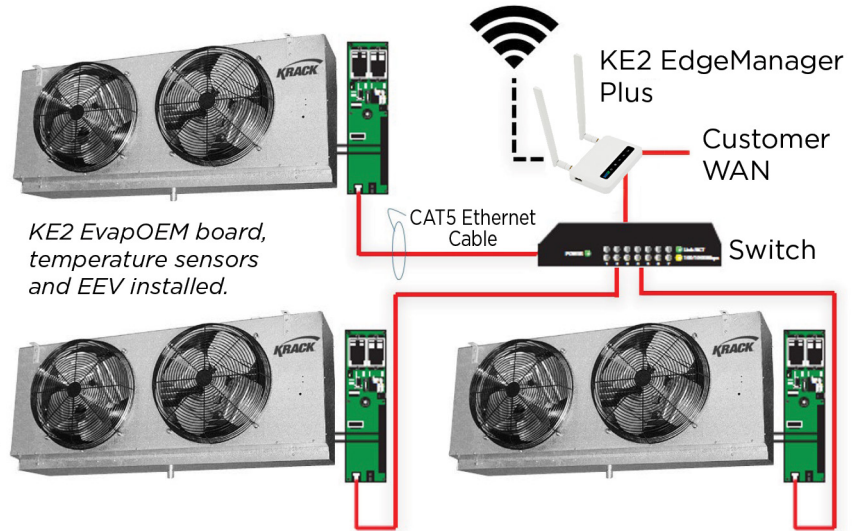
To build your KE2 control per evaporator:

1. Select **KE2 EvapOEM** installed with **two KE2 temperature sensors** for room and coil temperature / termination
2. Replace mechanical TXV with EEV, select **Sporlan stepper valve** installed and **KE2 transducer and suction temperature sensor**
3. To add variable speed fan control, select **V motor code** on evaporator
4. Optional: Add KE2 Remote Display

Multiple Connections

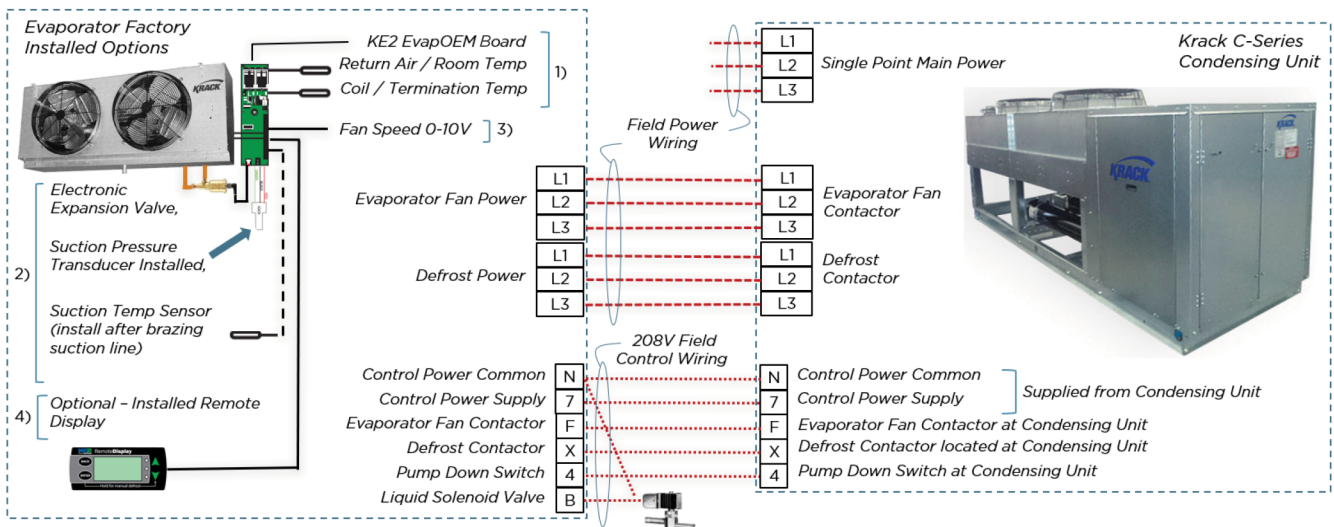
KE2 EvapOEM communicates via Ethernet for remote access, alarms, defrost synchronization, etc. Connections can be made directly to the network on site or parts can be supplied to connect multiple EvapOEM boards.

An 8- or 16-channel switch adds 7 or 15 boards to a network. The KE2 EdgeManager Plus connects to customer's WAN and provides secure WIFI for communication to laptop, tablet or phone.



Field Wiring and Connections

Field power wiring by the electrician includes the power feed to the condensing unit and from the condensing unit to the evaporator to power fans and defrost. Control wiring is also 208V from the condensing unit connecting matching terminal pins in the evaporator.



Krack, a Hussmann Corporation brand

For all customers inquiries, visit www.krack.com or call 800.922.1919.

www.krack.com
www.hussmann.com