



Microchannel

REMOTE AIR-COOLED CONDENSER

Installation and Operation Manual



Part Number: E660159_M

Products that provide lasting solutions.



BEFORE YOU BEGIN

Read the safety information completely and carefully.



The precautions and use of the procedures described herein are intended to use the product correctly and safely. Comply with the precautions described below to protect you and others from possible injuries. Relative to their potential danger, the relevant matters are divided into four parts as defined by ANSI Z535.5

ANSI Z535.5 DEFINITIONS



• **DANGER** – Indicate[s] a hazardous situation which, if not avoided, will result in death or serious injury.



• **WARNING** – Indicate[s] a hazardous situation which, if not avoided, could result in death or serious injury.



• **CAUTION** – Indicate[s] a hazardous situation which, if not avoided, could result in minor or moderate injury.

• **NOTICE** – *Not related to personal injury* – Indicates[s] situations, which if not avoided, could result in damage to equipment.

Environmental Concerns

Hussmann recommends responsible handling of refrigerants that contain Chlorine, Fluorine and Carbon (CFCs) and those that contain Hydrogen, Chlorine, Fluorine, and Carbon (HCFCs). Only certified technicians may handle these refrigerants. All technicians must be aware and follow the requirements set forth by the Federal Clean Air Act (Section 608) for any service procedure being performed on this equipment that involves refrigerant. Additionally, some states have other requirements that must be adhered to for responsible management of refrigerants.



WARNING

PERSONAL PROTECTION EQUIPMENT (PPE)

Only qualified personnel should install and service this equipment. Personal Protection Equipment (PPE) is required whenever servicing this equipment. Wear safety glasses, gloves, protective boots or shoes, long pants, and a long-sleeve shirt as required when working with this equipment. Observe all precautions on tags, stickers, labels and literature attached to this equipment.



CAUTION

Contractors shall strictly adhere to specifications provided by the Engineer of Record (EOR), as well as US Environmental Protection Agency regulations, OSHA regulations, and all other federal, state and local codes. This work should only be done by qualified, licensed contractors. There are numerous hazards, not limited to, but including: burns due to high temperatures, high pressures, toxic substances, electrical arcs and shocks, very heavy equipment with specific lift points and structural constraints, food and product damage or contamination, public safety, noise, and possible environmental damage. Never leave operating compressors unattended during the manual soft-start process. Always power rocker switches off when unattended.

WARNING

Proper Field Wiring and Grounding Required! Failure to follow code could result in death or serious injury. All field wiring **MUST** be performed by qualified personnel. Improperly installed and grounded field wiring poses **FIRE** and **ELECTROCUTION** hazards. To avoid these hazards, you **MUST** follow requirements for field wiring installation and grounding as described in NEC and your local/state electrical codes.



This warning does not mean that Hussmann products will cause cancer or reproductive harm, or is in violation of any product-safety standards or requirements. As clarified by the California State government, Proposition 65 can be considered more of a 'right to know' law than a pure product safety law. When used as designed, Hussmann believes that our products are not harmful. We provide the Proposition 65 warning to stay in compliance with California State law. It is your responsibility to provide accurate Proposition 65 warning labels to your customers when necessary. For more information on Proposition 65, please visit the California State government website.

CAUTION

This manual was written in accordance with originally prescribed equipment that is subject to change. Hussmann reserves the right to change all or part of the equipment for future stores such as, but not limited to, controllers, valves and electrical specifications. It is the installers responsibility to reference the refrigeration drawings supplied for each installation, as directed by the Engineer of Record.

WARNING

This equipment is prohibited from use in California with any refrigerants on the "List of Prohibited Substances" for that specific end-use, per California Code of Regulations, title 17, section 95374.

Use in other locations is limited to refrigerants permitted by country, state, or local laws and is the responsibility of the installer/end-user to ensure only permitted refrigerants are used.

This disclosure statement has been reviewed and approved by Hussmann and Hussmann attests, under penalty of perjury, that these statements are true and accurate.

TABLE OF CONTENTS

ANSI Z535.5 DEFINITIONS.....	2
ENVIRONMENTAL CONCERNS.....	2
1 RECEIPT OF EQUIPMENT.....	9
1.1 INSPECTION	9
1.2 LOSS OF GAS HOLDING CHARGE	9
2 MODELS AND DIMENSIONS.....	9
2.1 UNIT MODELS	9
2.2 UNIT DIMENSIONS AND MOTOR AMPS	10
2.3 UNIT MOTOR AMPS.....	14
2.4 UNIT WEIGHTS, SOUND AND REFRIGERANT CHARGES.....	15
3 UNIT LOCATION.....	16
4 RIGGING.....	17
5 UNIT ASSEMBLY	18
5.1 LEG ASSEMBLY	18
6 INSTALLATION AND PIPING	18
6.1 MOUNTING THE UNIT	18
6.2 REFRIGERATION PIPING	18
6.3 HOLDBACK FLOODING CONTROL.....	21
7 ELECTRICAL.....	21
7.1 FIELD WIRING	21
7.2 MOTORS WIRED TO TERMINAL BLOCKS	23
7.3 MOTORS WIRED TO STANDARD FAN CYCLING CONTROL PANEL	23
7.4 FAN CYCLE OPERATION.....	26
7.5 CONTROL SETTINGS.....	26
7.6 TEMPERATURE SENSOR.....	26
7.7 FIELD INSTALLED VARIABLE FREQUENCY DRIVES - VFD.....	26
8 VARIABLE SPEED CONDENSERS	29
8.1 OVERVIEW.....	29
8.2 CONTROLLERS.....	30
8.2.1 SEQUENCE OF OPERATION	30
8.2.2 HUSSMANN CONTROLLER.....	31
8.2.2.1 CONNECTIVITY.....	32
8.2.2.1.1 HUSSMANN CONTROLLER LOCAL DISPLAY INTERFACE	32
8.2.2.1.2 MOBILE ACCESS PORTAL (MAP) 1810 GATEWAY	33
8.2.2.2 COMMISSIONING	33
8.2.2.2.1 SYSTEM CONFIGURATION.....	33
8.2.2.2.2 SETPOINTS.....	34
8.2.2.2.3 OVERRIDES.....	36
8.2.2.2.4 ALARMS.....	37
8.2.2.3 TROUBLESHOOTING.....	39
8.2.3 EMERSON CONTROLLER.....	40
8.2.3.1 COMMISSIONING	41
8.2.3.1.1 INPUTS CONFIGURATION	41
8.2.3.1.2 OUTPUTS CONFIGURATION.....	42
8.2.3.1.3 CONDENSER SETUP	42
8.2.3.1.4 ANALOG COMBINER.....	51
8.2.3.1.5 FLEXIBLE COMBINER	54
8.2.3.2 TROUBLESHOOTING.....	58
8.2.4 DANFOSS CONTROLLER	60
8.2.4.1 CONNECTIVITY.....	61
8.2.4.1.1 MCX06D LOCAL DISPLAY INTERFACE.....	61
8.2.4.1.2 PROGRAMMABLE CONTROLLER MMIMYK	62
8.2.4.2 COMMISSIONING	68
8.2.4.2.1 MAIN MENU ACCESS	68

8.2.4.2.2	I/O CONFIG	69
8.2.4.2.3	PARAMETERS	72
8.2.4.2.4	ALARMS	77
8.2.4.3	TROUBLESHOOTING	78
8.2.5	MICROTHERMO	79
8.2.5.1	COMMISSIONING	80
8.2.5.1.1	INPUT SETTINGS	80
8.2.5.1.2	CONFIGURATION	82
8.2.5.1.3	GLOBAL SETTINGS	85
8.2.5.1.4	SECTION A	86
8.2.5.1.5	SECTION B	89
8.2.5.2	TROUBLESHOOTING	92
8.3	KB DRIVE TROUBLESHOOTING - LED STATUS, FAULTS AND RECOVERY	93
9	INSPECTION	95
10	CLEANING	95
11	REPLACEMENT PARTS LISTS	96

TABLE OF CHARTS

Table 1 UNIT DIMENSIONS.....	10
Table 2 UNIT DIMENSIONS.....	11
Table 3 UNIT DIMENSIONS.....	12
Table 4 UNIT FULL LOAD MOTOR AMPS.....	14
Table 5 UNIT WEIGHTS, SOUND AND REFRIGERANT CHARGES.....	15
Table 6 CONTROL PANEL SETTINGS – PRESSURE SENSING.....	27
Table 7 CONTROL PANEL SETTINGS – TEMPERATURE SENSING.....	28
Table 8 MICROCHANNEL FANS AND SOLENOID ARRANGEMENT.....	30
Table 9 INDICATOR LIGHTS.....	32
Table 10 SYSTEM CONFIGURATION PARAMETERS DESCRIPTION.....	34
Table 11 SETPOINTS DESCRIPTION.....	35
Table 12 OVERRIDE PARAMETERS DESCRIPTION.....	37
Table 13 ALARM SETPOINTS DESCRIPTION.....	38
Table 14 HUSSMANN CONTROLLER LED TROUBLESHOOTING.....	39
Table 15 HUSSMANN CONTROLLER APPLICATION TROUBLESHOOTING.....	39
Table 16 INPUTS CONFIGURATION DESCRIPTION.....	41
Table 17 OUTPUTS CONFIGURATION DESCRIPTION.....	42
Table 18 SETPOINTS TAB DESCRIPTION.....	45
Table 19 INPUTS TAB DESCRIPTION.....	46
Table 20 VS SETUP TAB DESCRIPTION.....	47
Table 21 FAN OUTS TAB DESCRIPTION.....	48
Table 22 OTHER OUTS TAB DESCRIPTION.....	49
Table 23 ADVANCED TAB DESCRIPTION.....	51
Table 24 GENERAL TAB DESCRIPTION.....	52
Table 25 COMB INS TAB DESCRIPTION.....	52
Table 26 CTRL INS TAB DESCRIPTION.....	53
Table 27 OUTPUTS TAB DESCRIPTION.....	54
Table 28 GENERAL TAB DESCRIPTION.....	54
Table 29 INPUTS TAB DESCRIPTION.....	55
Table 30 OUTPUTS TAB DESCRIPTION.....	56
Table 31 OUTPUT EQ TAB DESCRIPTION.....	56
Table 32 ENG UNITS TAB DESCRIPTION.....	57
Table 33 DESCRIPT TAB DESCRIPTION.....	57
Table 34 E2 MULTIFLEX TROUBLESHOOTING.....	58
Table 35 KEYS FUNCTIONALITY IN HOME SCREEN.....	61
Table 36 I/O CONFIG MENU.....	69
Table 37 ANALOG INPUT MENU.....	71
Table 38 ANALOG OUTPUT MENU.....	72
Table 39 PARAMETERS MENU.....	73
Table 40 GENERAL MENU.....	74
Table 41 GENERAL – CONFIGURATION PARAMETERS.....	74
Table 42 GENERAL – SERIAL SETTINGS PARAMETERS.....	74
Table 43 GENERAL – PASSWORD PARAMETERS.....	74
Table 44 GENERAL – SETUP PARAMETERS.....	74
Table 45 UNIT CONFIG PARAMETERS.....	75
Table 46 OVERRIDES PARAMETERS.....	76
Table 47 ALARMS MENU.....	77
Table 48 DANFOSS CONTROLLER APPLICATION TROUBLESHOOTING.....	78
Table 49 MICROTHERMO CONTROLLER APPLICATION TROUBLESHOOTING.....	92
Table 50 TYPICAL REPLACEMENT PART NUMBERS.....	97
Table 51 MOTOR, FAN BLADE, MOTOR RING, FAN GUARD AND BRACKET COMBINATION.....	98

TABLE OF FIGURES

Figure 1 UNIT DIMENSIONS.....	10
Figure 2 UNIT DIMENSIONS – K FAN MOTOR MODEL	11
Figure 3 UNIT DIMENSIONS – STANDARD FAN MOTOR MODEL	12
Figure 4 UNIT DIMENSIONS WITH MOUNTED RECEIVER	13
Figure 5 LOCATION REQUIREMENTS.....	16
Figure 6 RIGGING.....	17
Figure 7 STANDARD LEGS ASSEMBLY.....	18
Figure 8 UNIT MOUNTING AND PIPING	19
Figure 9 DOUBLE RISER DISCHARGE ARRANGEMENT.....	20
Figure 10 HOLDBACK FLOODING CONTROL ARRANGEMENTS	21
Figure 11 TERMINAL BLOCK ONLY WIRING DIAGRAMS (NC – C444).....	23
Figure 12 INDIVIDUAL FAN MOTOR WIRING DIAGRAM (-311, -315, -411, -415).....	24
Figure 13 FAN MOTOR CYCLING WITH FUSES AND CONTACTORS IN PAIRS (-331).....	24
Figure 14 CONTROL CIRCUIT WIRING DIAGRAM (-315)	25
Figure 15 VARIABLE SPEED WIRING DIAGRAM	29
Figure 16 HUSSMANN CONTROLLER WIRING DIAGRAM.....	31
Figure 17 HUSSMANN CONTROLLER LOCAL DISPLAY.....	32
Figure 18 SYSTEM CONFIGURATION PARAMETERS SCREENSHOT.....	33
Figure 19 SETPOINTS SCREENSHOT.....	35
Figure 20 OVERRIDE PARAMETERS SCREENSHOT	36
Figure 21 ALARM SETPOINTS SCREENSHOT.....	38
Figure 22 MULTIFLEX 810-3063 4AO BOARD WIRING DIAGRAM.....	40
Figure 23 INPUTS CONFIGURATION SCREENSHOT.....	41
Figure 24 OUTPUTS CONFIGURATION SCREENSHOT.....	42
Figure 25 SETPOINTS TAB 1 SCREENSHOT.....	44
Figure 26 SETPOINTS TAB 2 SCREENSHOT.....	44
Figure 27 INPUTS TAB SCREENSHOT	46
Figure 28 VS SETUP TAB SCREENSHOT	47
Figure 29 FAN OUTS TAB SCREENSHOT	48
Figure 30 VS FAN OUT SETUP SCREENSHOT.....	48
Figure 31 OTHER OUTS TAB SCREENSHOT.....	49
Figure 32 SPLIT VALVE SETUP SCREEN SHOT.....	50
Figure 33 ADVANCED TAB SCREENSHOT.....	50
Figure 34 GENERAL TAB SCREENSHOT	51
Figure 35 COMB INS TAB SCREENSHOT	52
Figure 36 CTRL INS TAB SCREENSHOT	53
Figure 37 OUTPUTS TAB SCREENSHOT.....	53
Figure 38 GENERAL TAB SCREEN SHOT.....	54
Figure 39 INPUTS TAB SCREENSHOT	55
Figure 40 OUTPUTS TAB SCREENSHOT	55
Figure 41 OUTPUT EQ TAB SCREENSHOT.....	56
Figure 42 ENG UNIT TAB SCREENSHOT.....	56
Figure 43 DESCRIPT TAB SCREENSHOT	57
Figure 44 DANFOSS MCX06D CONTROLLER WIRING DIAGRAM	60
Figure 45 MCX06D CONTROLLER LOCAL DISPLAY	61
Figure 46 MMIMYK CONNECTION DIAGRAM.....	62
Figure 47 MMIMYK NETWORK DIAGRAM.....	63
Figure 48 MMIMYK CONNECTIONS - CANBUS TO MCX06D.....	63
Figure 49 SIMULATOR FOLDER	64
Figure 50 MCXVPortConnector DATALOGGER.....	64

Figure 51 MCX Simulator	65
Figure 52 MCXWeb INTERFACE.....	65
Figure 53 MCXWeb - DEVICE LIST.....	66
Figure 54 MCXWeb - OVERVIEW TAB.....	66
Figure 55 MCXWeb - DETAILS TAB.....	67
Figure 56 MCXWeb - GRAPHS TAB	67
Figure 57 MAIN MENU L0.....	68
Figure 58 LEVEL 3 PASSWORD	68
Figure 59 MAIN MENU L3.....	69
Figure 60 I/O CONFIG SELECTION	69
Figure 61 I/O CONFIG SCREEN.....	70
Figure 62 ANALOG INPUT SETUP SCREEN.....	70
Figure 63 ANALOG INPUT SCREEN.....	71
Figure 64 ANALOG OUTPUT SETUP SCREEN.....	71
Figure 65 ANALOG OUTPUT SCREEN.....	72
Figure 66 PARAMETERS SELECTION.....	72
Figure 67 PARAMETERS SCREEN.....	73
Figure 68 GENERAL SCREEN	73
Figure 69 UNIT CONFIG SELECTION.....	75
Figure 70 OVERRIDES SELECTION	76
Figure 71 ALARMS SELECTION.....	77
Figure 72 ALARMS SCREEN.....	77
Figure 73 MICROTHERMO MT-722F MT-784A CONTROLLER WIRING DIAGRAM.....	79
Figure 74 INPUT SETTINGS SCREENSHOT.....	80
Figure 75 OAT SENSOR CONFIGURATION SCREENSHOT	81
Figure 76 DROPLEG SENSOR CONFIGURATION SCREENSHOT.....	81
Figure 77 DISCHARGE PRESSURE TRANSDUCER CONFIGURATION SCREENSHOT.....	82
Figure 78 DROP LEG PRESSURE CONFIGURATION SCREENSHOT	82
Figure 79 CGC CONTROL SETTINGS SCREENSHOT	83
Figure 80 CGC SPLIT SETTINGS SCREENSHOT.....	83
Figure 81 CGC PID SETTINGS SCREENSHOT	84
Figure 82 CGC STAGING SETTINGS SCREENSHOT.....	84
Figure 83 CGC PRESSURE LIMITS SETTINGS SCREENSHOT.....	85
Figure 84 CGC GLOBAL SETTINGS SCREENSHOT.....	85
Figure 85 CGC SECTION A – OUTPUTS CONFIGURATION SCREENSHOT	86
Figure 86 CGC SECTION A – AO CONFIGURATION SCREENSHOT	86
Figure 87 CGC SECTION A – RESET VFD CONFIGURATION SCREENSHOT	87
Figure 88 CGC SECTION A – BYPASS VFD CONFIGURATION SCREENSHOT	87
Figure 89 CGC SECTION A – VFD FAULT SELECTION SCREENSHOT.....	88
Figure 90 CGC SECTION A – VFD FAULT CONFIGURATION SCREENSHOT.....	88
Figure 91 CGC SECTION B – OUTPUTS CONFIGURATION SCREENSHOT	89
Figure 92 CGC SECTION B – SPLIT VALVE RELAY CONFIGURATION SCREENSHOT.....	89
Figure 93 CGC SECTION B – AO CONFIGURATION SCREENSHOT	90
Figure 94 CGC SECTION B – RESET VFD CONFIGURATION SCREENSHOT	90
Figure 95 CGD SECTION B – BYPASS VFD CONFIGURATION SCREENSHOT	91
Figure 96 CGC SECTION B – VFD FAULT SELECTION SCREENSHOT.....	91
Figure 97 CGC SECTION B – VFD FAULT CONFIGURATION SCREENSHOT.....	92
Figure 98 TYPICAL REPLACEMENT PART NUMBERS.....	96

1 RECEIPT OF EQUIPMENT

1.1 INSPECTION

All equipment should be carefully checked for damage or shortages as soon as it is received. Each shipment should be carefully checked against the bill of lading. If any damage or shortage is evident, a notation must be made on the delivery receipt before it is signed and a claim should then be filed against the freight carrier. **Inspection and claims are the responsibility of the recipient.**

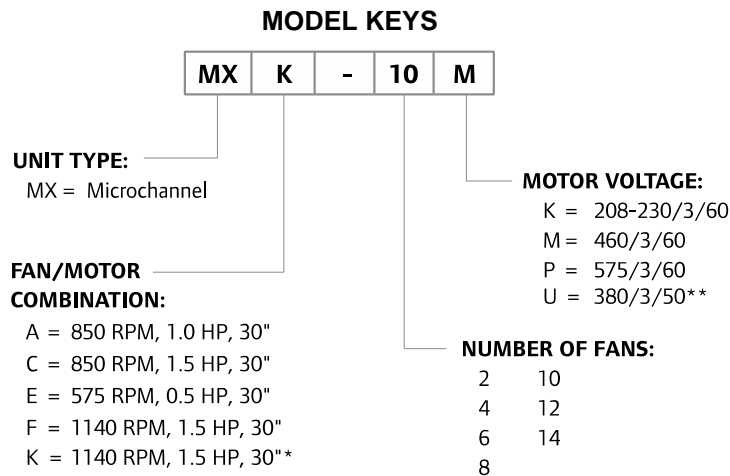
1.2 LOSS OF GAS HOLDING CHARGE

The refrigeration coil section of each Microchannel unit is leak tested, evacuated to remove moisture and then shipped with a pressurized nitrogen gas holding charge. Absence of this charge may indicate a leak has developed in transit. The system should not be charged with refrigerant until it is verified that there is no leak, or the source of the leak is located and repaired if necessary.

2 MODELS AND DIMENSIONS

2.1 UNIT MODELS

Units are available with 30" diameter fans and a variety of motor speeds and horsepower. All units are designed for vertical air discharge. Each unit is constructed for the refrigerant and internal working pressure that is indicated on the unit nameplate. All units contain the UL, cUL, and CSA labels to indicate the unit was manufactured using acceptable practices by the governing bodies.



2.2 UNIT DIMENSIONS AND MOTOR AMPS

Figure 1 UNIT DIMENSIONS

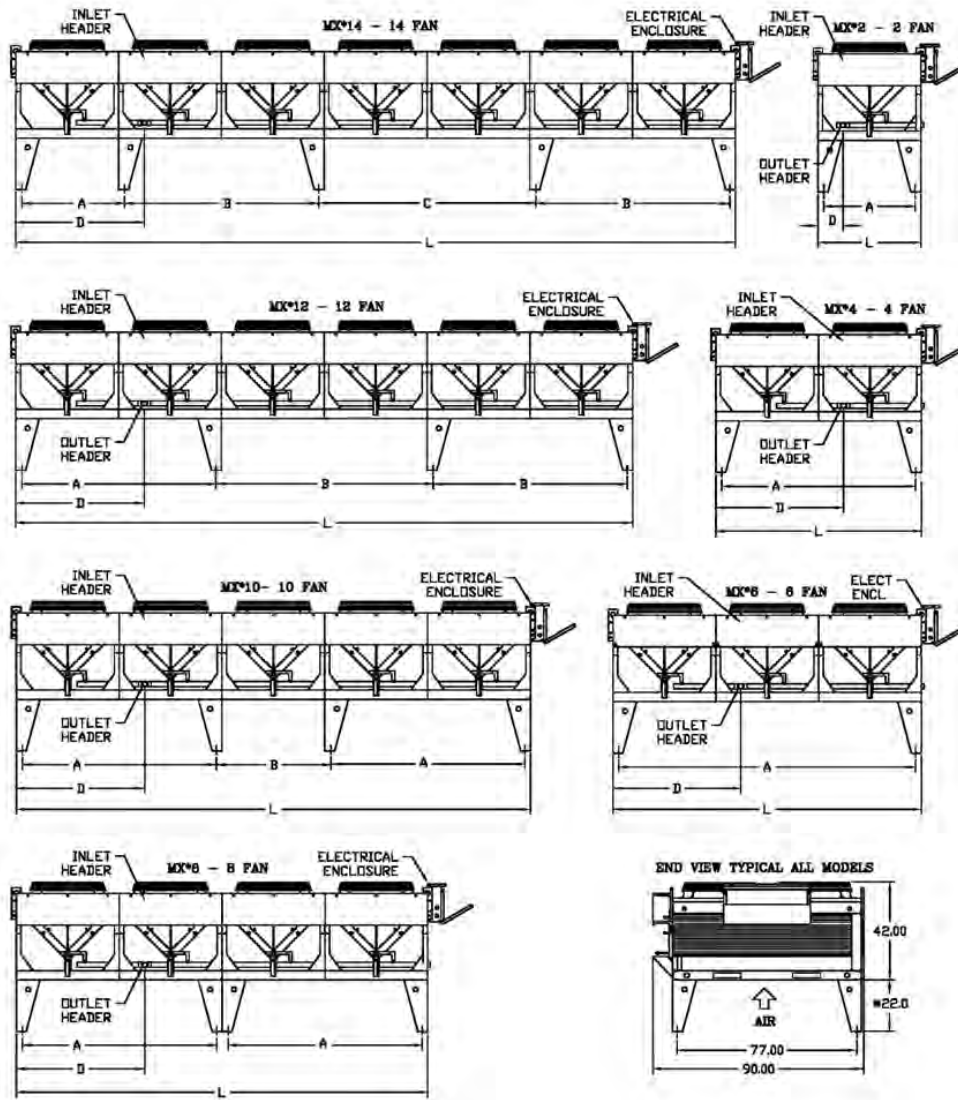


Table 1 UNIT DIMENSIONS

MODEL	DIMENSIONS (inches)						
	L	W	H*	A	B	C	D
MX*-02	44	95	64	39	-	-	11
MX*-04	88	95	64	83	-	-	55
MX*-06	132	95	64	127	-	-	55
MX*-08	176	95	64	83	-	-	55
MX*-10	220	95	64	83	49	-	55
MX*-12	264	95	64	83	93	-	55
MX*-14	308	95	64	44	83	93	55

* A, C, E, F or K

Microchannel Remote Air Cooled Condensers (PN E660159_M)

Figure 2 UNIT DIMENSIONS – K FAN MOTOR MODEL

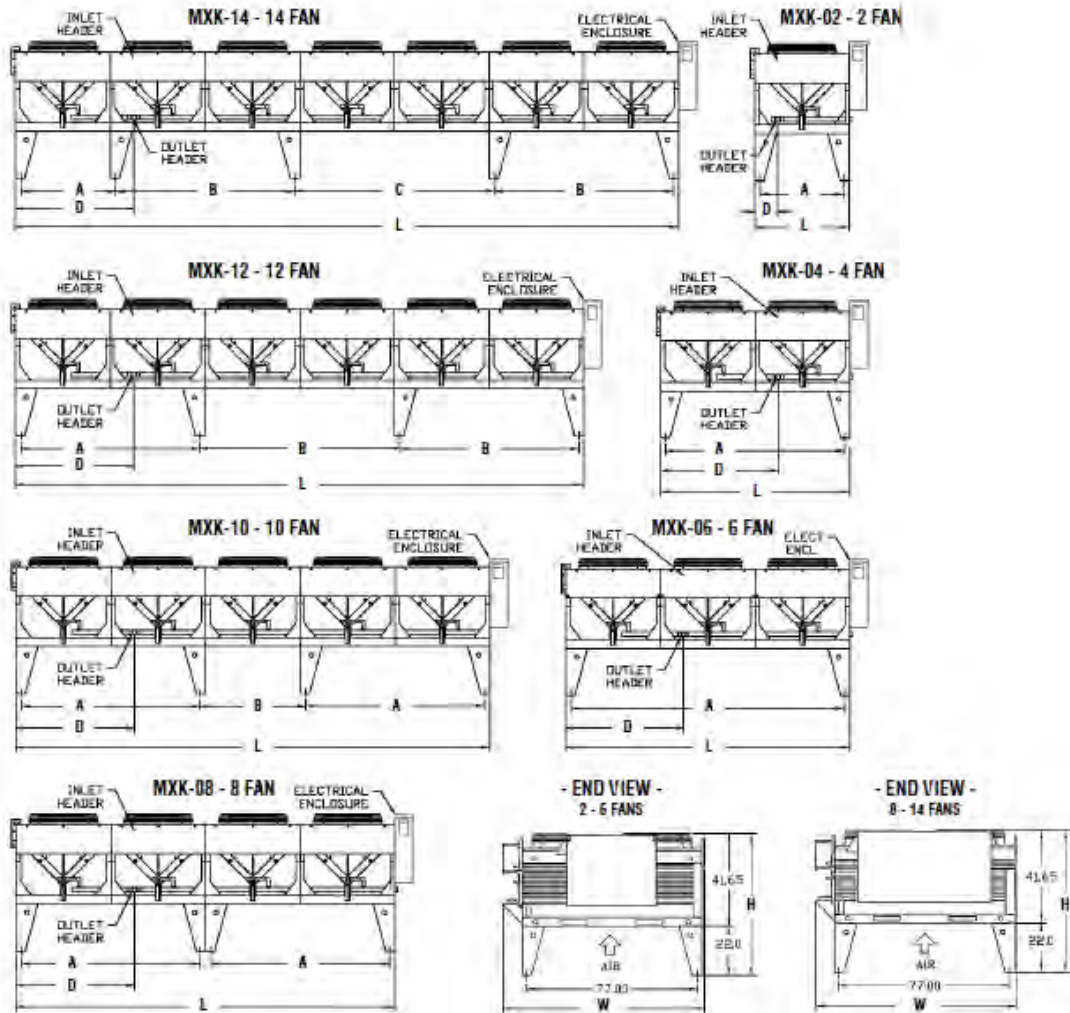


Table 2 UNIT DIMENSIONS

MODEL	DIMENSIONS (inches)						
	L	W	H*	A	B	C	D
MX*-02	44	95	64	39	-	-	11
MX*-04	88	95	64	83	-	-	55
MX*-06	132	95	64	127	-	-	55
MX*-08	176	95	64	83	-	-	55
MX*-10	220	95	64	83	49	-	55
MX*-12	264	95	64	83	93	-	55
MX*-14	308	95	64	44	83	93	55

* A, C, E, F or K

Note: K motor units come with a nonstandard control panel that is 3 inches deeper than the standard panel. All the other dimensions are the same as the ones for the standard units.

Figure 3 UNIT DIMENSIONS – STANDARD FAN MOTOR MODEL

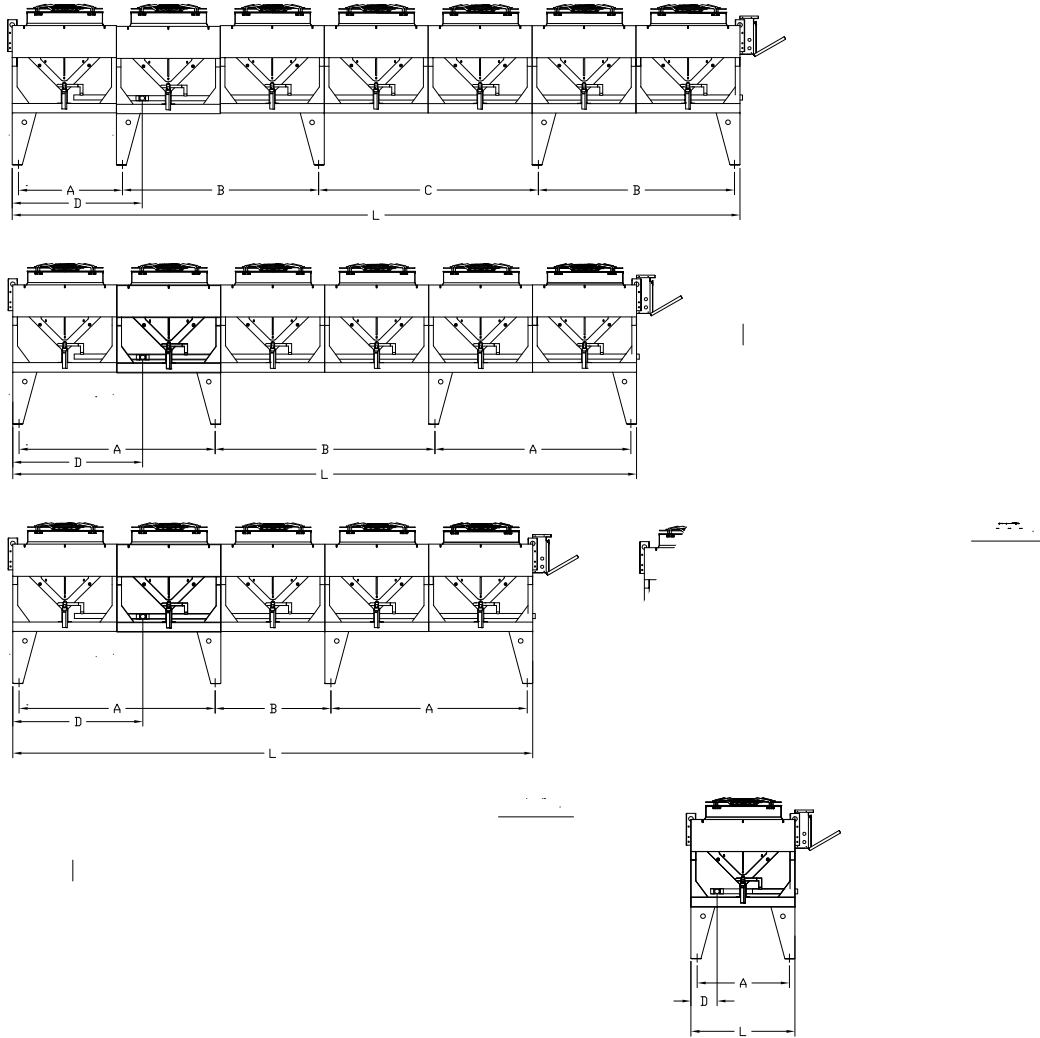
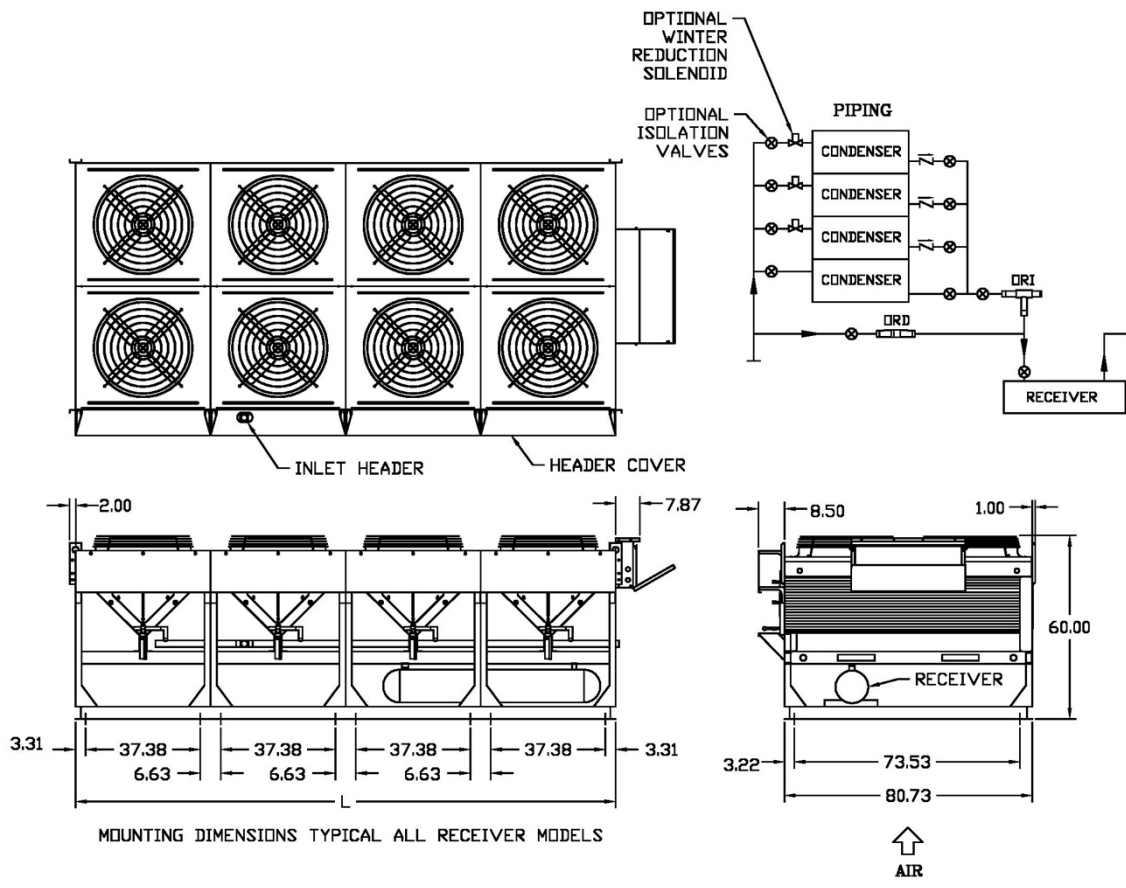


Table 3 UNIT DIMENSIONS

MODEL	DIMENSIONS (inches)						
	L	W	H*	A	B	C	D
MXH-02	44	95	67	39	-	-	11
MXH-04	88	95	67	83	-	-	55
MXH-06	132	95	67	127	-	-	55
MXH-08	176	95	67	83	-	-	55
MXH-10	220	95	67	83	49	-	55
MXH-02	264	95	67	83	93	-	55

Figure 4 UNIT DIMENSIONS WITH MOUNTED RECEIVER



2.3 UNIT MOTOR AMPS

The following table contains the motor amps for the available fan motors.

Table 4 UNIT FULL LOAD MOTOR AMPS

MX MODEL	RPM	HP	FAN MOTORS TOTAL FULL LOAD AMPS			
			208-230/3/60	380/3/50	460/3/60	575/3/60
MXE-02	575	0.5	6.8	2.8	3.2	2.9
MXE-04			13.6	5.6	6.4	5.8
MXE-06			20.4	8.4	9.6	8.7
MXE-08			27.2	11.2	12.8	11.6
MXE-10			34.0	14.0	16.0	14.5
MXE-12			40.8	16.8	19.2	17.4
MXE-14			47.6	19.6	22.4	20.3
MXA-02	850	1	9.6	4.6	4.8	3.6
MXA-04			19.2	9.2	9.6	7.2
MXA-06			28.8	13.8	14.4	10.8
MXA-08			38.4	18.4	19.2	14.4
MXA-10			48.0	23.0	24.0	18.0
MXA-12			57.6	27.6	28.8	21.6
MXA-14			67.2	32.2	33.6	25.2
MXC-02	850	1.5	13.8	5.8	6.6	5.0
MXC-04			27.6	11.6	13.2	10.0
MXC-06			41.4	17.4	19.8	15.0
MXC-08			55.2	23.2	26.4	20.0
MXC-10			69.0	29.0	33.0	25.0
MXC-12			82.8	34.8	39.6	30.0
MXC-14			96.6	40.6	46.2	35.0
MXF-02	1140	1.5	10.8	4.2	5.0	5.0
MXF-04			21.6	8.4	10.0	10.0
MXF-06			32.4	12.6	15.0	15.0
MXF-08			43.2	16.8	20.0	20.0
MXF-10			54.0	21.0	25.0	25.0
MXF-12			64.8	25.2	30.0	30.0
MXF-14			75.6	29.4	35.0	35.0
MXK-02	1140	1.5	10.8	7.6	6.0	N/A
MXK-04			21.6	15.2	12.0	N/A
MXK-06			32.4	22.8	18.0	N/A
MXK-08			43.2	30.4	24.0	N/A
MXK-10			54.0	38.0	30.0	N/A
MXK-12			64.8	45.6	36.0	N/A
MXK-14			75.6	53.2	42.0	N/A

2.4 UNIT WEIGHTS, SOUND AND REFRIGERANT CHARGES

The following table contains approximate unit shipping weights and refrigerant charges. The Summer Charge is based on 25% of condenser volume with 86°F liquid. The Winter Charge is based on 90% of condenser volume with -20°F liquid.

Table 5 UNIT WEIGHTS, SOUND AND REFRIGERANT CHARGES

MX MODEL	Sound Pressure dB @ 10 ft	Summer Operating Charge R-404A (lbs.)	Additional Winter Flooding Charge* R-404A (lbs.)	Shipping Unit Weight** (lbs.)	Shipping Unit Weight w/receiver *** (lbs.)
MXE-02	55	4	12	560	N/A
MXE-04	58	15	26	1,170	1,780
MXE-06	59.8	23	40	1,705	2,420
MXE-08	61	40	55	2,280	3,190
MXE-10	62	52	70	2,850	3,860
MXE-12	62.8	80	88	3,385	4,500
MXE-14	63.4	108	119	3,920	5,200
MXA-02	65.9	4	12	560	N/A
MXA-04	68.9	15	26	1,170	1,780
MXA-06	70.7	23	40	1,705	2,420
MXA-08	71.9	40	55	2,280	3,190
MXA-10	72.9	52	70	2,850	3,860
MXA-12	73.7	80	88	3,385	4,500
MXA-14	74.3	108	119	3,920	5,200
MXC-02	67.4	4	12	560	N/A
MXC-04	70.4	15	26	1,170	1,780
MXC-06	72.2	23	40	1,705	2,420
MXC-08	73.4	40	55	2,280	3,190
MXC-10	74.4	52	70	2,850	3,860
MXC-12	75.2	80	88	3,385	4,500
MXC-14	75.8	108	119	3,920	5,200
MXF-02	74.5	4	12	560	N/A
MXF-04	77.5	15	26	1,170	1,780
MXF-06	79.3	23	40	1,705	2,420
MXF-08	80.5	40	55	2,280	3,190
MXF-10	81.5	52	70	2,850	3,860
MXF-12	82.3	80	88	3,385	4,500
MXF-14	80	108	119	3,920	5,200
MXK-02	74.5	4	12	575	N/A
MXK-04	77.5	15	26	1193	1,803
MXK-06	79.3	23	40	1736	2,451
MXK-08	80.5	40	55	2320	3,230
MXK-10	81.5	52	70	2898	3,908
MXK-12	82.3	80	88	3441	4,556
MXK-14	80	108	119	3984	5,264

* Additional Winter Flooding Charge shown is without Module Isolation / Reduction.

** Unit weight includes "Ship Loose" leg weights.

*** Unit weight includes frames, valves and piping.

3 UNIT LOCATION

The Microchannel units require adequate space to allow unrestricted ambient airflow in to and out of the fan section. Figure 4 gives general rules of the location of an air-cooled condenser in different situations. The distances shown in the sketches should be increased whenever possible. The unit position relative to the prevailing winds should be considered. Note that higher than expected head pressures will result in poor system operation if the following suggested distances are not used.

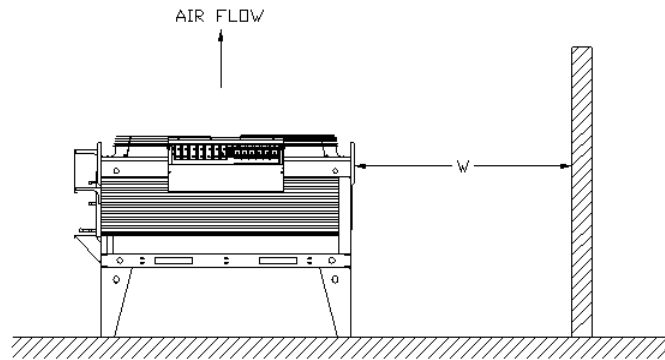
So that the unit performs as predicted, it should be located away from heated air exhausts, steam vents, or corrosive airflow whether it comes from the job site or from another nearby source. A corrosive atmosphere will require an appropriate coil coating or copper fins to protect the coil and extend the life of the unit.

Unit location with regard to noise should also be considered. An air-cooled condensing unit should be located away from noise and vibration sensitive spaces to avoid transmission into workspaces.

Figure 5 LOCATION REQUIREMENTS

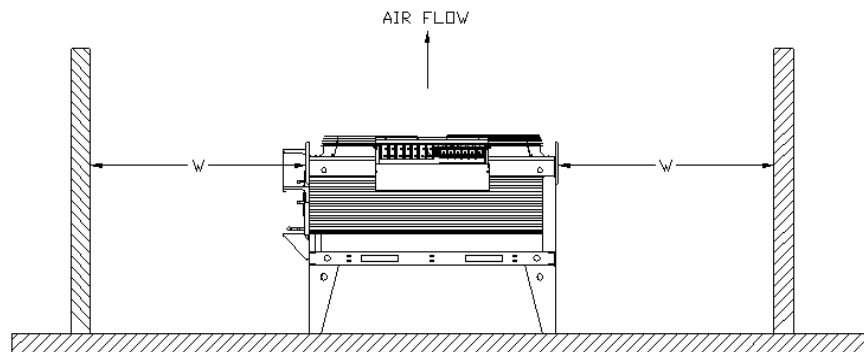
Walls or Barriers

For proper airflow and access, all sides of the unit should be a minimum of “W” away from any wall or barrier. Enough space should be allowed for all maintenance work. Overhead obstructions are not allowed.



Decorative Fences

Fences must have 50% free area, with 1 foot undercut, a “W” minimum clearance, and must not exceed the top of the unit.



W = Total width of the air-cooled condensing unit.

4 RIGGING

The Microchannel units are designed to be lifted using the leg support channels. The unit mounting leg assemblies are best attached when the unit is in the flat, fans facing up, and supported by the rigging. Take special care not to bump, hit, or otherwise stress the tubing, headers, or connections during the lifting and positioning of the unit. Under no circumstances should the coil headers be used in lifting or moving the unit. See Figure 5 for the designated lifting points and lift methods for all unit sizes. See Table 2 for approximate unit weights.

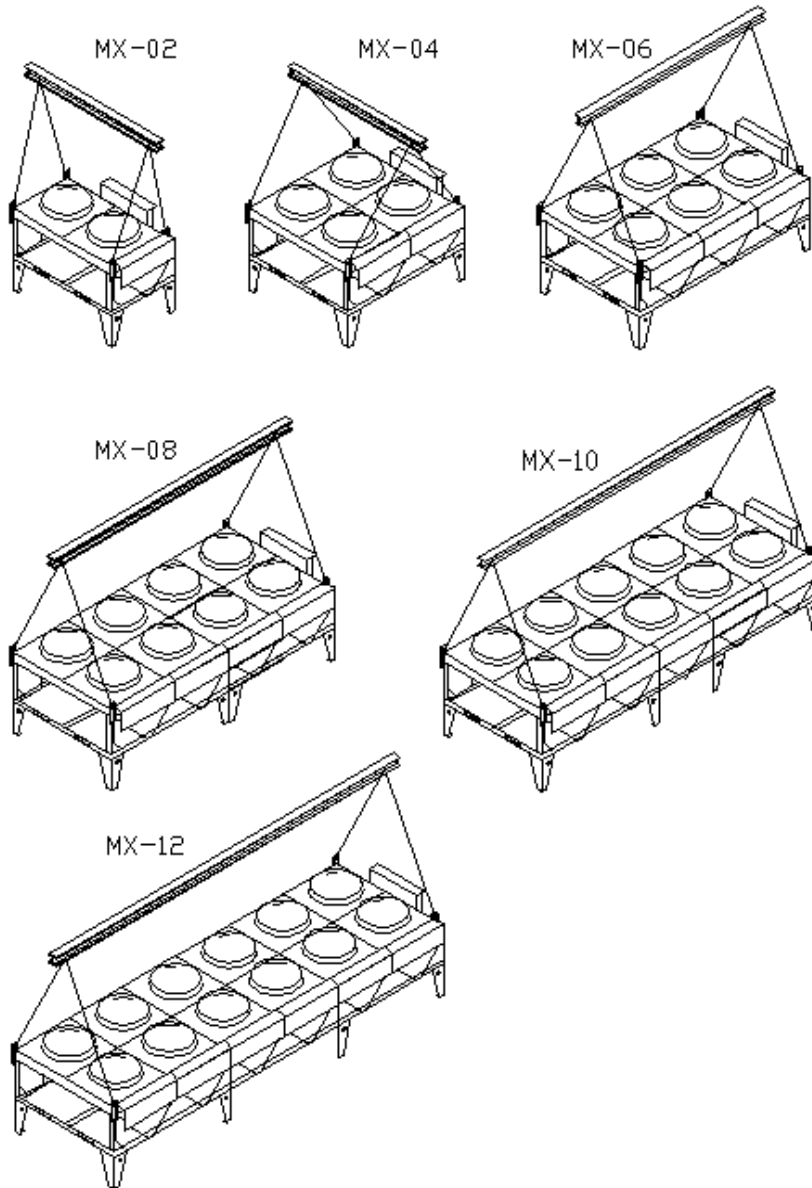


Figure 6 RIGGING

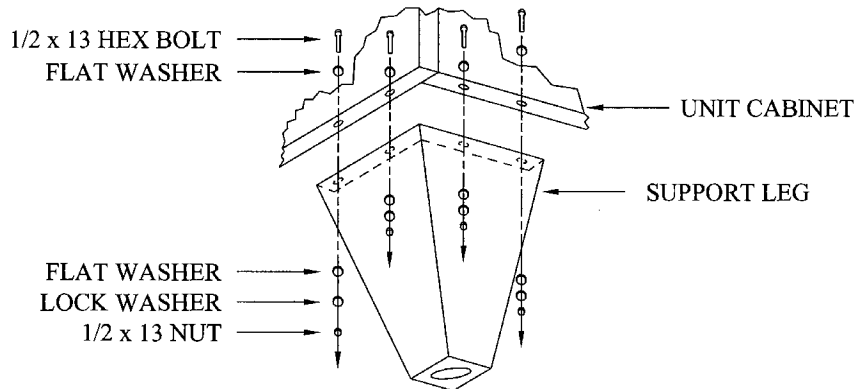
STATIONARY LIFTING POINTS FACTORY MOUNTED. OUTER SUPPORT LEGS (IF REQUIRED) SHIPPED LOOSE FOR FIELD INSTALLATION BY OTHERS WITH NECESSARY BOLTS, WASHERS AND NUTS INCLUDED (SEE SECTION 5.1 FOR LEG MOUNTING INSTRUCTIONS). UNDER NO CIRCUMSTANCES SHOULD CONDENSER MANIFOLDS OR THE ELECTRICAL ENCLOSURE BE USED FOR LIFTING OR MOVING THE UNITS!

5 UNIT ASSEMBLY

5.1 LEG ASSEMBLY

For Microchannel fans that will blow air in a vertical direction, the unit is supported by formed, mill galvanized, channel legs that provide a standard 22" of clearance from the bottom of the leg to the bottom of the coil section. Install the legs on the unit before rigging the unit into place with the hardware provided with the unit. If extended legs are ordered to provide additional clearance, the leg attachment is the same as the standard leg.

Figure 7 STANDARD LEGS ASSEMBLY



6 INSTALLATION AND PIPING

6.1 MOUNTING THE UNIT

The unit must be installed on a firm, level base to assure optimum unit performance. The mounting legs should be securely fastened at their base to the steel or concrete of the supporting base. For roof mounted installations, the steel supporting base holding the unit should be elevated above the roof and fastened to the columns or load bearing walls of the building.

6.2 REFRIGERATION PIPING

All jobsite refrigeration piping connecting the condenser to the system should conform to the applicable local and state codes as well as to the latest ASIB B9.1 and B31.5 standards. Use the proper pipe sizes for the installation. Follow good commercial piping practices throughout the installation, which includes properly bracing the lines.

Note: The inlet and outlet manifold headers are not designed to support field piping.

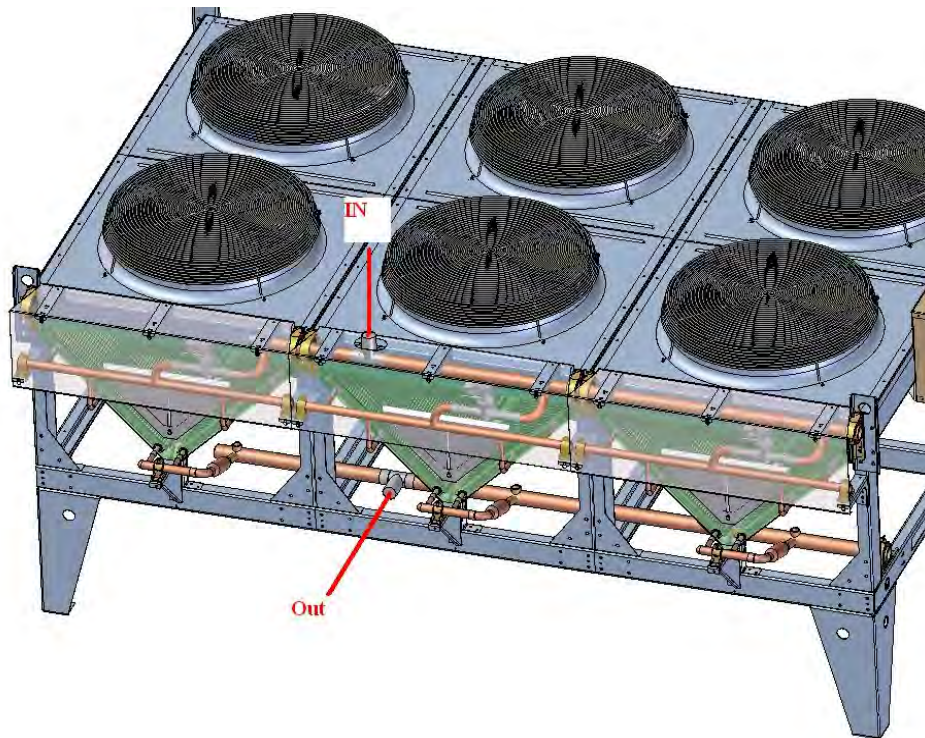
AC&R type copper tubing should be used throughout. Cut tubing with a wheel-type cutter and not a hacksaw. Deburr before assembly in the fittings. NOTE: if the onsite tubing lengths to be used were not capped (i.e., are not perfectly clean) they should be dragged internally with a clean, lint-free rag before fabricating into the system. Soft solders are not to be used. Always clean all pipe and fitting areas that will be brazed with the proper grade emery cloth. Plan to use only oxy-acetylene brazing. A higher content silver brazing rod must be used to avoid excessive use of flux, less it be pushed into the system piping, which will create problems later. Use a silver solder which contains sufficient silver content necessary for joint strength and flexibility yet requires minimum use of flux. For copper-to-copper joints, use a phos-copper solder with 15% silver content. Some easy-flow types require no flux, and the resultant joints are of maximum strength without brittleness. Nitrogen should be used to purge the air from the connecting tubing during brazing in order to prevent copper oxide formations.

A pressure tap valve should be installed at the highest point in the condenser inlet piping run to facilitate the removal of inadvertently trapped non-condensable gases from the system. The purging process should only be done with the compressor system off and pressures equalized. Do not endeavor to do this unless you are qualified and have the proper reclaim/recovery equipment mandated by the EPA.

Under sizing connecting lines will cause several problems in the refrigeration system. High pressure drop in the discharge line takes away from the system's capacity as well as resulting in excessive power usage.

Sizing a discharge line too large will inhibit compressor lube oil circulation. The proper balance is to design discharge lines for approximately 4000 ft/min velocity in vertical risers and can be lowered to 2000 ft/min in sloped horizontal runs. "P" traps should be installed at the base of all vertical discharge riser lines to facilitate proper oil return to the compressor. This is especially true immediately downstream of the compressor in order to prevent refrigerant liquid and/or oil migrating back into the compressor heads when the compressor is not running.

Figure 8 UNIT MOUNTING AND PIPING



High pressure drop in the liquid line can result in the complete reduction of the liquid sub cooling, thus causing flash gas at the expansion valve. Coil starving and reduced capacity will be the result. Liquid lines can also be misapplied if sized too large. The sizing affects the oil-to-refrigerant mixture ratio as well as necessitating charging the system with an excessive amount of refrigerant. Proper sizing of both the discharge and liquid lines is a necessity for a properly working system. A line sizing guide is available on Hussmann's website to assist with this process.

Generally, horizontal piping runs should grade slightly downwards in the direction of flow. Liquid line piping must be arranged so that it is free draining from the condenser to the receiver. It is best to pipe liquid lines so that there is an immediate drop of 2 to 3 feet at the condenser outlet before any field headering or horizontal run. The liquid line must be free of any traps or loops and constantly be pitched downhill towards the receiver. Avoid long horizontal lines on roofs. The liquid line is to be sized so the velocity does not exceed 100 feet per minute. Where the ambient temperature can be below the

equipment room temperature, a check valve must be installed in the liquid line to prevent liquid migration at the condenser.

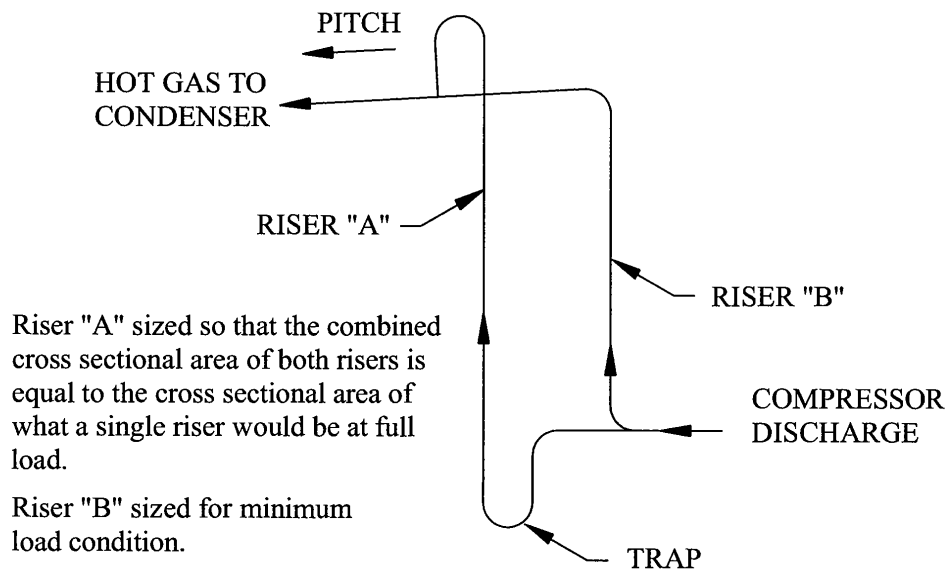
Provisions must be made to accommodate expansion and contraction of the lines, especially if the lines have long runs with few elbows or bends. The lines must also be adequately supported at frequent intervals in accordance with good piping practice. It is necessary that field bracing provide adequate support at the condenser connections.

Special precautions must be taken if the refrigeration system is a multiple parallel and/or the condenser is mounted substantially higher than the compressor unit. A double riser discharge line should be used as shown in Figure 8. Such arrangement is necessary to facilitate compressor lube oil return to the compressor crankcase.

Pressure testing of the piping should be done as soon as the field piping has been completed. The high-side test pressure should not exceed the condenser unit UL nameplated pressure. Nitrogen may be used to increase the trace refrigerant pressure for leak testing. It is recommended that an electronic type leak tester be used. Shipping vibrations can stress joints, thus producing operating leaks that would otherwise go undetected from just a low-pressure holding charge. Therefore, check for leaks at all joints, field and factory, before charging the system.

NOTE: If automatic isolating valves are used to shut down modules of the condenser during winter operation, precautions must be employed to eliminate hydraulic shock when the valves are opened for warmer weather operation. This supplementary valving must not be supported from or by the condenser header(s).

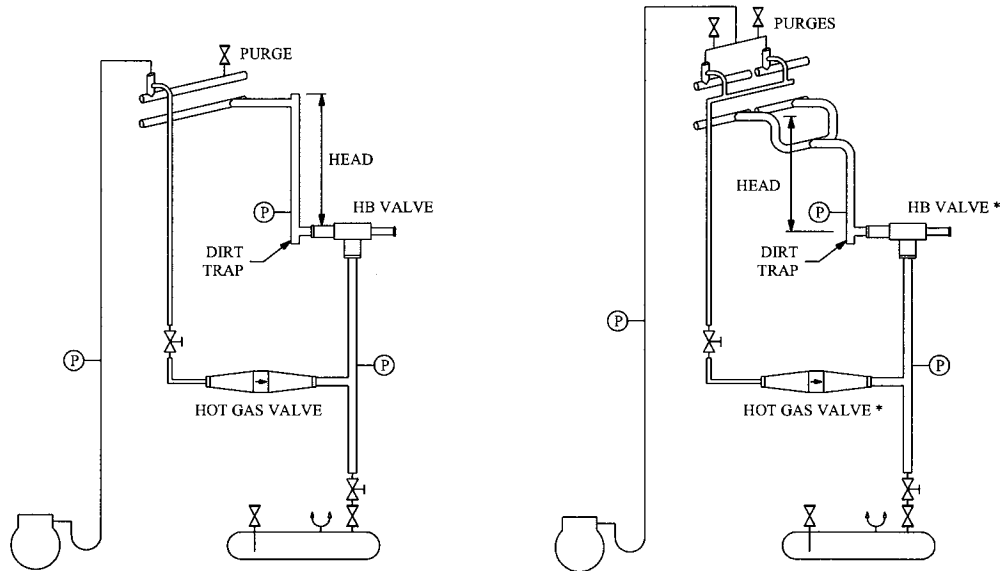
Figure 9 DOUBLE RISER DISCHARGE ARRANGEMENT



6.3 HOLDBACK FLOODING CONTROL

Figure 9 shows typical piping drawings for flooding control arrangements of Microchannel condensers.

Figure 10 HOLDBACK FLOODING CONTROL ARRANGEMENTS



* LARGER CAPACITY SYSTEMS MAY REQUIRE MULTIPLE VALVES IN PARALLEL

7 ELECTRICAL



If the Microchannel unit is equipped with an electrical power disconnect switch make sure the switch is in the “OFF” position, preferably locked in this position, before any electrical work is performed to the unit.

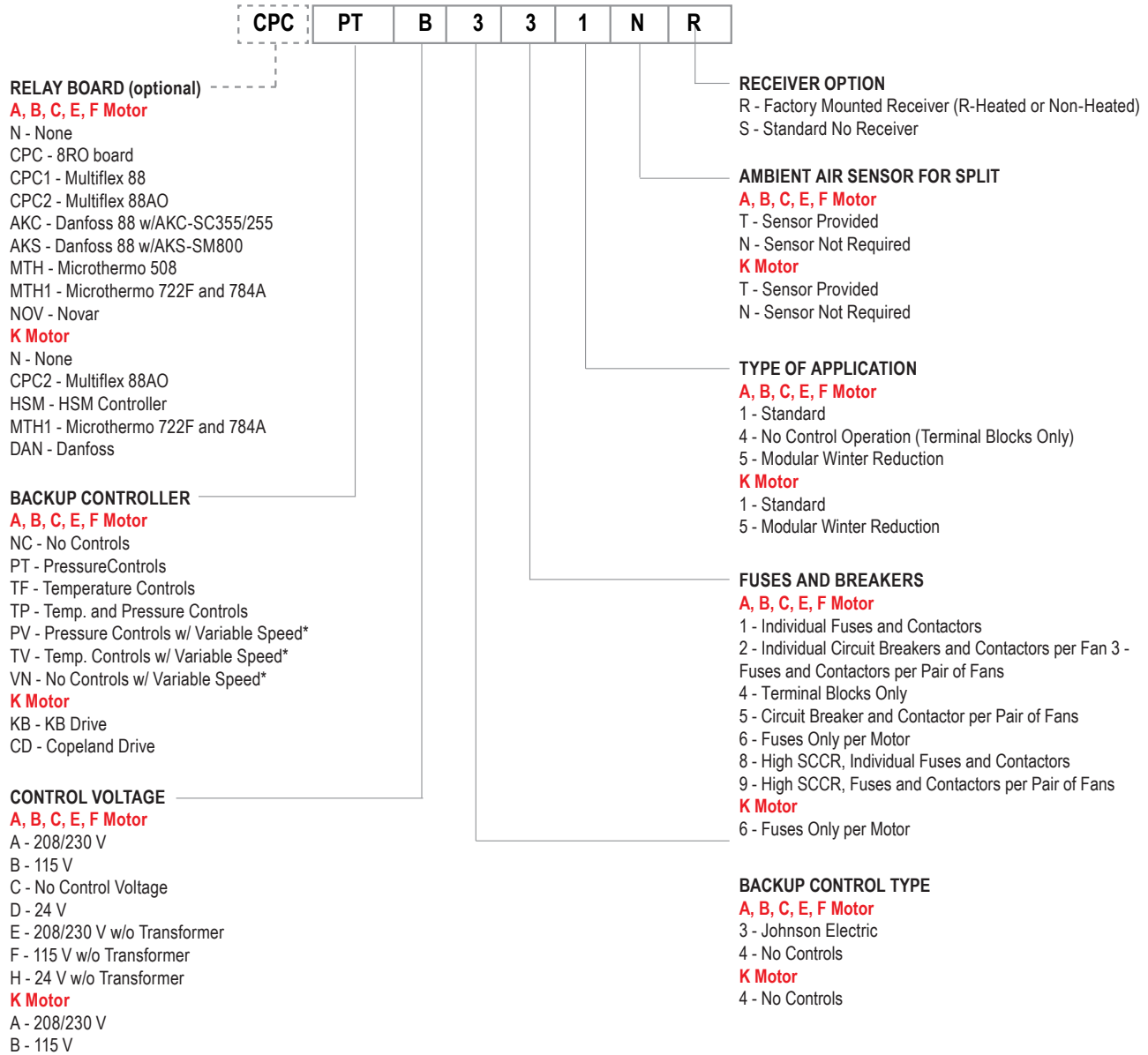
The Microchannel unit can be arranged at the factory so that each motor is wired to individual terminal blocks, in which case each motor requires individual power wiring, or the motors can be wired to a fan cycling control panel which requires only one set of power wires. The fan cycling control panel can consist of a series of pressure/temperature controllers or a printed circuit board. See the electrical drawing that accompanies the unit for details.

Check fan blade clearances within the venturers' so that each fan is horizontally centered in the venturi. Fan motors operating at higher elevations will draw lower than rated amps, as well as draw a less effective air volume across the coil surface. This is due to the reduced density of the higher altitude air resulting in higher compressor discharge pressure along with reduced unit capacity. Consult factory if you suspect this situation.

7.1 FIELD WIRING

Field wiring should comply with NEC and local codes. The power supply voltage, phase, and frequency must match what is shown on the unit data plate. Only qualified electricians should work on the electrical portion of any unit installation.

Control Panel Nomenclature



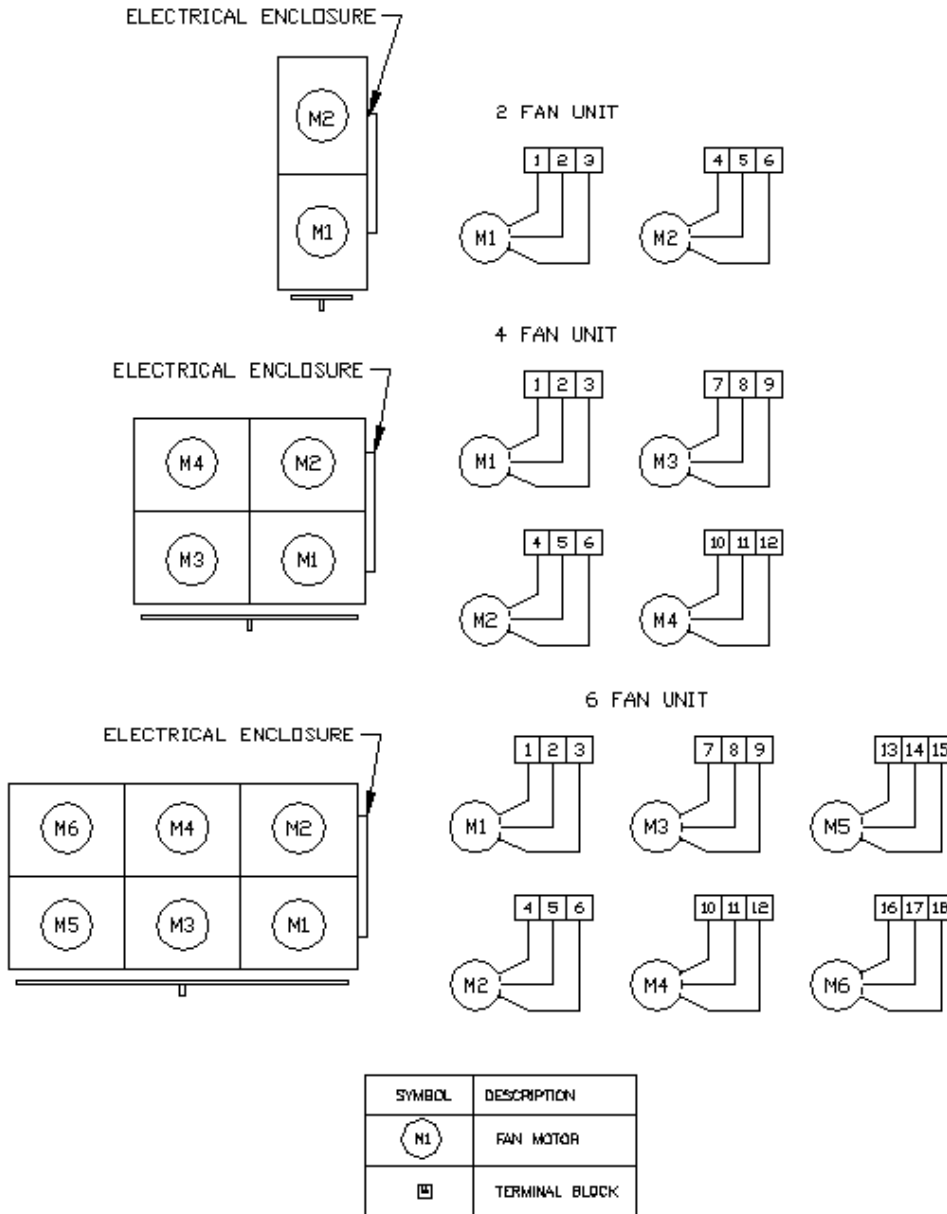
* Variable Speed - Header End Fans only

7.2 MOTORS WIRED TO TERMINAL BLOCKS

Figure 10 shows typical unit wirings to terminal blocks. Fan motors are turned on and off by controls outside of the unit.

Figure 11 TERMINAL BLOCK ONLY WIRING DIAGRAMS (NC – C444)

The first motor (M1) must always be energized while the compressor is running.



7.3 MOTORS WIRED TO STANDARD FAN CYCLING CONTROL PANEL

The standard fan cycling control panel for Microchannel units contains a series of pressure or temperature controllers. The fans will cycle on and off from the signal by the pressure transducer or temperature sensor. Each module has two rows of fans, therefore, adjoining pairs of fans can be cycled depending upon the system requirements. **The first fan must fan (M1) must always be energized while the compressor is running.** The second fan (M2) nearest the electrical enclosure is the first-on and last-off.

Figure 12 INDIVIDUAL FAN MOTOR WIRING DIAGRAM (-311, -315, -411, -415)

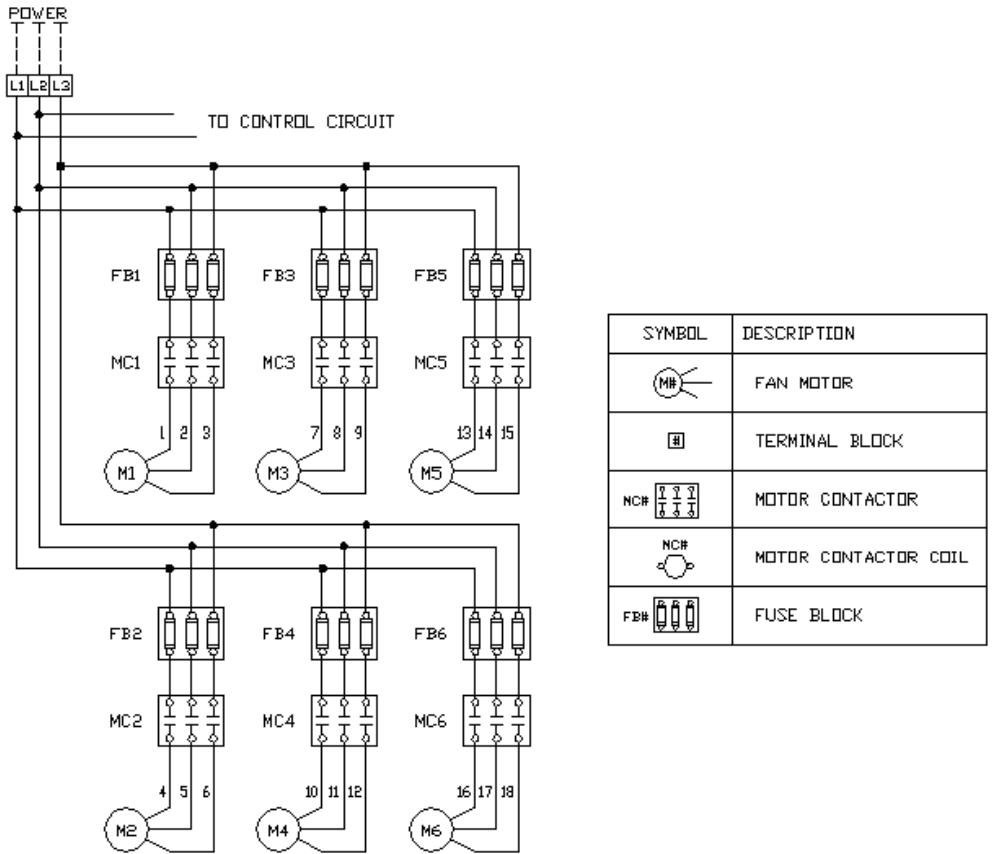


Figure 13 FAN MOTOR CYCLING WITH FUSES AND CONTACTORS IN PAIRS (-331)

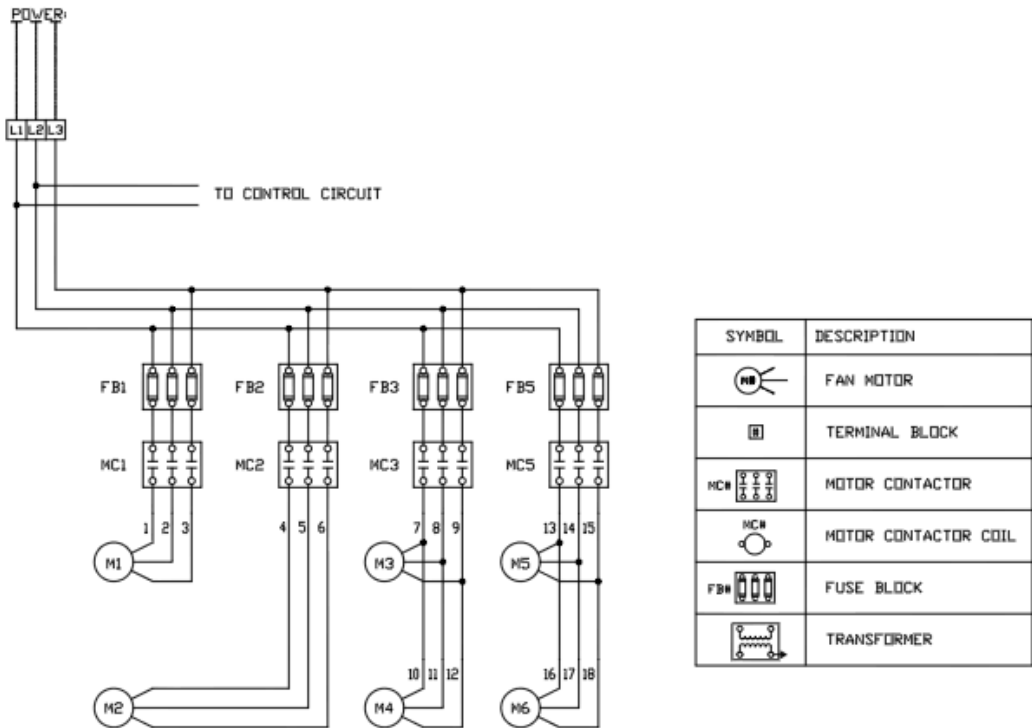
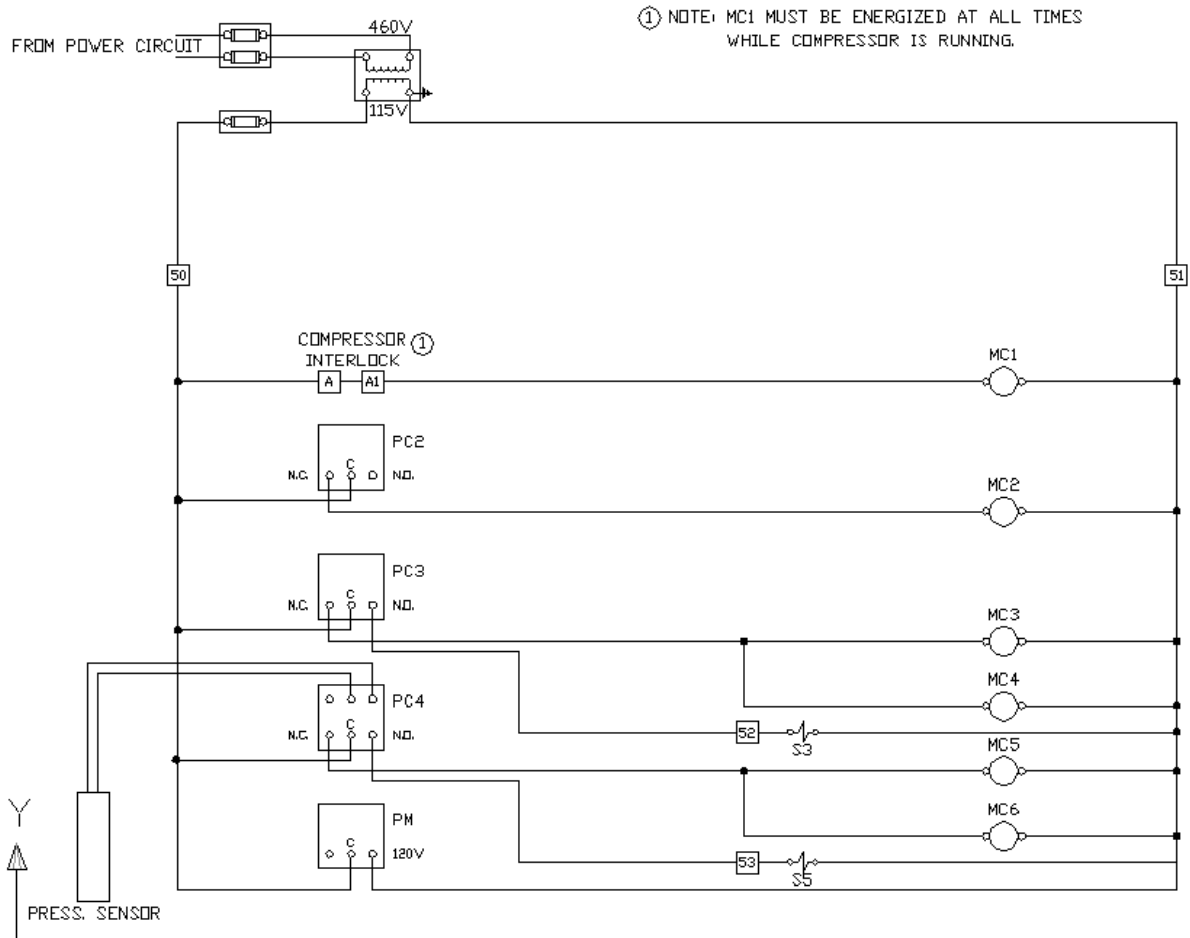


Figure 14 CONTROL CIRCUIT WIRING DIAGRAM (-315)



SYMBOL	DESCRIPTION
	FUSE BLOCK
	TRANSFORMER
	TERMINAL BLOCK
	MOTOR CONTACTOR COIL
	PC# PRESSURE CONTROL MODULE P352AB-1
	PC# PRESSURE CONTROL STAGE MODULE S352AA-1
	PM POWER MODULE Y350R-1
	S# OPTIONAL MODULAR WINTER REDUCTION

7.4 FAN CYCLE OPERATION

The standard control scheme is to cycle fans in pairs per module except for the first module whereas each fan is controlled individually with the **number one fan being interlocked to the compressor and must remain on whenever the compressor is running**. The number 2 fan and each module (bank of fans) afterwards will cycle on and off according to either pressure or temperature control, with the fans furthest from the electrical enclosure cycling off first. This cycling is maintained through either factory provided controls or vendor supplied boards.

Care must be used by the engineer or installing contractor to monitor and make adjustments to prevent the fans from cycling too often or to cycle more than one bank of fans at the same time. Short cycling or erratic fan cycling over extended periods of time will cause additional thermal stress to the Microchannel tubes and increase the potential for leaks in the coil.

It is recommended that the units be purchased with the winter isolation solenoid valves. With solenoids the refrigerant flow to that specific module is cut off as the fans power down ensuring proper refrigerant flow.

Note: Do not set fans to cycle-on more than 240 times per day, or lower than a minimum of 40psi discharge pressure differential swing. The maximum short cycling frequency is three minutes on, three minutes off.

7.5 CONTROL SETTINGS

Tables 4 & 5 contain the settings to which the control panel components are set for the ordered application. Table 4 contains the settings for pressure sensing controls and Table 5 contains the settings for temperature setting controls. If a type of control other than the Johnson 350 series controller is used, such as a printed circuit board or variable speed, consult the wiring schematic for the unit ordered. Ensure that the number one fan remains on whenever the compressor is running.

7.6 TEMPERATURE SENSOR

For units that use a temperature sensor as input into the fan controls, the sensor will be factory wired, but shipped inside the control panel to prevent damage during transportation. Once the unit is mounted in the final position open the control panel, unroll the temperature sensor wire and field mount the sensor in the inlet air stream 3+ inches away from the fin pack.

7.7 FIELD INSTALLED VARIABLE FREQUENCY DRIVES - VFD

For field installed variable frequency drives it is recommended that all fans ramp up and down at once. **The motors should not be driven down below 15 HZ and ensure the number one fan remains on when the compressor is running.**

Table 6 CONTROL PANEL SETTINGS – PRESSURE SENSING

PRES CNTL ONLY - FIRST FAN COMP INTERLOCK								
BASED ON R404A								
	1 MOD	1 MOD	2 MOD	3 MOD	4 MOD	5 MOD	6 MOD	7 MOD
MTR	MC1	MC2	MC4 & MC5	MC5 & MC6	MC7 & MC8	MC9 & MC10	MC11 & MC12	MC13 & MC14
CNTL	P1	P2	P3	P4	P5	P6	P7	P8
SET		240						
OFFSET	F	-						
DIFF	A	40						
FAN ON	N	240						
FAN OFF	S	200						
SET		-	250					
OFFSET	R	10	-					
DIFF	U	40	40					
FAN ON	N	240	250					
FAN OFF		200	210					
SET	W	-	-	250				
OFFSET	I	15	10	-				
DIFF	T	40	40	40				
FAN ON	H	235	240	250				
FAN OFF		195	200	210				
SET	C	-	-	-	250			
OFFSET	O	20	15	10	-			
DIFF	M	40	40	40	40			
FAN ON	P	230	235	240	250			
FAN OFF	R	190	195	200	210			
SET	E	-	-	-	-	250		
OFFSET	S	25	20	15	10	-		
DIFF	S	40	40	40	40	40		
FAN ON	O	225	230	235	240	250		
FAN OFF	R	185	190	195	200	210		
SET		-	-	-	-	-	250	
OFFSET		30	25	20	15	10	-	
DIFF		40	40	40	40	40	40	
FAN ON		220	225	230	235	240	250	
FAN OFF		180	185	190	195	200	210	
SET		-	-	-	-	-	-	250
OFFSET		35	30	25	20	15	10	-
DIFF		40	40	40	40	40	40	40
FAN ON		215	220	225	230	235	240	250
FAN OFF		175	180	185	190	195	200	210

NOTES:

MOTOR CONTACTORS WIRED TO "NC" CONTACT OF PRESSURE CONTROL.

PRESSURE CONTROL SET IN "REVERSE" MODE. SEE WIRING DIAGRAM IN UNIT CONTROL PANEL.

Table 7 CONTROL PANEL SETTINGS – TEMPERATURE SENSING

TEMP CNTL ONLY - FIRST FAN COMPRESSOR INTERLOCK								
	1 MOD	1 MOD	2 MOD	3 MOD	4 MOD	5 MOD	6 MOD	7 MOD
MTR	MC1	MC2	MC4 & MC5	MC5 & MC6	MC7 & MC8	MC9 & MC10	MC11 & MC12	MC13 & MC14
CNTL	T1	T2	T3	T4	T5	T6	T7	T8
SET		60						
OFFSET	F	-						
DIFF	A	20						
FAN ON	N	60						
FAN OFF	S	40						
SET		-	65					
OFFSET	R	10	-					
DIFF	U	10	10					
FAN ON	N	55	65					
FAN OFF		45	55					
SET	W	-	-	65				
OFFSET	I	15	10	-				
DIFF	T	5	5	5				
FAN ON	H	50	55	65				
FAN OFF		45	50	60				
SET	C	-	-	-	70			
OFFSET	O	20	15	10	-			
DIFF	M	5	5	5	5			
FAN ON	P	50	55	60	70			
FAN OFF	R	45	50	55	65			
SET	E	-	-	-	-	75		
OFFSET	S	25	20	15	10	-		
DIFF	S	5	5	5	5	5		
FAN ON	O	50	55	60	65	75		
FAN OFF	R	45	50	55	60	70		
SET		-	-	-	-	-	80	
OFFSET		30	25	20	15	10	-	
DIFF		5	5	5	5	5	5	
FAN ON		50	55	60	65	70	80	
FAN OFF		45	50	55	60	65	75	
SET		-	-	-	-	-	-	80
OFFSET		30	25	20	15	10	5	-
DIFF		5	5	5	5	5	5	5
FAN ON		50	55	60	65	70	75	80
FAN OFF		45	50	55	60	65	70	75

NOTES:

MOTOR CONTACTORS WIRED TO “NC” CONTACT OF TEMPERATURE CONTROL.
 TEMPERATURE CONTROL SET IN “HEATING” MODE. SEE WIRING DIAGRAM IN UNIT CONTROL PANEL.

8 VARIABLE SPEED CONDENSERS

8.1 OVERVIEW

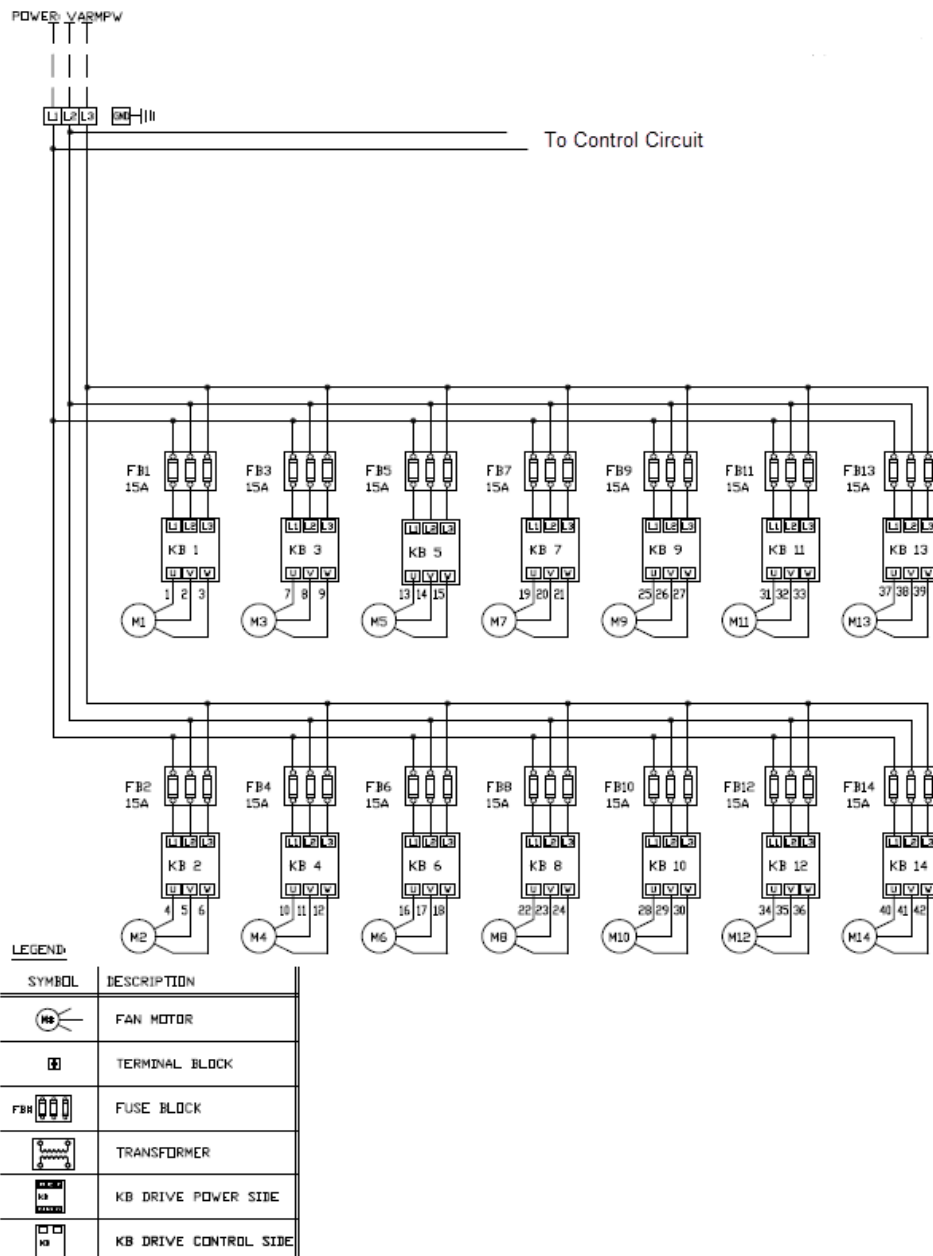
Variable speed condensers use Nidec BPM motors which use KB VFDs. The VFDs come factory mounted in the control panel. Airflow is increased/decreased across the condenser coil surface by modulating variable speed fans to maintain either:

- TD (temperature difference) between condensing temperature / leaving fluid temperature and ambient temperature.
- Fixed discharge pressure.

Split condenser feature, when available in the system, is typically utilized during low ambient conditions to reduce the condenser coil surface area to better maintain the discharge temperature/pressure.

The following figure shows wiring schematics for the drives and motors.

Figure 15 VARIABLE SPEED WIRING DIAGRAM



Microchannel Remote Air Cooled Condensers (PN E660159_M)

8.2 CONTROLLERS

The variable speed condenser is offered with the following controllers:

- Hussmann Controller (JCI PK-OEM1820)
- Emerson Controller (E2 with Multiflex 810-3063 4AO)
- Danfoss Controller (MCX06D)
- Micro Thermo Controller (MT-700 series)

The application on the controllers support following refrigerants selection:

- R-407A
- R-407F
- R-448A (default)
- R-449A
- R-404A
- R-507A
- R-410A

8.2.1 SEQUENCE OF OPERATION

Application utilizes following inputs for the condenser operation:

- Ambient temperature sensor
- Condensing pressure transducer
- Drop-leg temperature sensor
- VFD feedback

Application modulates the variable speed fans using an AO (analog output). During modulation, all fans either ramp up or ramp down simultaneously. The range of AO is defined to be (10 – 0) Vdc, where fans are at:

- Minimum speed when AO is set to 10 Vdc.
- Maximum speed when AO is set to 0 Vdc.

Application allows to either enable or disable the split condenser / winter feature. When available and enabled in the system, the split condenser feature disables half the fans by setting one of the two AOs to 10 Vdc and energizes a split valve using a relay output to alter the flow of the refrigerant through the condenser coil. The remaining half of the fans are still modulated via the selected control strategy.

Following table illustrates the fans and solenoid arrangement on Microchannel system:

Table 8 MICROCHANNEL FANS AND SOLENOID ARRANGEMENT

Number of Fans in MX	AO 1	AO 2	Solenoid
2	2	N/A	N/A
4	2	2	1
6	4	2	1
8	4	4	2
10	6	4	2
12	6	6	3
14	8	6	3

Following guidelines shall assist the field modifications when necessary based on the system performance:

1. Need to move a fan module to split condenser, make modifications at the terminal block to reassign a pair of fans to AO 2 and ignore turning off the refrigerant flow to this module.
2. Need to move a fan module from split condenser, make modifications at the terminal block to reassign a pair of fans to AO 1 and leave the solenoid in de-energized state (Normally Open).

Alarms generated by the application are:

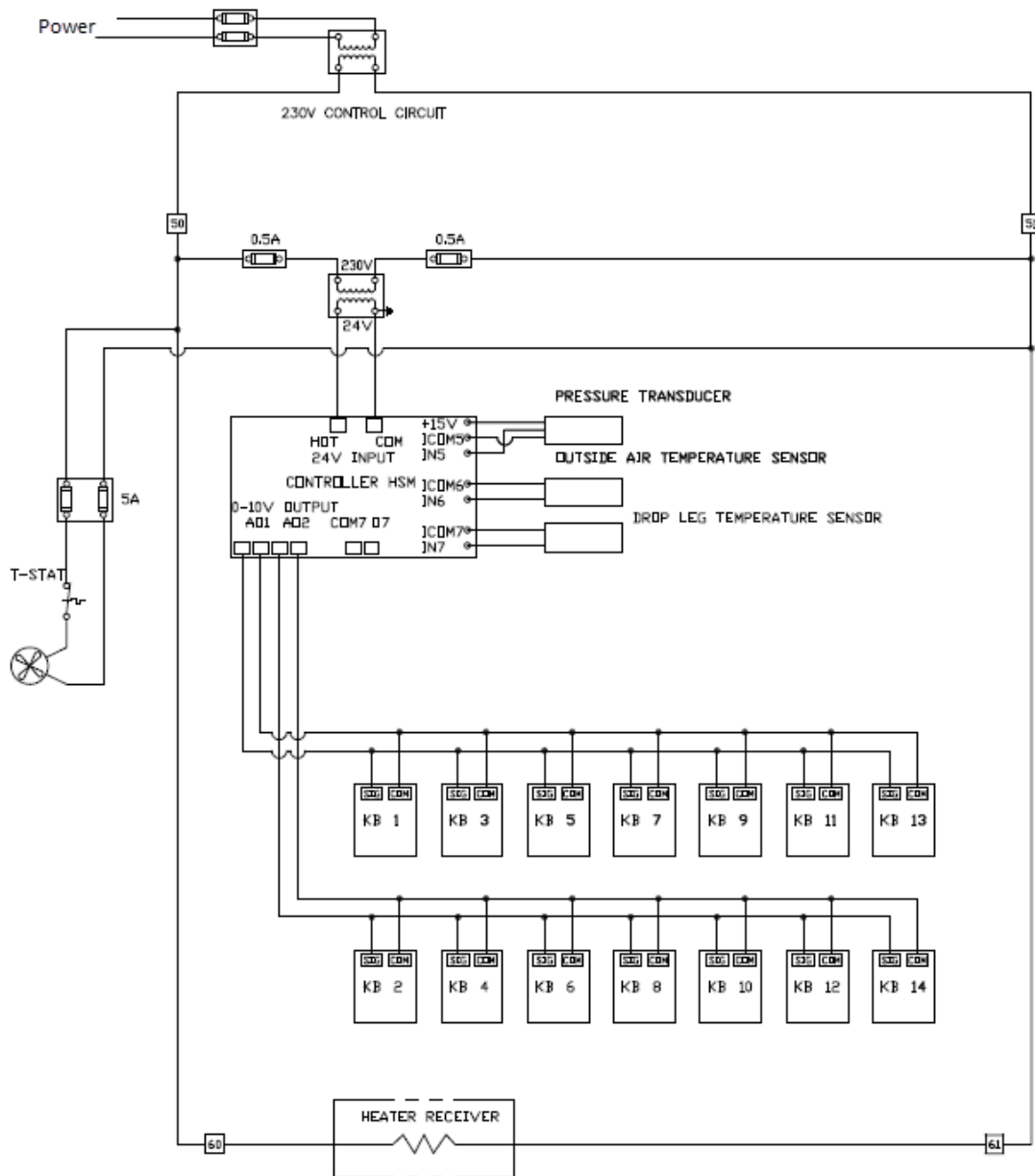
- VFD
- Discharge pressure transducer
- Ambient temperature sensor
- Drop-leg temperature sensor

8.2.2 HUSSMANN CONTROLLER

HS-OEM1820 controller comes factory mounted and can be operated as a standalone application or could be integrated into third party system either through BACnet or MODBUS interfaces.

Following figure shows the controller wiring schematic.

Figure 16 HUSSMANN CONTROLLER WIRING DIAGRAM



8.2.2.1 CONNECTIVITY

The Hussmann controller can be accessed using the following two methods:

- a. Local display on the controller.
- b. Johnson Controls MAP 1810 Gateway.

8.2.2.1.1 HUSSMANN CONTROLLER LOCAL DISPLAY INTERFACE

Utilize the controller display (provided with backlight) to view the system status on the home screen as illustrated in the following figure.

Figure 17 HUSSMANN CONTROLLER LOCAL DISPLAY



Following table provides information regarding indicator lights on the controller.

Table 9 INDICATOR LIGHTS

LED Label	LED Color	Description
POWER	Green	Indicates power is being supplied to the controller or not.
FAULT	Red	Indicates fault condition(s) exists or not.
SA BUS	Green	Indicates the SA bus communication status.
FC BUS	Green	Indicates the FC bus communication status.
MODBUS	Green	Indicates the MODBUS communication status.

Navigation using the keypad buttons

- Access the menu by pressing **ent** button.
- Use the **up** and **down** arrow buttons to scroll through the menu.
- Press **ent** button to select menu items.
- Use the **up** and **down** arrow buttons to scroll through the available setpoints and parameters.
- Press **ent** button to view the current setting or status.
- Use the **up** and **down** arrow buttons to change the setpoint.
- Press **ent** button to confirm setpoint change.
- Press **esc** button to revert back one step at a time.

8.2.2.1.2 MOBILE ACCESS PORTAL (MAP) 1810 GATEWAY

The MAP Gateway is a pocket-sized web server that provides a wireless mobile user interface for Hussmann controller.

- The MAP is physically plugged into a SA port or FC port on the controller using a field bus adapter.
- User interface allows users to access device information through any supported web browser.
- Accessed either over Wi-Fi or an existing Ethernet network on site.

Note: To use the Ethernet port to connect to the MS/TP bus, power must be supplied by an external supply that is not the USB connection or the SA/FC bus connection.

8.2.2.2 COMMISSIONING

The Condenser application increases or decreases the airflow across the condenser coil surface by modulating condenser variable speed fans via analog output(s) based on either a fixed discharge pressure control strategy or condenser temperature differential (TD) strategy.

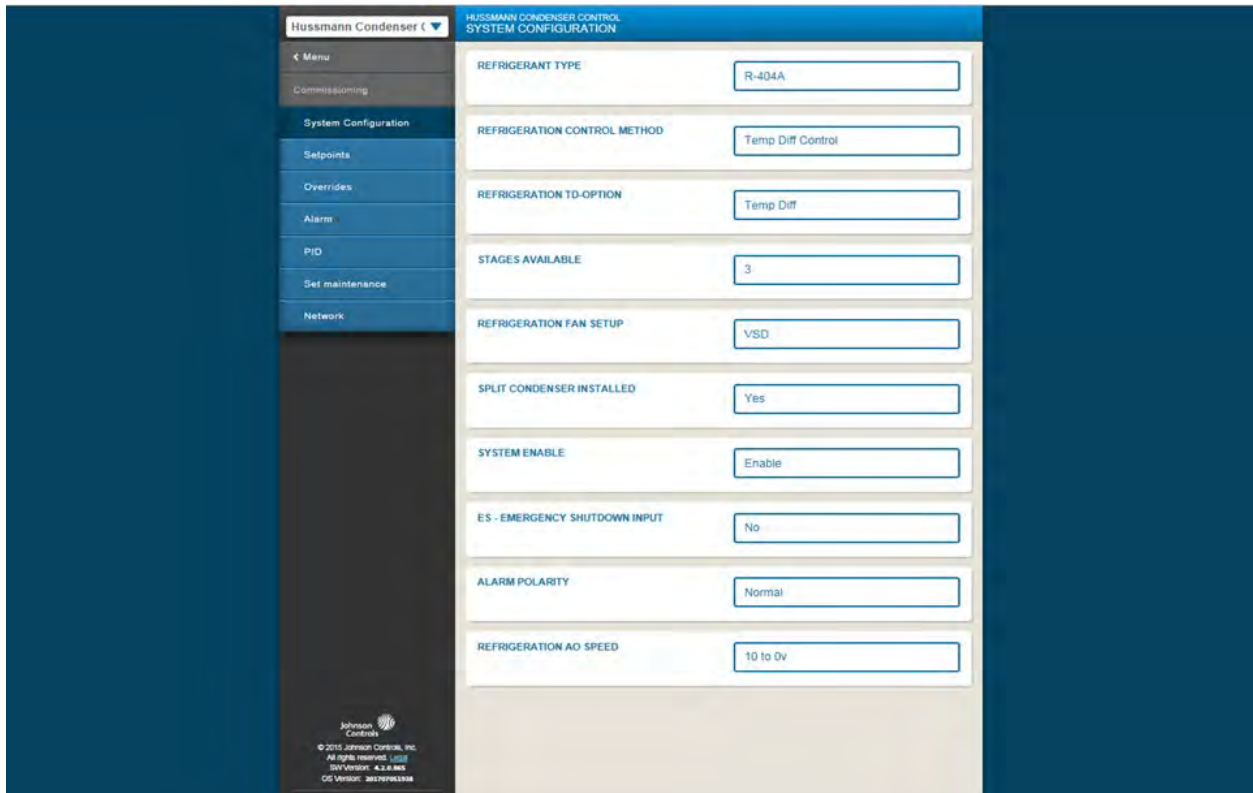
All configuration and setpoint changes can be accessed either through the local display or MAP Gateway. Following sections illustrates how to access the parameters utilizing the MAP 1810 Gateway module.

8.2.2.2.1 SYSTEM CONFIGURATION

System configuration parameters define the features available and the operation of the system.

The following figure illustrates the system configuration parameters when accesses through the MAP Gateway module.

Figure 18 SYSTEM CONFIGURATION PARAMETERS SCREENSHOT



The following table provides description, range, default value and units (if applicable) for all the system configuration parameters available in the system.

Table 10 SYSTEM CONFIGURATION PARAMETERS DESCRIPTION

Parameter Name and Description	Range	Default	Units
REFRGERANT TYPE Lists the refrigerants supported by the system.	R-407A R-407F R-448A R-449A R-404A R-507A R-410A	R-404A	-
REFRIGERATION CONTROL METHOD Lists the control strategies options available in the system.	Pressure Temperature Differential	Temperature Differential	-
REFRIGERATION TD-OPTION Lists the sensor feedbacks supported by the system.	Drop Leg Temp Temp Diff (Discharge Pressure)	Temp Diff	-
STAGES AVAILABLE Number of fans supported for staging.	1 – 3	3	-
REFRIGERATION FAN SETUP Lists the fan operation options available in the system.	Staged VSD (Variable Speed) Combined (Staged + VSD)	VSD	-
SPLIT CONDENSER INSTALLED Indicates whether split condenser hardware is installed or not in the system.	No Yes	No	-
SYSTEM ENABLE An option to turn off the application.	Shutdown Enable	Enable	-
ES – EMERGENCY SHUTDOWN INPUT Indicates whether a hardware switch, to turn off the application, is installed or not in the system.	No Yes	No	-
ALARM POLARITY Indicates the VFD Fault feedback signal polarity.	Normal Reverse	Normal	
REFRIGERATION AO SPEED Defines the analog output (that signals the KB drives for fan operation) range.	0 to 10 V 10 to 0 V	10 to 0 V	-

Notes:

- **REFRIGERATION TD-OPTION**
*Discharge pressure transducer is the primary input to the controls.
In the case of discharge pressure transducer failure, the condenser control application can be configured to use Drop leg temperature sensor as the input to the controls.*
- **REFRIGERATION CONTROL METHOD**
*Temperature differential is the primary controls strategy.
In the case of outdoor ambient temperature sensor failure, the condenser control application could be configured to operate on pressure-based controls strategy.*

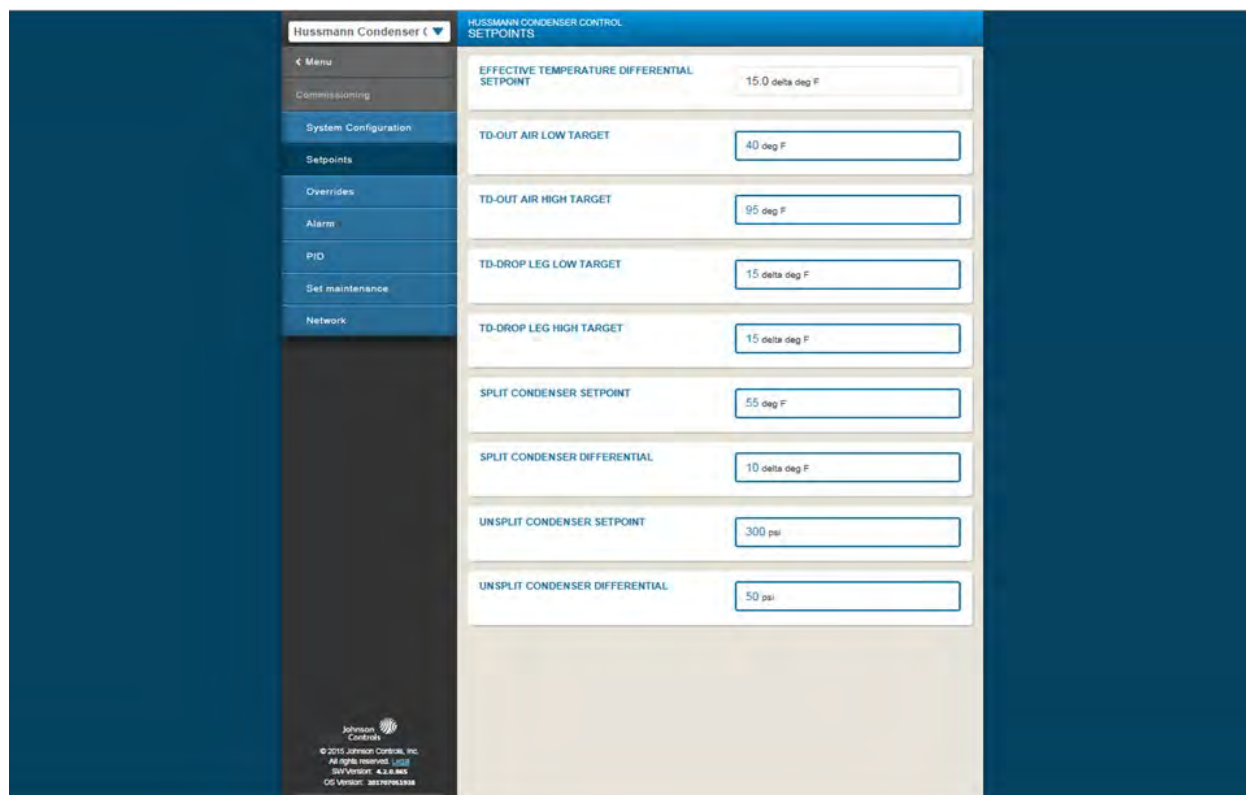
8.2.2.2.2 SETPOINTS

Setpoints will determine how the system behaves:

- Temperature differential controls or Pressure controls operation
- Split condenser operation.

The following figure illustrates the setpoints available when the REFRIGERATION CONTROL METHOD is set to *Temperature Differential* option and accessed through the MAP Gateway module.

Figure 19 SETPOINTS SCREENSHOT



The following table provides description, range, default value and units (if applicable) for all the setpoints available in the system.

Table 11 SETPOINTS DESCRIPTION

Parameter Name and Description	Range	Default	Units
CONDENSER PRESSURE SETPOINT Defines the setpoint at which the condenser discharge pressure needs to be maintained. <i>Note: Visible when REFRIGERATION CONTROL METHOD = Pressure.</i>	0 – 750	225	PSI
EFFECTIVE TEMPERATURE DIFFERENTIAL SETPOINT Indicates the TD setpoint determined by the controller application. This is RO status parameter. <i>Note: Visible when REFRIGERATION CONTROL METHOD = Temperature Differential.</i>	0 – 100	0	delta °F
TD-OUT AIR LOW TARGET Defines the lowest value for the outside air temperature range in which the controller shall operate with TD strategy. <i>Note: Visible when REFRIGERATION CONTROL METHOD = Temperature Differential.</i>	40 – 100	40	°F
TD-OUT AIR HIGH TARGET Defines the highest value for the outside air temperature range in which the controller shall operate with TD strategy. <i>Note: Visible when REFRIGERATION CONTROL METHOD = Temperature Differential.</i>	75 – 120	110	°F
TD-DROP LEG LOW TARGET Defines the lowest limit for the TD target, that is determined by the controller. <i>Note: Visible when REFRIGERATION CONTROL METHOD = Temperature Differential.</i>	5 - 25	10	°F
TD-DROP LEG HIGH TARGET Defines the highest limit for the TD target, that is determined by the controller.	5 - 25	15	°F

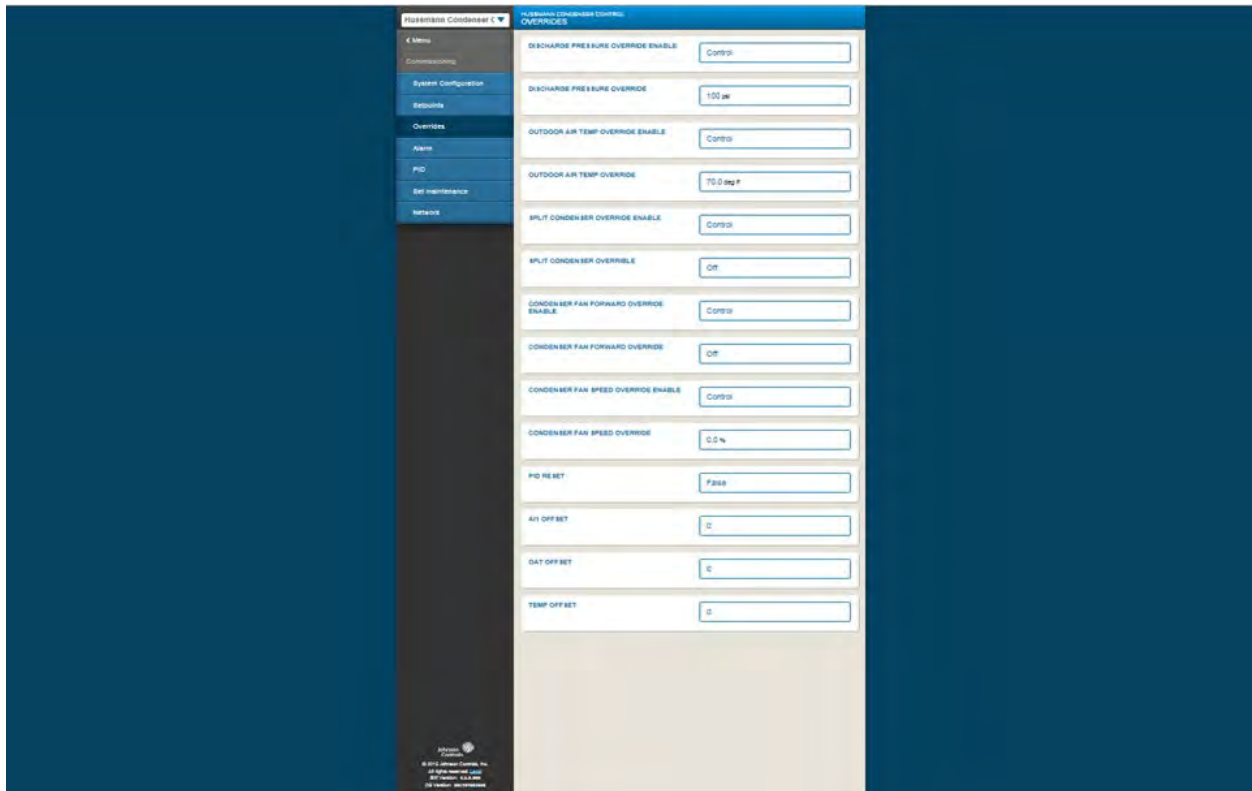
<i>Note: Visible when REFRIGERATION CONTROL METHOD = Temperature Differential.</i>			
CONDENSER FAN MINIMUM SPEED Defines the minimum speed at which the fans shall be staged. <i>Note: Visible when REFRIGERATION FAN SETUP = Combined.</i>	0 – 100	0	%
SPLIT CONDENSER SETPOINT Defines the temperature setpoint, the system can enter split condenser feature when the outside air temperature is below the SPLIT CONDENSER SETPOINT. <i>Note: Visible when SPLIT CONDENSER INSTALLED = Yes.</i>	0 – 100	55	°F
SPLIT CONDENSER DIFFERENTIAL Defines the temperature differential, the system shall unsplit when the outside air temperature goes above the (SPLIT CONDENSER SETPOINT + SPLIT CONDENSER DIFFERENTIAL) <i>Note: Visible when SPLIT CONDENSER INSTALLED = Yes.</i>	0 – 100	10	°F
UNSPPLIT CONDENSER SETPOINT Defines the pressure setpoint, the system shall unsplit when the discharge pressure goes above which the UNSPLIT CONDENSER SETPOINT. <i>Note: Visible when SPLIT CONDENSER INSTALLED = Yes.</i>	0 – 750	300	PSI
UNSPPLIT CONDENSER DIFFERENTIAL Defines the pressure differential, the system can enter split condenser feature when the discharge pressure falls below the (UNSPPLIT CONDENSER SETPOINT – UNSPLIT CONDENSER DIFFERENTIAL). <i>Note: Visible when SPLIT CONDENSER INSTALLED = Yes.</i>	0 – 200	50	PSI

8.2.2.2.3 OVERRIDES

Override parameters provides a huge benefit to simulate and test the system components during installation and service.

The following figure illustrates the override parameters available when accessed through the MAP Gateway module.

Figure 20 OVERRIDE PARAMETERS SCREENSHOT



The following table provides description, range, default value and units (if applicable) for all the override parameters available in the system.

Table 12 OVERRIDE PARAMETERS DESCRIPTION

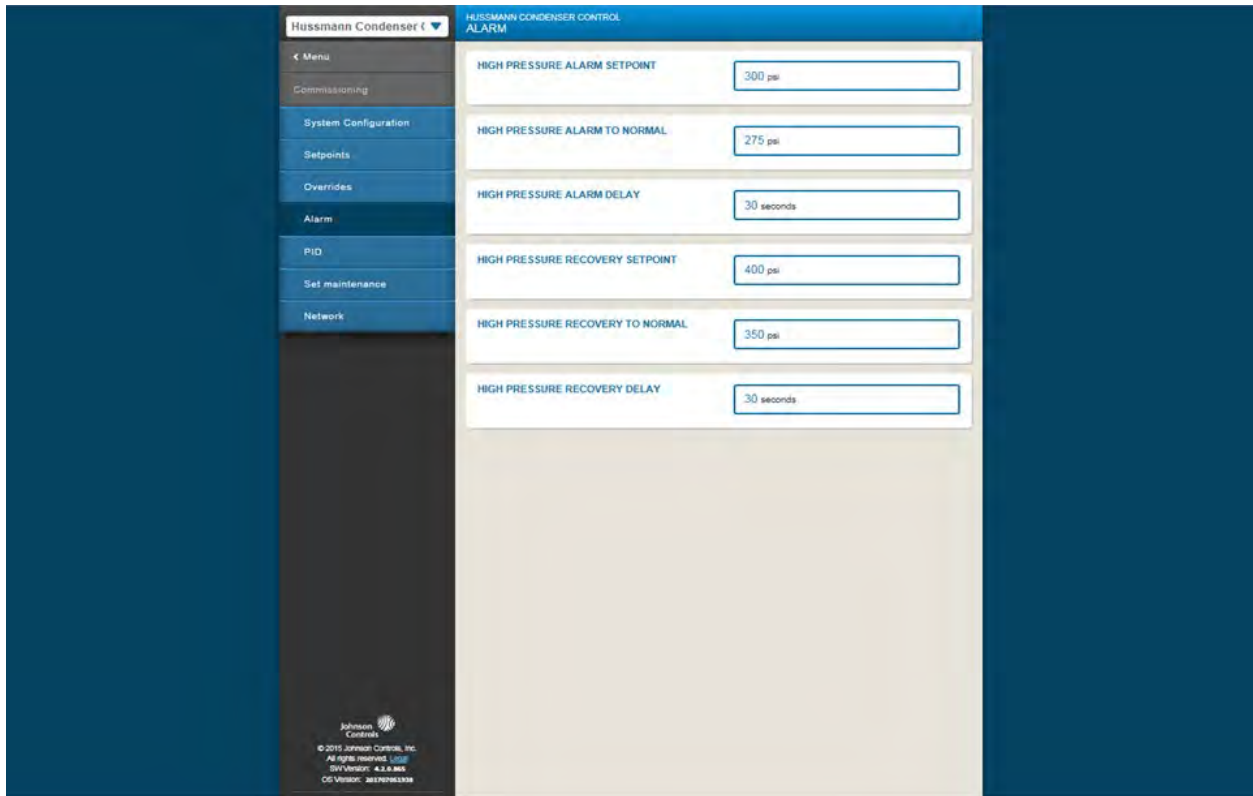
Parameter Name and Description	Range	Default	Units
DISCHARGE PRESSURE OVERRIDE ENABLE Shall be enabled to override discharge pressure input.	Control Override	Control	-
DISCHARGE PRESSURE OVERRIDE Defines the value with which the discharge pressure input would be overridden.	0 – 750	100	PSI
OUTDOOR AIR TEMP OVERRIDE ENABLE Shall be enabled to override outdoor air temperature input.	Control Override	Control	-
OUTDOOR AIR TEMP OVERRIDE Defines the value with which the outdoor air temperature input would be overridden.	0 – 125	0	°F
DROP LEG TEMP OVERRIDE ENABLE Shall be enabled to override drop leg temperature input. <i>Note: Visible when REFRIGERATION TD-OPTION = Drop Leg Temp.</i>	Control Override	Control	-
DROP LEG TEMP OVERRIDE Defines the value with which drop leg temperature would be overridden. <i>Note: Visible when REFRIGERATION TD-OPTION = Drop Leg Temp.</i>	0 – 100	85	°F
CONDENSER FAN 1 OVERRIDE ENABLE Shall be enabled to override condenser fan 1 operation. <i>Note: Visible when REFRIGERATION FAN SETUP = VSD.</i>	Control Override	Control	-
CONDENSER FAN 1 OVERRIDE Allows to either turn on or turn off the condenser fan 1. <i>Note: Visible when REFRIGERATION FAN SETUP = VSD.</i>	Off On	Off	-
CONDENSER FAN 2 OVERRIDE ENABLE Shall be enabled to override condenser fan 2 operation. <i>Note: Visible when REFRIGERATION FAN SETUP = VSD.</i>	Control Override	Control	-
CONDENSER FAN 2 OVERRIDE COMMAND Allows to either turn on or turn off the condenser fan 2. <i>Note: Visible when REFRIGERATION FAN SETUP = VSD.</i>	Off On	Off	-
CONDENSER FAN 3 OVERRIDE ENABLE Shall be enabled to override condenser fan 3 operation. <i>Note: Visible when REFRIGERATION FAN SETUP = VSD.</i>	Control Override	Control	-
CONDENSER FAN 3 OVERRIDE COMMAND Allows to either turn on or turn off the condenser fan 3. <i>Note: Visible when REFRIGERATION FAN SETUP = VSD.</i>	Off On	Off	-
SPLIT CONDENSER OVERRIDE ENABLE Shall be enabled to override split condenser valve operation. <i>Note: Visible when SPLIT CONDENSER INSTALLED = Yes.</i>	Control Override	Control	-
SPLIT CONDENSER OVERRIDE Allows to either turn on or turn off the split condenser valve. <i>Note: Visible when SPLIT CONDENSER INSTALLED = Yes.</i>	Off On	Off	-
CONDENSER FAN FORWARD OVERRIDE ENABLE Shall be enabled to override condenser fan direction. <i>Note: Visible when REFRIGERATION FAN SETUP = VSD or Combined.</i>	Control Override	Control	-
CONDENSER FAN FORWARD OVERRIDE Allows to either turn the condenser fans forward or reverse. <i>Note: Visible when REFRIGERATION FAN SETUP = VSD or Combined.</i>	Off On	Off	-
CONDENSER FAN SPEED OVERRIDE ENABLE Shall be enabled to override condenser fan speed. <i>Note: Visible when REFRIGERATION FAN SETUP = VSD or Combined.</i>	Control Override	Control	-
CONDENSER FAN SPEED OVERRIDE Defines the value with which condenser fans speed would be overridden. <i>Note: Visible when REFRIGERATION FAN SETUP = VSD or Combined.</i>	0 – 100	0	%

8.2.2.2.4 ALARMS

Alarm setpoints defines when an alarm shall be generated and recovered.

The following figure illustrates the alarm setpoints available when accessed through the MAP Gateway module.

Figure 21 ALARM SETPOINTS SCREENSHOT



The following table provides description, range, default value and units (if applicable) for all the alarm setpoints available in the system.

Table 13 ALARM SETPOINTS DESCRIPTION

Parameter Name and Description	Range	Default	Units
HIGH PRESSURE ALARM SETPOINT When the discharge pressure persists above this setpoint for HIGH PRESSURE ALARM DELAY time, the controller shall detect and report HIGH PRESSURE ALARM.	0 – 750	300	PSI
HIGH PRESSURE ALARM TO NORMAL The controller shall recover from HIGH PRESSURE ALARM, when the discharge pressure falls below this setpoint.	0 – 750	275	PSI
HIGH PRESSURE ALARM DELAY Defines the persistence time for which the condition shall prevail for the controller to detect and report HIGH PRESSURE ALARM.	0 – 600	30	Secs
HIGH PRESSURE RECOVERY SETPOINT When the discharge pressure persists above this setpoint for HIGH PRESSURE RECOVERY DELAY time, the controller shall detect and report HIGH PRESSURE RECOVERY ALARM. <i>Note: High pressure controls would be set to 395 PSI.</i>	0 – 750	375	PSI
HIGH PRESSURE RECOVERY TO NORMAL The controller shall recover from HIGH PRESSURE ALARM, when the discharge pressure falls below this setpoint.	0 – 750	350	PSI
HIGH PRESSURE RECOVERY DELAY Defines the persistence time for which the condition shall prevail for the controller to detect and report HIGH PRESSURE ALARM.	0 – 300	30	Secs

8.2.2.3 TROUBLESHOOTING

Observe the status LEDs on the controller and refer to Table 15 to troubleshoot the controller.

Table 14 HUSSMANN CONTROLLER LED TROUBLESHOOTING

LED Label	Description of LED states	
POWER	State	Description
	Off Steady	No supply power
	On Steady	Power connected
FAULT	State	Description
	Off Steady	No faults
	On Steady	Device fault: no application loaded
	Blink – 2 Hz	Download or Startup in progress, not ready for normal operation
SA BUS	State	Description
	Blink – 2 Hz	Data transmission
	Off Steady	No data transmission
	On Steady	Communication lost, waiting to join
FC BUS	State	Description
	Blink – 2 Hz	Data transmission
	Off Steady	No data transmission
	On Steady	Communication lost, waiting to join
MODBUS	State	Description
	Blink – 2 Hz	Data transmission
	Off Steady	No data transmission
	On Steady	Communication lost, waiting to join

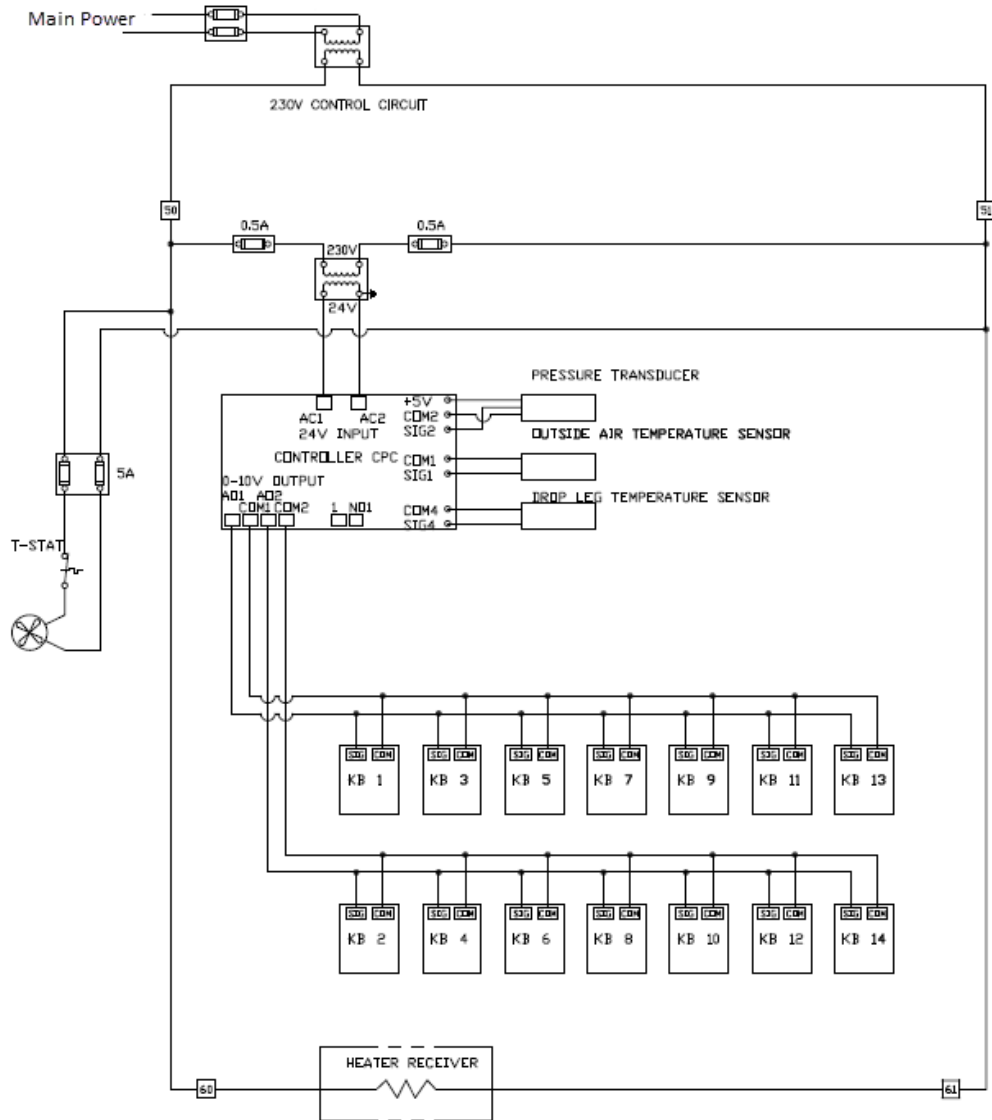
Table 15 HUSSMANN CONTROLLER APPLICATION TROUBLESHOOTING

Alarm	Description	Corrective Action
Discharge Pressure Sensor Failure	Discharge pressure transducer failure is shorted, open or detecting the pressure out of range.	<ul style="list-style-type: none"> ▪ Check for any cable issues or connector issues. ▪ Check that the pressure transducer is landing on the appropriate connector on the board. ▪ Check that the pressure transducer cable is fully inserted into the pressure transducer. ▪ Confirm that the proper transducer is being used in the system.
Outdoor Air Temp Sensor Failure	OAT sensor is shorted, open or detecting the temperature out of range.	<ul style="list-style-type: none"> ▪ Check for any cable issues or connector issues. ▪ Check that the temperature sensor is landing on the appropriate connector on the board. ▪ Check that the temperature sensor probe.
Drop Leg Temp Sensor Failure	Drop leg temperature sensor is shorted, open or detecting the temperature out of the range.	
VFD Alarm	VFD reporting fault condition	Please refer to section 8.3
High Pressure Alarm	Discharge pressure raised above the head safety alarm setpoint defined in the application	Auto recovers when the discharge pressure falls below head safety alarm setpoint.

8.2.3 EMERSON CONTROLLER

Condensers are built with Multiflex IO board which needs to be integrated with E2 or Site Supervisor controllers for them to operate.

Figure 22 MULTIFLEX 810-3063 4AO BOARD WIRING DIAGRAM



8.2.3.1 COMMISSIONING

The Condenser Control application in an E2 RX can control either air-cooled or evaporative condensers.

To operate air-cooled condensers, the Condenser Control application supports following two strategies:

- Air-cooled strategy (uses a simple PID control loop that compares a single Control In input to a PID setpoint).
- Temperature differential strategy (attempts to keep a minimum amount of difference between the temperature of the refrigerant and the ambient outside temperature).

8.2.3.1.1 INPUTS CONFIGURATION

This application will need following sensor inputs:

- Discharge pressure transducer
- Drop leg temperature sensor
- Ambient temperature sensor

Notes: Discharge pressure transducer would be our primary input to the controls. In case of discharge pressure transducer failure, the condenser control application can be configured to use Drop leg temperature sensor as the input to the controls.

Following figure and table illustrates the inputs setup in the Condenser Control application in the E2.

Figure 23 INPUTS CONFIGURATION SCREENSHOT

Type	Board	Point	Type	Application	Association	Value	ADVISORY SUMMARY
16AI	01	OAT	A	ANALOG SENS001	INPUT1	95.14 DF	Fails 0
16AI	01	COND PRESSURE	A	ANALOG COMB001	ANALOG INPUT1		Alarms 0
				CONDENSER001	DISCH TRIP IN	112.78 PSI	Notices 0
				CONDENSER001	PRES CTRL IN		
				CONDENSER001	FAST REC IN		
16AI	01	VFD FAULT	D	CONDENSER001	US INTR ALARM	OK	NETWORK OVERVIEW
16AI	01	DROP LEG	A	CONDENSER001	DROPLEG TEMP	81.97 DF	IONet-1 ●
16AI	01	05	-				
16AI	01	06	-				
16AI	01	07	-				
16AI	01	08	-				
16AI	01	09	-				
16AI	01	10	-				
16AI	01	11	-				
16AI	01	12	-				
16AI	01	13	-				
16AI	01	14	-				E2 Unit01
16AI	01	15	-				Rev 4.09F02
16AI	01	16	-				English-US

Press LOOK UP to choose application

F1: SETUP F2: DEL/MOD F3: OFFSET F4: LOOK UP

Table 16 INPUTS CONFIGURATION DESCRIPTION

Field	Description
16AI	Associate with the ambient temperature sensor and pass it on to analog combiner application.
16AI	Associate with the discharge pressure sensor input.
16AI	Associate with the VFD fault feedback input.
16AI	Associate with the drop leg temperature sensor input.

8.2.3.1.2 OUTPUTS CONFIGURATION

Our application controls following outputs:

- Fans with two AO's
- Split valve
- Alarm output (VFD fault feedback is monitored to generate an alarm when a VFD reports fault.)

The following figure and table show the outputs setup in the Condenser Control application in the E2.

Figure 24 OUTPUTS CONFIGURATION SCREENSHOT

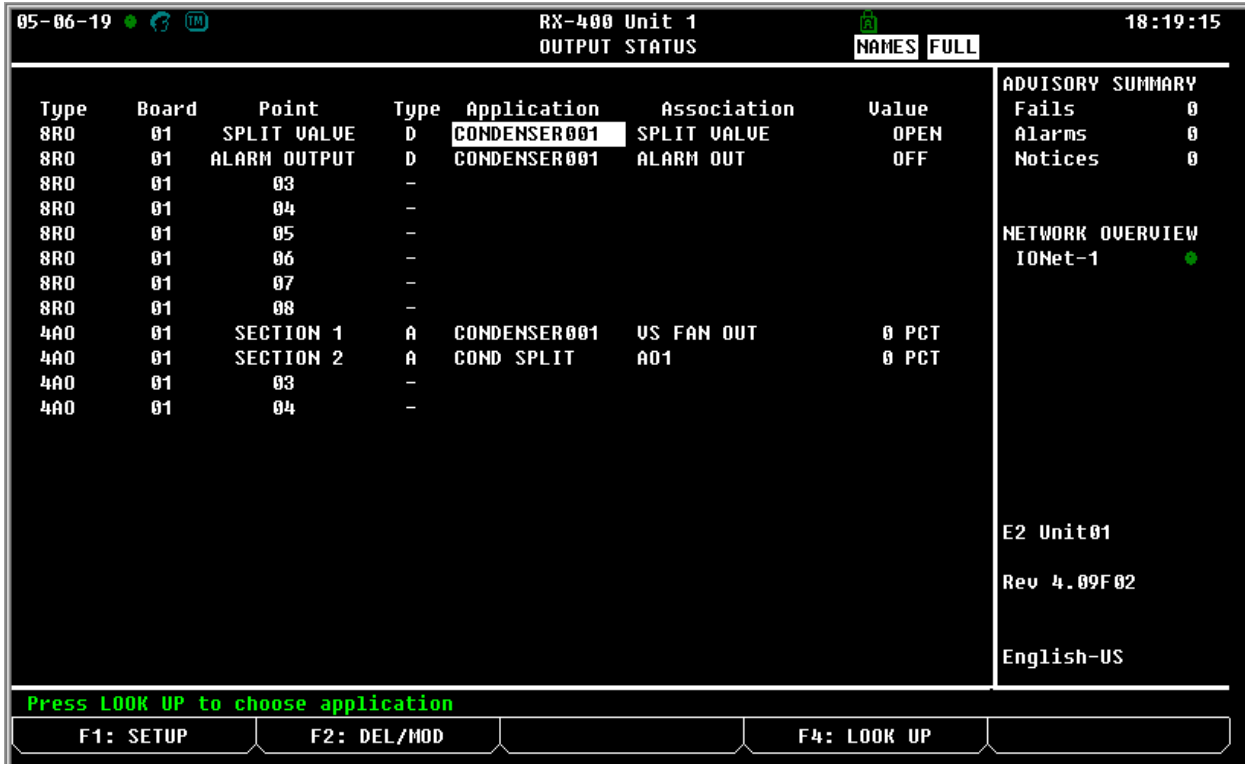


Table 17 OUTPUTS CONFIGURATION DESCRIPTION

Field	Description
8RO	Associate with the split valve output.
8RO	Associate with the alarm output.
4AO	Associate with the variable speed fan output.
4AO	Associate with the flexible combiner analog output.

8.2.3.1.3 CONDENSER SETUP

The condenser control application in the E2 shall be configured to use temperature differential (T-D) strategy. TD is maintained by operating variable speed fans based on PID control output that corresponds to the amount of total fan power that should be active.

Notes: In the case of ambient sensor failure, the condenser control application on E2 can also be configured to use air cooled strategy to either maintain a discharge pressure or drop leg temperature.

The general tab parameters allow to define the features available and the operation of the system from condenser controls application perspective.

Figure 25 CONDENSER GENERAL TAB SCREENSHOT



TABLE 18 CONDENSER GENERAL TAB DESCRIPTION

Field	Description
Name	Specify the name for condenser application
Long Name	Specify further details if needed like functionality, etc.
Condenser Type	Select temperature differential as our control strategy.
Control Type	Select appropriate input, for example discharge pressure for air cooled Levitor and drop leg temperature for fluid coolers.
Fan Type	Select variable speed fans type.
Refrigerant Type	Refrigerant selected based on application.
Split Enable	Application based, you can either enable or disable split condenser feature. By default, split condenser shall be disabled.
Split Strategy	Split condenser when enabled, shall be entered or exited based on the ambient temperature.
Split When Recl	Disable split condenser based on reclaim input.
STPT Reset En	Enable active control setpoint.
Proof Fail Enab	Disable the condenser control application's ability to generate and automatically clear proof failures.
Fast Rcvy Enab	Enable fast recovery mode.
Min Cap Setpt	Defines the lowest possible % of total condenser cooling capacity that will be allowed to be active.
Max Cap Setpt	Defines the highest possible % of total condenser cooling capacity that will be allowed to be active.
FAN Always On	Fans are not always on.

Setpoints tab parameters define the behavior of the system.

Figure 26 SETPOINTS TAB 1 SCREENSHOT

05-06-19 RX-400 Unit 1 18:09:11
 Use Ctrl-X to Select CX Tabs SETUP NAMES FULL

C1: General	C2: Setpoints	C3: Inputs	C4: US Setup	C5:
C6: Fan Outs	C7: Other Outs	C8:	C9: Advanced	C0:

Condensers: CONDENSER001

Setpoints	Value
TEMP DIF STPT	10.00
MIN TEMP STPT	60.00
T SHFT DUR REC	0
FAST REC STPT	325.00
Fast Rcv Hyst	10.00
UNSPLIT STPT	280.00
AMB SPLIT STPT	50.00
RECL SPLIT STPT	50.00
Amb Split Dbnd	5.00
Unsplit Dbnd	25.00
Uspl to Spl Dly	0:02:00
LOW PRES STPT	NONE
Low Press Hyst	10.00
Fan ON Delay	0:00:00
Fan OFF Delay	0:00:00
TR Temperature	5.00
L Lvl Min %	10.00

ADVISORY SUMMARY
 Fails 0
 Alarms 0
 Notices 0

NETWORK OVERVIEW
 IONet-1 ●

E2 Unit01
 Rev 4.09F02
 English-US

Enter 0 to 100.00 DDF | Temperature differential setpoint

F1: PREV TAB F2: NEXT TAB F3: EDIT F4: STATUS F5: CANCEL

Figure 27 SETPOINTS TAB 2 SCREENSHOT

05-06-19 RX-400 Unit 1 18:09:50
 Use Ctrl-X to Select CX Tabs SETUP NAMES FULL

C1: General	C2: Setpoints	C3: Inputs	C4: US Setup	C5:
C6: Fan Outs	C7: Other Outs	C8:	C9: Advanced	C0:

Condensers: CONDENSER001

Setpoints	Value
Fast Rcv Hyst	10.00
UNSPLIT STPT	280.00
AMB SPLIT STPT	50.00
RECL SPLIT STPT	50.00
Amb Split Dbnd	5.00
Unsplit Dbnd	25.00
Uspl to Spl Dly	0:02:00
LOW PRES STPT	NONE
Low Press Hyst	10.00
Fan ON Delay	0:00:00
Fan OFF Delay	0:00:00
TR Temperature	5.00
L Lvl Min %	10.00
L Lvl Alm Dly	1:00
Ambient No Rst	80.00
Ambient Max Rst	40.00
Max Temp Reset	5.00

ADVISORY SUMMARY
 Fails 0
 Alarms 0
 Notices 0

NETWORK OVERVIEW
 IONet-1 ●

E2 Unit01
 Rev 4.09F02
 English-US

Enter -100.00 to 100.00 DDF | The maximum setpoint reset value

F1: PREV TAB F2: NEXT TAB F3: EDIT F4: STATUS F5: CANCEL

Table 18 SETPOINTS TAB DESCRIPTION

Field	Description
TEMP DIF STPT	Defines the TD setpoint that is compared to the difference between the refrigerant temperature and the ambient temperature to yield the PID percentage that drives the condenser fans.
MIN TEMP STPT	Defines the lowest possible condensing setpoint (ambient temperature + TEMP DIF STPT) allowable in a TD condenser.
T SHFT DUR REC	Defines the amount the condenser control setpoint will be shifted when the refrigeration system is using a heat reclaim.
FAST REC STPT	Defines the setpoint that would initiate fast recovery.
Fast Rcv Hyst	Defines the hysteresis to avoid condenser from short-cycling between normal and fast recovery mode.
UNSPLIT STPT	Defines the fail-safe pressure setpoint above which the condenser comes out of split mode.
AMB SPLIT STPT	Defines the temperature setpoint above which the condenser split mode is locked out. <i>Notes: Shall appear only if the condenser has single-speed fans and the condenser split feature is enabled.</i>
RECL SPLIT STPT	Defines the temperature setpoint above which the condenser split mode is locked out and the reclaim is active. <i>Notes: Shall appear only if the condenser has single-speed fans and the condenser split feature is enabled.</i>
Amb Split Dbnd	Defines a dead band around the ambient split setpoint. The condenser will go into split mode, when: $ambient\ temperature < (ambient\ split\ setpoint - \frac{ambient\ split\ deadband}{2})$ The condenser will unsplit, when: $ambient\ temperature > (ambient\ split\ setpoint + \frac{ambient\ split\ deadband}{2})$
Unsplit Dbnd	Defines a dead band around the split pressure setpoint. If the condenser is in split mode, it will unsplit when: $discharge\ pressure > (split\ pressure\ setpoint + (\frac{Unsplit\ deadband\ setpoint}{2}))$ The split mode is available again when: $discharge\ pressure < (split\ pressure\ setpoint - (\frac{Unsplit\ deadband\ setpoint}{2}))$
Uspl to Spl Dly	Specifies a period after the condenser unsplit, for which the split mode activation is disabled.
LOW PRES STPT	Defines a fail-safe pressure setpoint below which all the fans will be turned OFF.
Low Press Hyst	Defines the hysteresis to avoid condenser from short-cycling between normal and low pressure cut off mode.
Fan ON Delay	Defines a period between when a fan is called by the E2 to be ON and when the fan turns on.
Fan OFF Delay	Defines a period between when a fan is called by the E2 to be OFF and when the fan turns off.
TR Temperature	The Temperature Throttling Range is a range of temperature around the control temperature setpoint that determines the PID percentage called for by the P mode.
L Lvl Min %	Specifies the liquid level % at which the low liquid level alarm will be generated.
L Lvl Alm Dly	Specifies the amount of time for which the liquid level input must be below the Liquid Level Minimum % setpoint for an alarm to be generated.
Ambient No Rst	Specifies the ambient temperature at which no adjustment to the active control setpoint will take place. $((ambient\ temperature > Ambient\ No\ Reset\ setpoint) \&\&$

	<p>(Ambient No Reset setpoint > Ambient Max Reset setpoint)</p> <p> </p> <p>((ambient temperature < Ambient No Reset setpoint) && (Ambient No Reset setpoint < Ambient Max Reset setpoint))</p>
Ambient Max Rst	<p>Specifies the ambient temperature at which adjustment to the active control setpoint will take place by either the Max Temp Reset or Max Press Reset setpoint.</p> <p>((ambient temperature < Ambient Max Reset setpoint) && (Ambient Max Reset setpoint < Ambient No Reset setpoint))</p> <p> </p> <p>((ambient temperature > Ambient Max Reset setpoint) && (Ambient Max Reset setpoint > Ambient No Reset setpoint))</p>
Max Temp Reset	<p>Specifies the maximum temperature setpoint reset value that would be added to the control setpoint when the ambient temperature reaches the Ambient Max Reset value.</p>

Figure 27 INPUTS TAB SCREENSHOT

Table 19 INPUTS TAB DESCRIPTION

Field	Description
PRES CTRL IN	Pressure transducer input that is compared to the PID setpoint and used to operate the condenser fans.
DISCH TRIP IN	Pressure transducer input that is utilized by the condenser split feature to bring the condenser out of split when the discharge temperature or pressure is too high.
RECLAIM IN	Not used
FAST REC IN	Pressure transducer input that is utilized by the condenser fast recovery feature.
LIQUID LEVEL	Not used
DROPLEG TEMP	Temperature input that indicates the refrigeration temperature being supplied.

DROPLEG PRES	Not used
AMB TEMP IN	Temperature input that captures the ambient temperature.
SHUT DOWN	Used for emergency shutdown of a condenser.

Figure 28 VS SETUP TAB SCREENSHOT

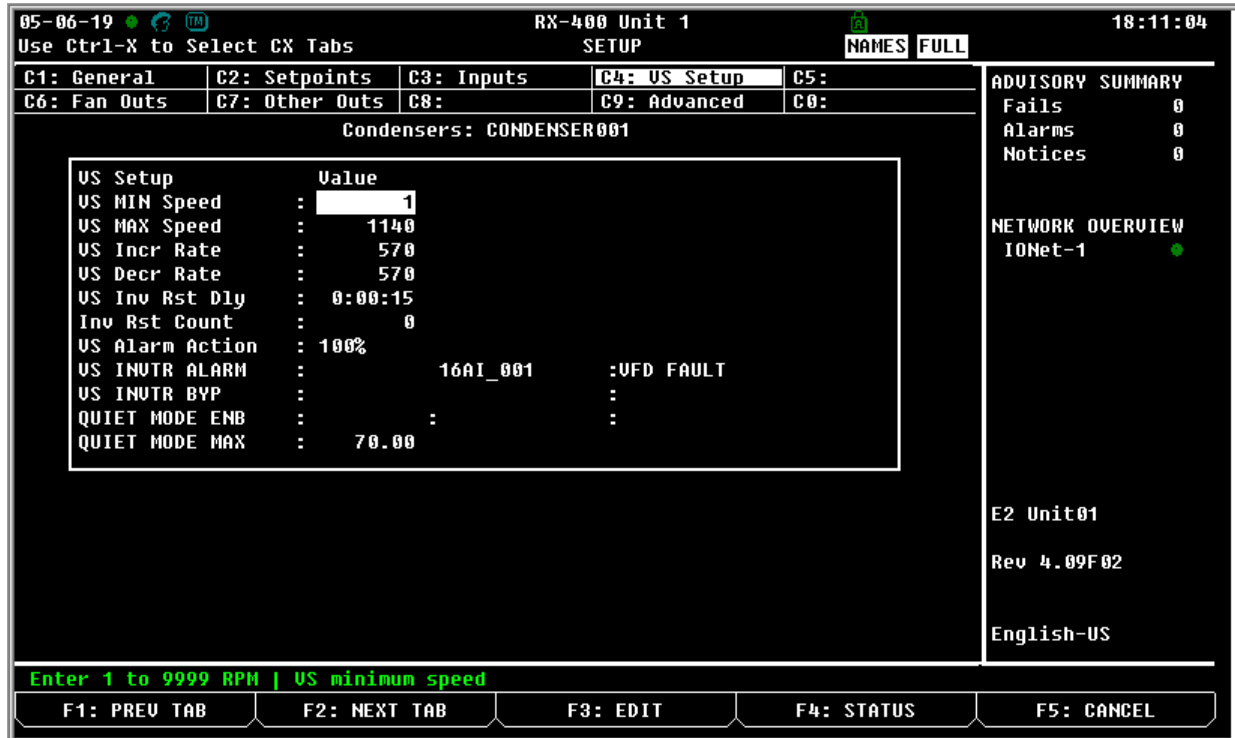


Table 20 VS SETUP TAB DESCRIPTION

Field	Description
VS MIN Speed	Defines the lowest possible fan speed (in RPM) at which the variable-speed fan will operate.
VS MAX Speed	Defines the highest possible fan speed (in RPM) at which the variable-speed fan will operate.
VS Incr Rate	Determines how fast the speed of a variable-speed fan may increase.
VS Decr Rate	Determines how fast the speed of a variable-speed fan may decrease.
VS Inv Rst Dly	Defines the amount of time between inverter clearing attempts.
VS Rst Count	Defines number of attempts the application will make to clear the inverter failure.
VS Alarm Action	Defines the bypass value at which the fans shall operate when inverter goes into alarm status.
VS INVTR ALARM	Input that shall connected to a contact on the inverter that closes whenever an alarm occurs.
VS INVTR BYP	During bypass mode: a. If the PID % > 50%, the VS fan will operate at 100% speed. b. If the PID % < 50%, the VS fan will operate at 0% speed.
QUIET MODE ENB	Enables or disables the quiet mode feature. It is highly recommended to use Fast recovery when quiet mode is being used to handle the high discharge pressure scenarios.
QUIET MODE MAX	Defines the maximum variable-speed fan % when operating in quiet mode.

Figure 29 FAN OUTS TAB SCREENSHOT

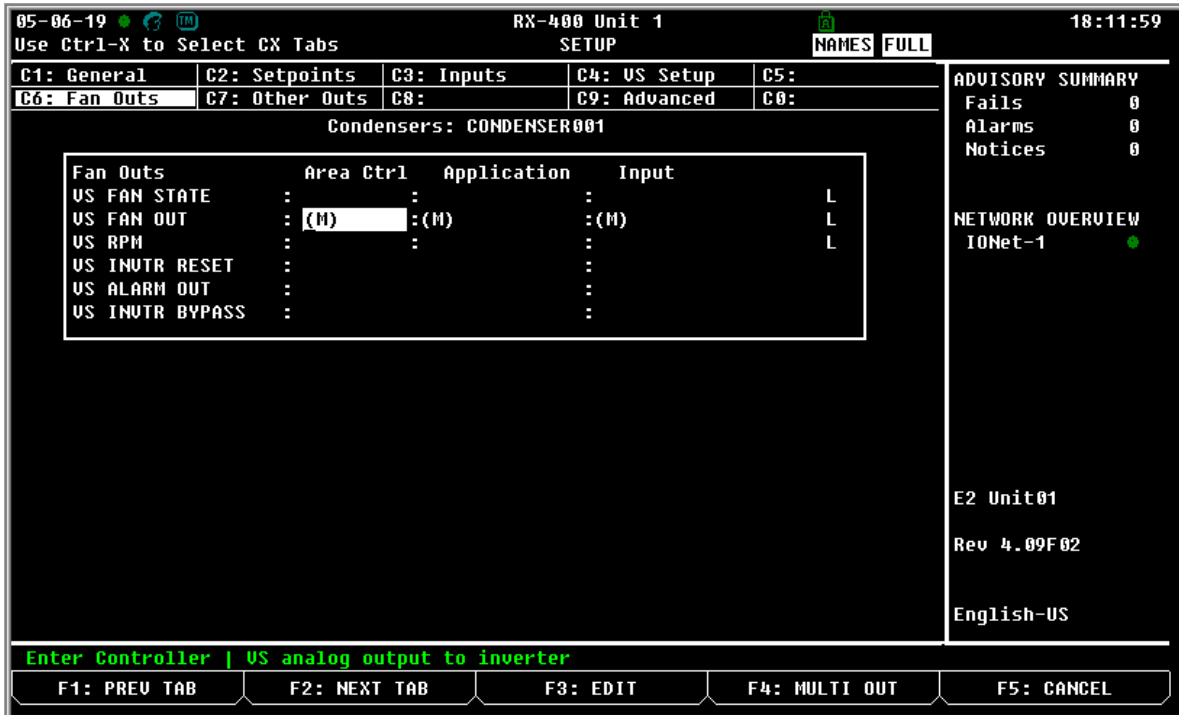


Table 21 FAN OUTS TAB DESCRIPTION

Field	Description
VS FAN STATE	Not used
VS FAN OUT	Output to which the inverter must be connected.
VS RPM	Not used
VS INVTR RESET	Not used
VS ALARM OUT	Not used
VS INVTR BYPASS	Not used

Figure 30 VS FAN OUT SETUP SCREENSHOT

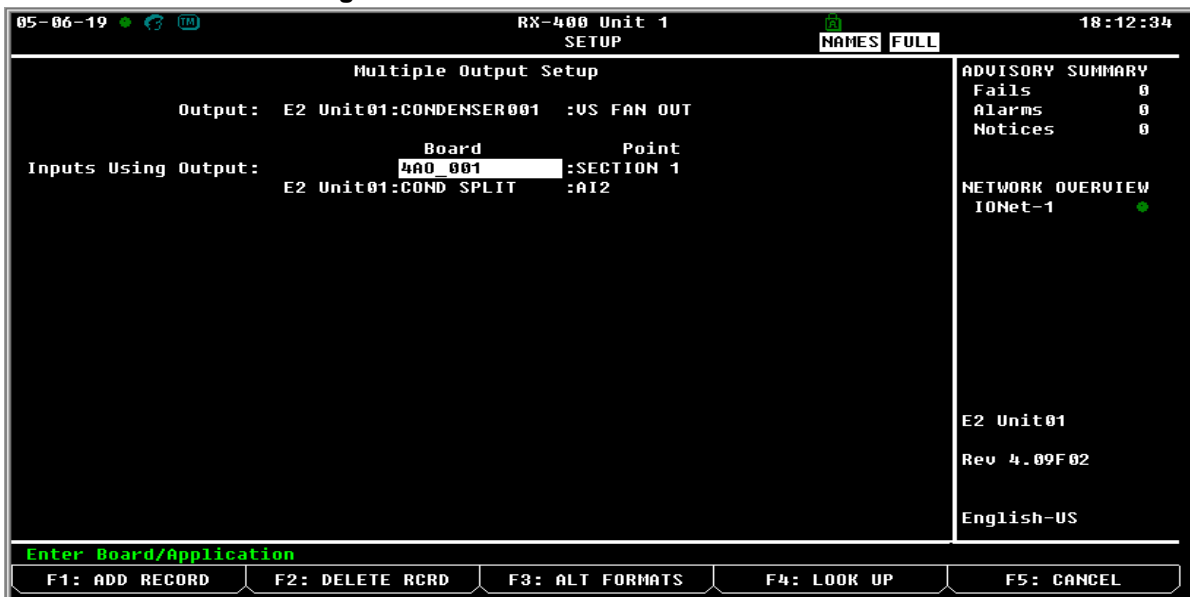


Figure 31 OTHER OUTS TAB SCREENSHOT

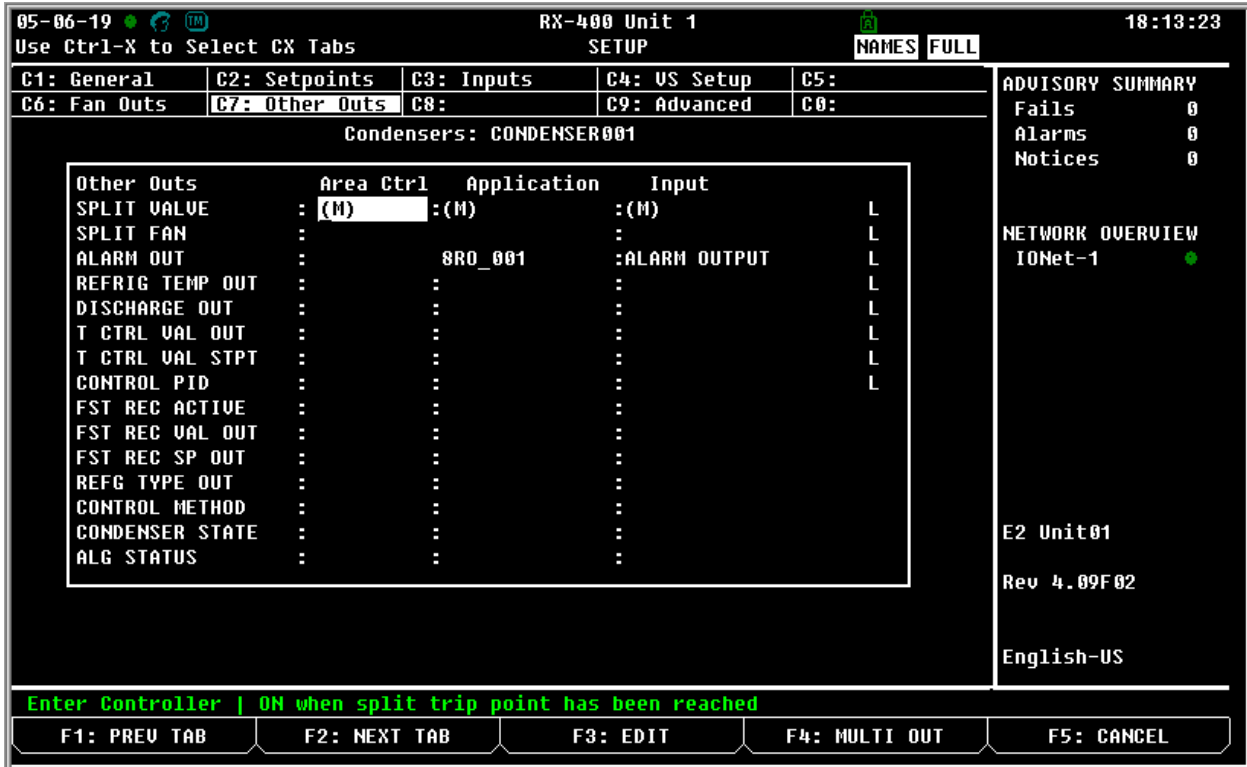


Table 22 OTHER OUTS TAB DESCRIPTION

Field	Description
SPLIT VALVE	Split valve is ON when split feature is active and OFF when split is inactive.
SPLIT FAN	Output is ON when split feature is active and OFF when split is inactive.
ALARM OUT	Output turns ON when certain fatal system condition (input device supplying the control value fails) is detected.
REFRIG TEMP OUT	For TD condensers, this output is equal to refrigerant temperature as converted from pressure.
DISCHARGE OUT	Output equal to current discharge pressure (either measure from transducer or as converted from discharge temperature).
T CTRL VAL OUT	Output equal to the temperature control value being used by the PID algorithm.
T CTRL VAL STPT	Output equal to the control input value (discharge temperature including any adjustments that may be made) being used by PID algorithm.
CONTROL PID	Real-time PID output %.
FST REC ACTIVE	Output that reflects the current state of fast recovery mode.
FST REC VAL OUT	Output equal to the current fast recovery control value.
RST REC SP OUT	Output value is equal to the currently active fast recovery setpoint.
REFG TYPE OUT	Output displays the refrigerant being used in the system.
CONTROL METHOD	Output shows whether the control input is either discharge temperature or discharge pressure.
CONDENSER STATE	Output that reflects the current state of the condenser.
ALG STATUS	Output that indicates the algorithm status.

Figure 32 SPLIT VALVE SETUP SCREEN SHOT

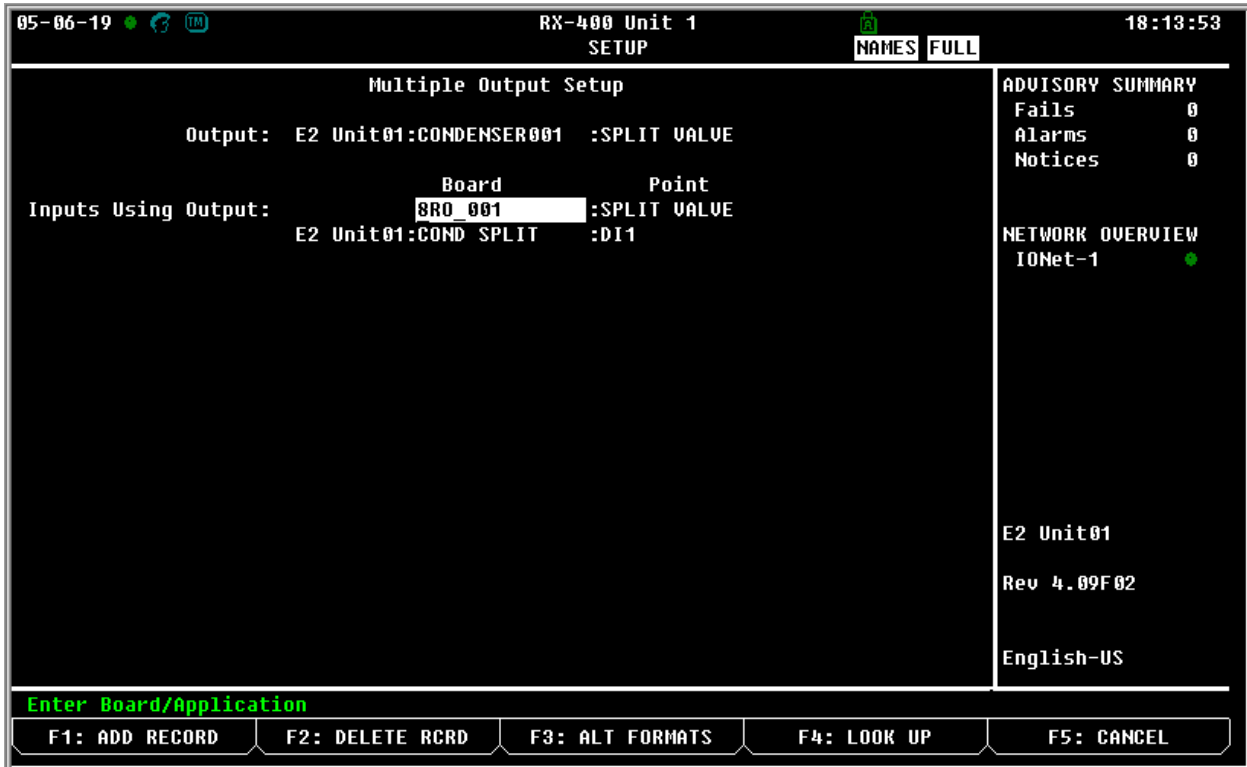


Figure 33 ADVANCED TAB SCREENSHOT

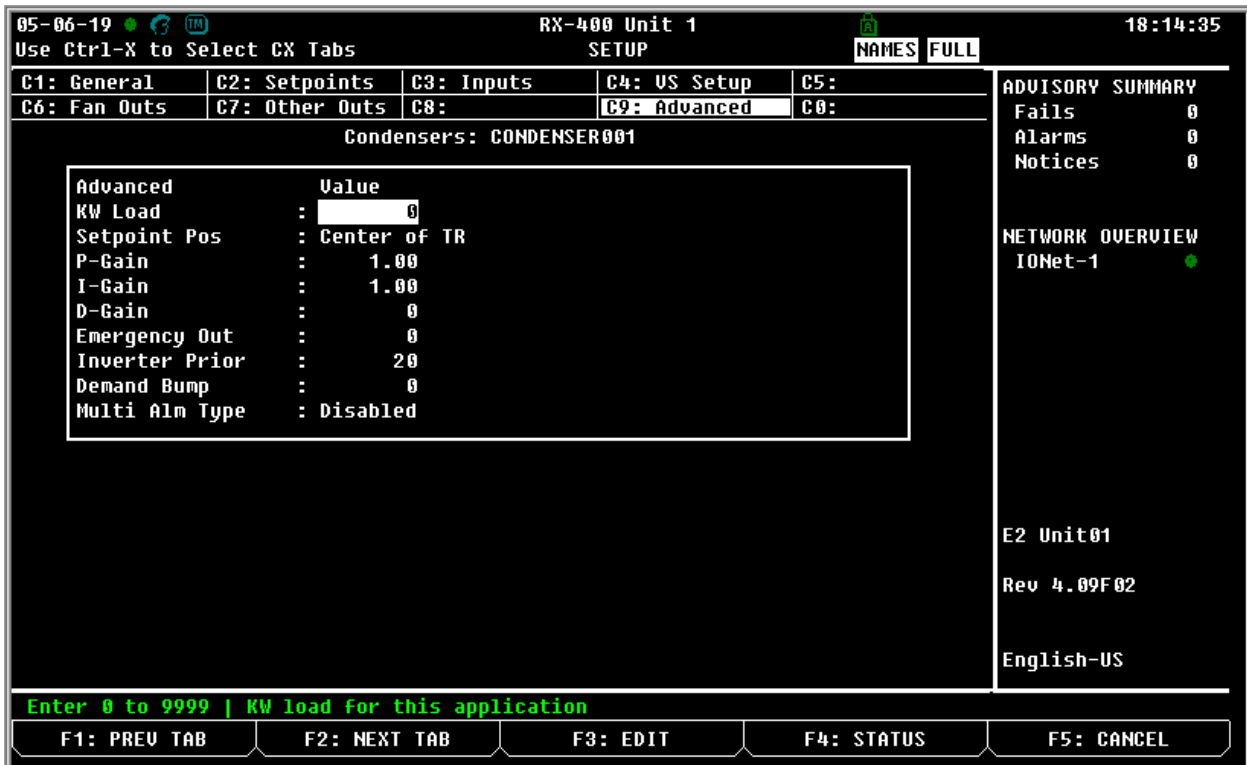


Table 23 ADVANCED TAB DESCRIPTION

Field	Description
KW Load	A reference for power monitoring system regarding total amount of KW used by the condenser system (including fans, pumps, etc).
Setpoint Pos	Refers to where the setpoint lies within the Throttling Range.
P-Gain	Determines how large the P mode of the PID will be.
I-Gain	Determines how large the I mode of the PID will be.
D-Gain	Determines how large the D mode of the PID will be.
Emergency Out	Indicates the % of fan capacity at which the condenser will operate when the emergency override input is low.
Inverter Prior	Defines the priority level of the alarm generated when the variable-speed fan inverter fails.
Demand Bump	The amount that will be added to the control setpoint when the demand shed input is ON.
Multi Alm Type	Displays the multiple alarm advisory types of the Enhanced Suction Group application.

8.2.3.1.4 ANALOG COMBINER

Analog combiner application reads data values from multiple inputs (up to sixteen), combines them using a user-defined combination strategy and sends the combined value to the desired application input.

We are utilizing the analog combiner application to monitor and limit the maximum ambient temperature input to the condenser control application.

Figure 34 GENERAL TAB SCREENSHOT

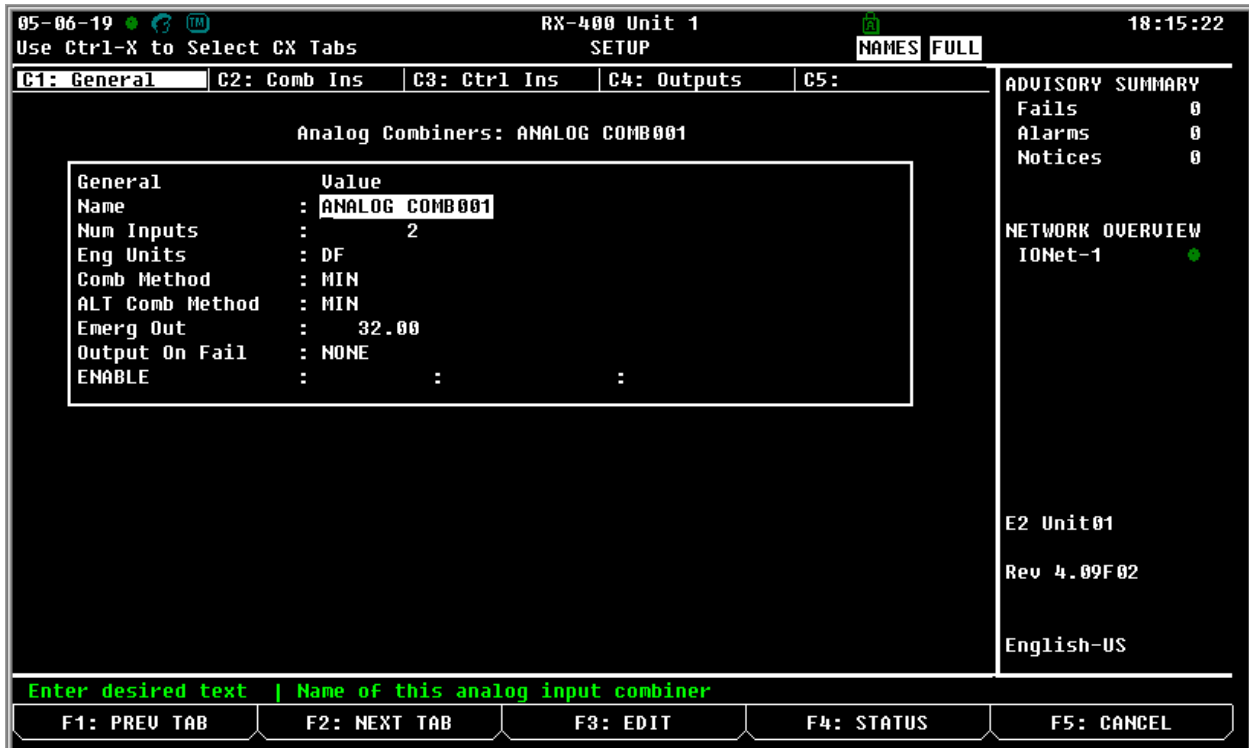


Table 24 GENERAL TAB DESCRIPTION

Field	Description
Name	Specify the name of the analog combiner application.
Num Inputs	Number of inputs that would be combined by the analog combiner.
Eng Units	Units for both the analog input and output values.
Comb Method	Selects MIN as the input combination strategy, which uses the lowest input value as the output.
ALT Comb Method	Strategy used when the use alt input is ON.
Emerg Out	Output will be overridden to this value whenever the EMERGENCY BYP input is low.
Output on Fail	Not used
ENABLE	Not used.

Figure 35 COMB INS TAB SCREENSHOT

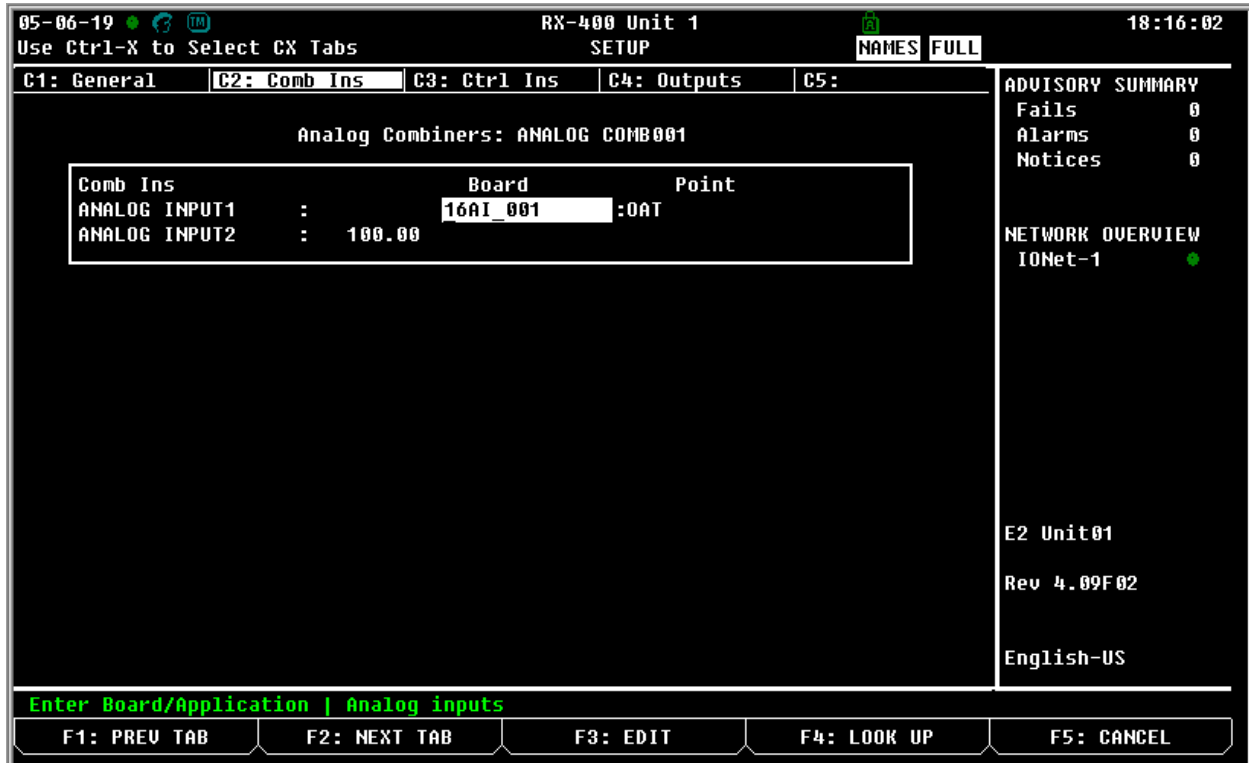


Table 25 COMB INS TAB DESCRIPTION

Field	Description
ANALOG INPUT1	Associated with the Outside Air Temperature (OAT) input.
ANALOG INPUT2	Specified to be a constant 100.00 as we needed to limit the analog input to a maximum allowed value.

Figure 36 CTRL INS TAB SCREENSHOT



Table 26 CTRL INS TAB DESCRIPTION

Field	Description
USE ALT	Input tells the analog combiner application whether to use the primary combination method (OFF) or the alternate combination method (ON).
EMERGENCY BYP	Input allows the user to override the analog combiner application's output to the value specified in the Emerg Out field.

Figure 37 OUTPUTS TAB SCREENSHOT

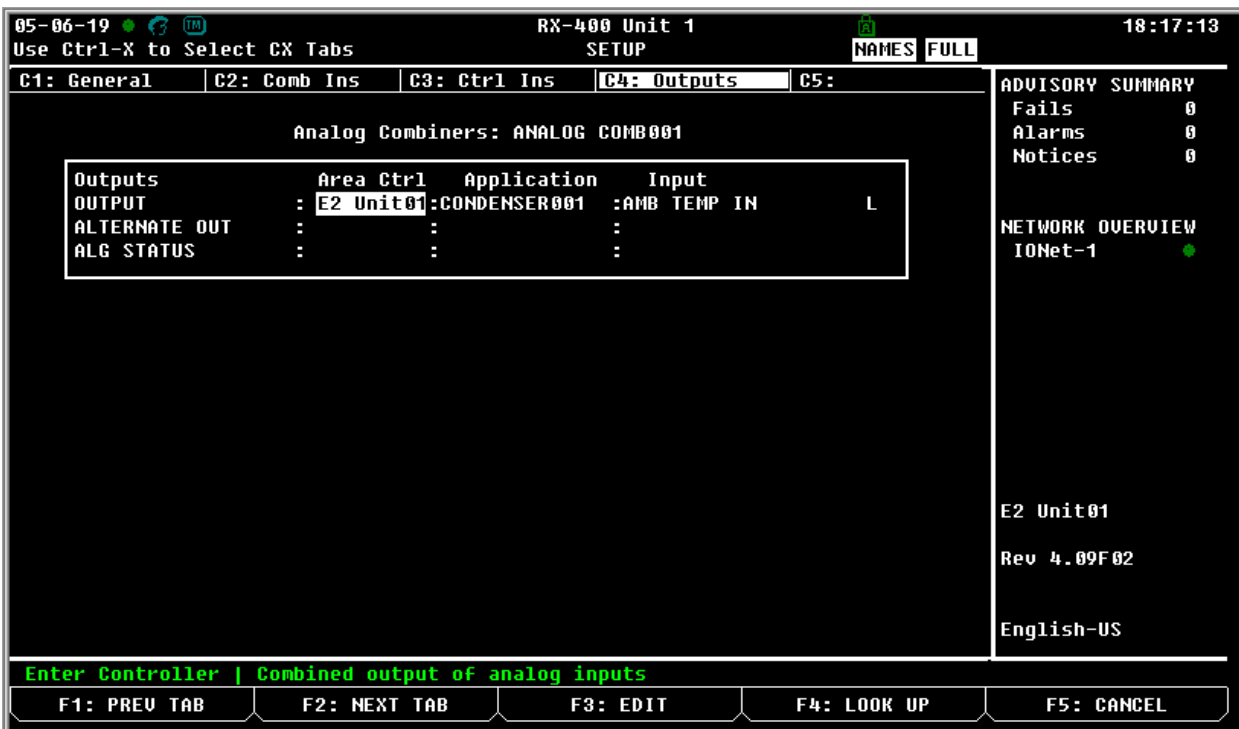


Table 27 OUTPUTS TAB DESCRIPTION

Field	Description
OUTPUT	Result of the combination of Analog Input 1 through Analog Input 16 using the primary method of combination (Comb Method) is sent to the output.
ALTERNATE OUT	Not used
ALG STATUS	Not used

8.2.3.1.5 FLEXIBLE COMBINER

Flexible combiner application combines up to eight analog and up to eight digital input values using programmed equations to provide up to provide up to eight analog outputs and four digital outputs.

We are utilizing the flexible combiner application to disable the second AO in split condenser mode.

Figure 38 GENERAL TAB SCREEN SHOT

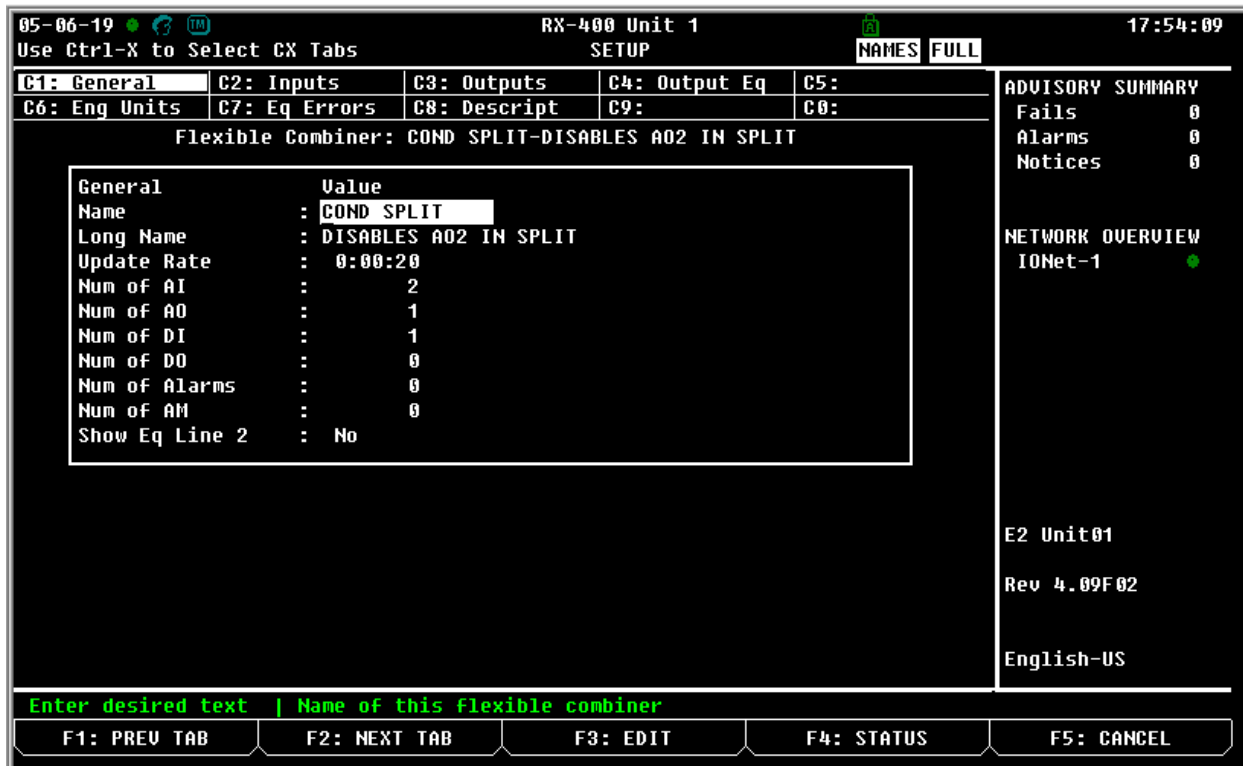


Table 28 GENERAL TAB DESCRIPTION

Field	Description
Name	Specify the name for flexible combiner application
Long Name	Specify further details if needed like functionality, etc.
Update Rate	Determines how fast this flexible combiner application within the E2 controller operates.
Num of AI	Define to use two analog inputs.
Num of AO	Define to provide one analog output.
Num of DI	Define to use one digital input.
Num of DO	Not used.
Num of Alarms	Not used.
Num of AM	Not used.
Show Eq Line 2	Not used.

Figure 39 INPUTS TAB SCREENSHOT

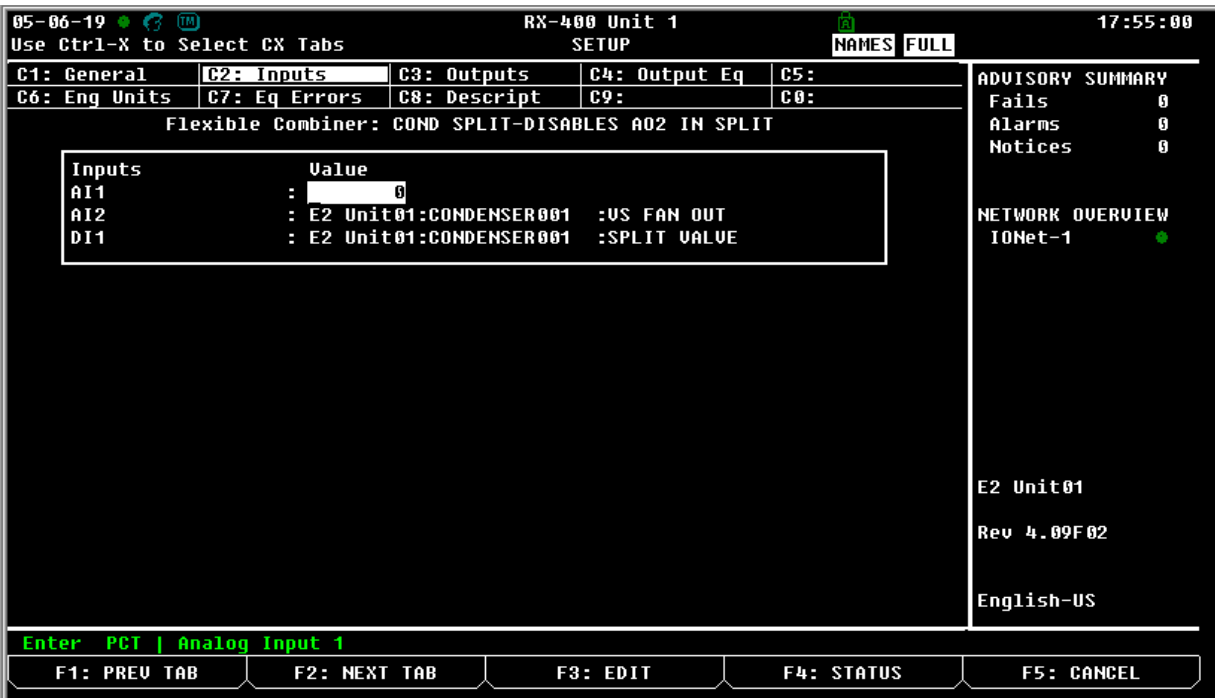


Table 29 INPUTS TAB DESCRIPTION

Field	Description
AI1	Specified to be a constant 0 as we need to turn of the analog output.
AI2	Associated with an analog output generated to control section 1 in the condenser application.
DI1	Associated with a digital output generated to control split valve in the condenser application.

Figure 40 OUTPUTS TAB SCREENSHOT

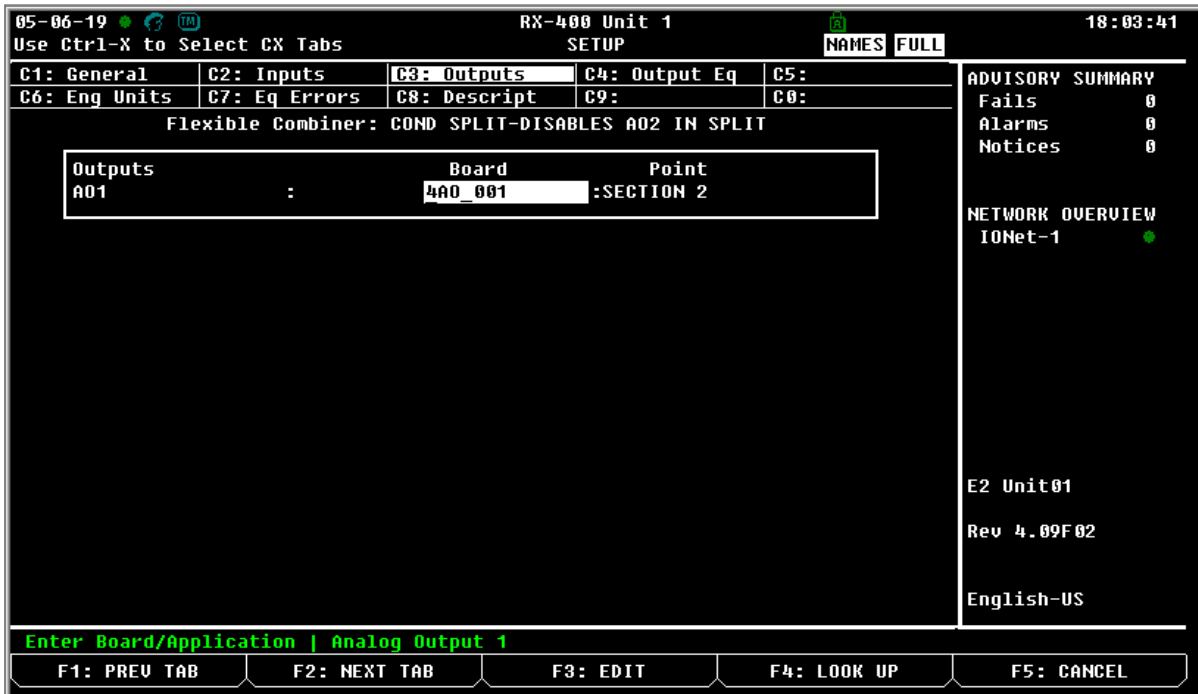


Table 30 OUTPUTS TAB DESCRIPTION

Field	Description
AO1	For our application this is associated to control the section 2 fans.

Figure 41 OUTPUT EQ TAB SCREENSHOT

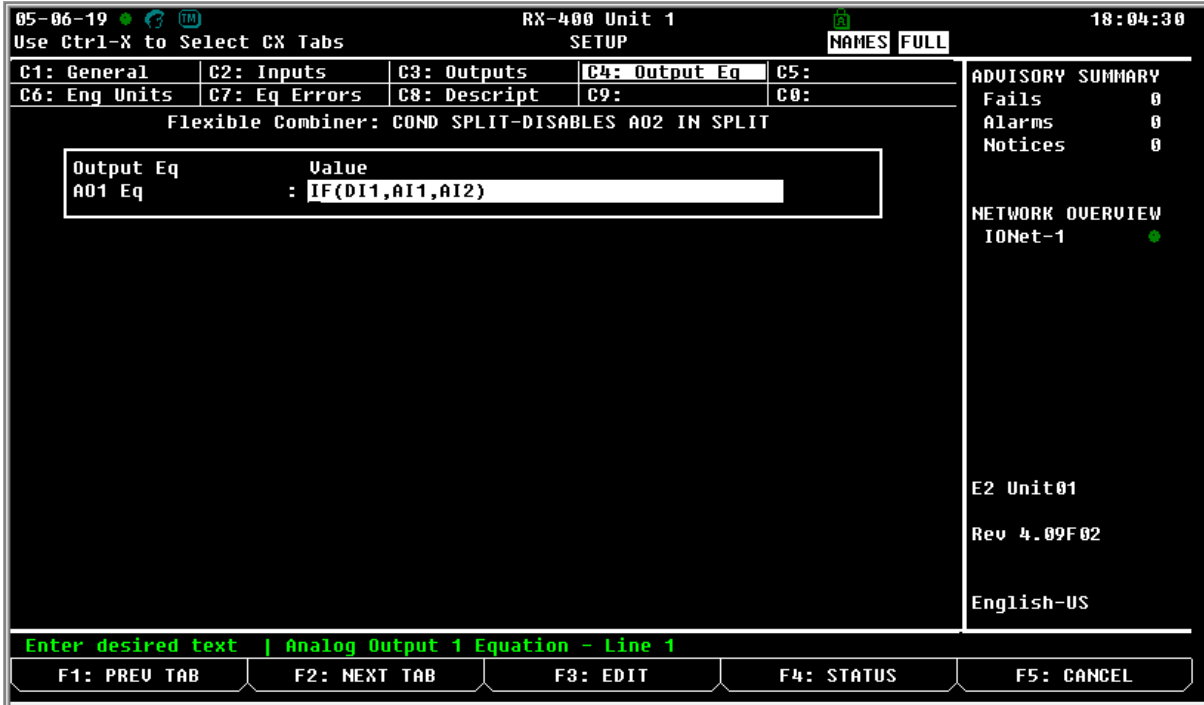


Table 31 OUTPUT EQ TAB DESCRIPTION

Field	Description
AO1 Eq	When the digital input 1 is ON, AO1 is set to AI1. When the digital input 1 is OFF, AO1 is set to AI2.

Figure 42 ENG UNIT TAB SCREENSHOT



Table 32 ENG UNITS TAB DESCRIPTION

Field	Description
AI1 Eng Unit	Specifies the analog input 1 engineering units for flexible combiner. <i>Notes: For our application this is specified to be percentage.</i>
AI2 Eng Unit	Specifies the analog input 2 engineering units for flexible combiner. <i>Notes: For our application this is specified to be percentage.</i>
DI1 Eng Unit	Specifies the digital input 1 engineering units for flexible combiner. <i>Notes: For our application this is specified to be percentage.</i>

Figure 43 DESCRIPT TAB SCREENSHOT

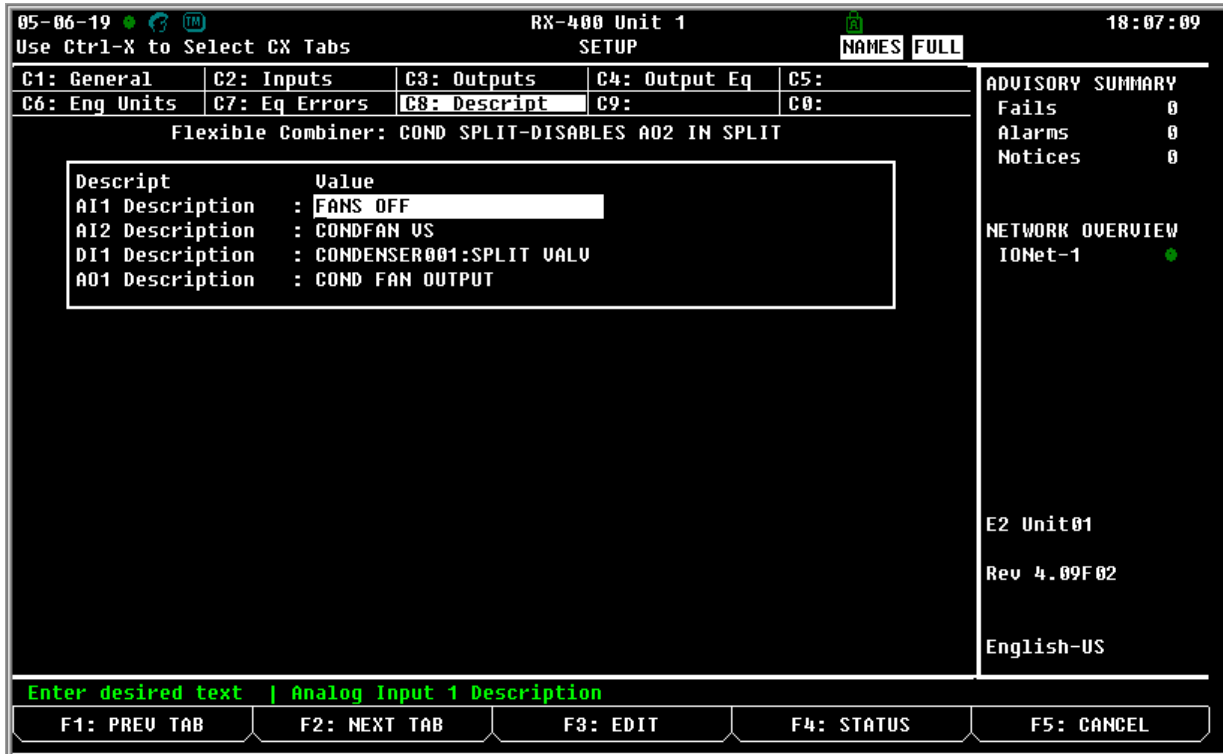


Table 33 DESCRIPT TAB DESCRIPTION

Field	Description
AI1 Description	Used to provide additional analog input 1 description for flexible combiner.
AI2 Description	Used to provide additional analog input 2 description for flexible combiner.
DI1 Description	Used to provide additional digital input 1 description for flexible combiner.
AO1 Description	Used to provide additional analog output 1 description for flexible combiner.

8.2.3.2 TROUBLESHOOTING

Table 34 E2 MULTIFLEX TROUBLESHOOTING

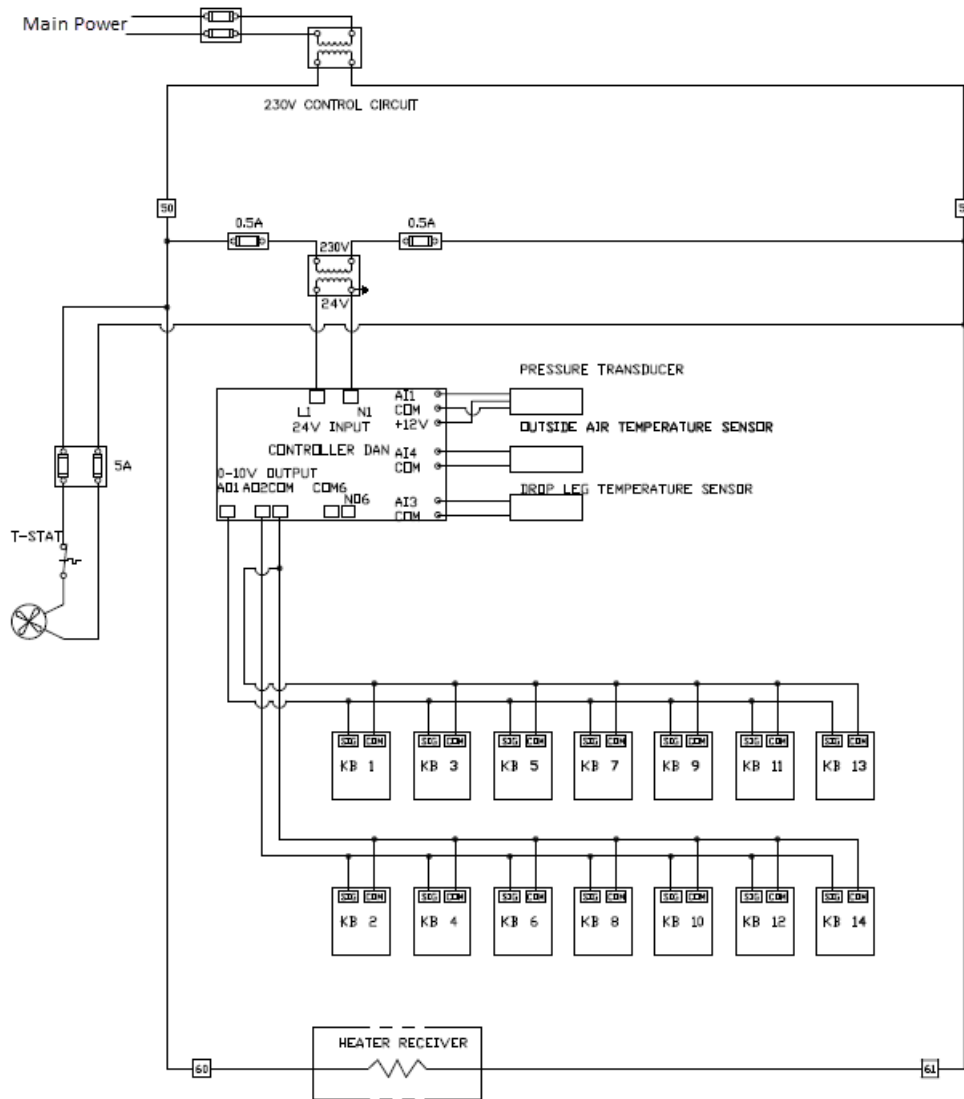
SYMPTOM	POSSIBLE PROBLEM	SOLUTION
I/O Network Problems	I/O board not getting power.	Check I/O board power--is the green STATUS light on? If not, check power wiring connections, and use a multimeter to verify the board is getting 24VAC. Reset power to board.
	I/O board not communicating or won't come online.	Check I/O network connections: 1. Check wire polarity (positive to positive/negative to negative) 2. Check for broken or loose wires.
	Dip switches are set incorrectly.	Check I/O board network dip switches. Verify network ID number is not a duplicate and that baud rate switches are set to 9600. (If switches are wrong, make changes and then reset the controller.)
	Terminating resistance jumpers are set incorrectly.	Check for proper setting of terminating resistance jumpers. Network segment should be terminated on the two endpoints of the daisy chain and unterminated everywhere else.
	Boards are not powered.	Check Network/Power voltages.
Problems with Condenser	Condenser will not operate.	Verify that E2 is programmed with proper number of fans. 1. Highlight the General tab (C1) in the Condenser Setup screen. 2. Is the correct number of fans in the Number of Fans field?
	Incorrect board and point settings.	Confirm proper board and point settings: Go to the Inputs tab (C3) in the Condenser Setup screen to check PRES CTRL IN and DISCH TRIP IN.
	Fail-Safe wiring on 8RO is incorrect.	Verify proper fail-safe switch positions on the 8RO board. The fail-safe dip switches are labeled S2 on the 8RO and S3 on the 8ROe and 8IO. Set the rocker UP (ON) to close the relay and turn the output ON during network failure. Set the switch DOWN (OFF) to open the relay and turn the output OFF during network failure.
	Condenser will not split.	Enable the condenser to split.

		Go to General tab (C1) in the Condensers Setup screen and set the Split Enable field to Yes .
	Unsplit setpoint is set too low.	Unsplit setpoint value is compared with discharge pressure value instead of temperature. Enter the value in terms of discharge pressure. Go to Setpoints tab (C2) in the Condensers Setup screen and check that the UNSPLIT STPT field value has been entered as a pressure value.
	Half of the fans are not running.	Check the split fan relay output: 1. Go to the Other Outs tab (C7) in the Condensers Setup screen and check that SPLIT FAN has a board and point assignment. 2. Verify Split is enabled: Go to General tab (C1) in the Condensers Setup screen and set the Split Enable field to Yes . 3. Verify output is ON.
Problems with Temp Sensor or Pressure Transducer Displaying Proper Value	16AI input dip switches are set improperly	The 16 dip switched on the 16AI board correspond to each of the inputs: Dip Switches Up = Temperature sensor Dip Switches Down = Pressure Transducer
	Incorrect board and point address	Set Proper board and point setting for both input and output: Go to the Inputs tab in the application's Setup screen and check Board and Point
	Incorrect sensor type	1. Verify that the sensor type in E2 is the same as the sensor installed. 2. From the Main Menu, select System Configuration (7) and Input Definitions (1). 3. Highlight the desired input and press F1 (SETUP) to check Sensor Type.

8.2.4 DANFOSS CONTROLLER

Condensers are built with MCX06D programmable controller fitted with LCD display.

Figure 4 DANFOSS MCX06D CONTROLLER WIRING DIAGRAM



8.2.4.1 CONNECTIVITY

Following are the two methods in which the Danfoss MCX06D controller can be accessed:

- a. Local display on the controller.
- b. Programmable controller MMIMYK.

8.2.4.1.1 MCX06D LOCAL DISPLAY INTERFACE

Utilize the controller display (provided with backlight) to view the system status on the home screen as illustrated in the following figure.

Figure 45 MCX06D CONTROLLER LOCAL DISPLAY



Home screen displays following information:

1. Condensing temperature
2. Condensing target temperature
3. Fan speed (%)
4. Split condenser status (ON/OFF)
5. Application status
6. Control input (Discharge pressure/Drop leg temperature)

Following table provides information regarding 4 keys functionality from home screen:

Table 35 KEYS FUNCTIONALITY IN HOME SCREEN

KEY Label	Description
CANCEL	<ol style="list-style-type: none"> 1. In home screen, when selected navigates to alarm status screen. 2. In any other screen, when selected navigates back to previous screen.
UP	<ol style="list-style-type: none"> 1. In home screen, not programmed. 2. In appropriate screens, utilized to increase the value.
DOWN	<ol style="list-style-type: none"> 1. In home screen, when selected navigates to inputs status screen. 2. In appropriate screens, utilized to decrease the value.
ENTER	<ol style="list-style-type: none"> 1. In home screen, when selected navigates to main menu screen. 2. In appropriate screens, utilized to update the modified parameter.

8.2.4.1.2 PROGRAMMABLE CONTROLLER MMIMYK

MMIMYK controller performs the following functions:

- Programming module
- Gateway
- Data logger

MMIMYK also supports the following interfaces:

- CANbus interface to connect to MCX controllers.
- SD/MMC card slot to support software upload and datalogging.
- Modbus RS485 serial interface

Figure 46 MMIMYK CONNECTION DIAGRAM

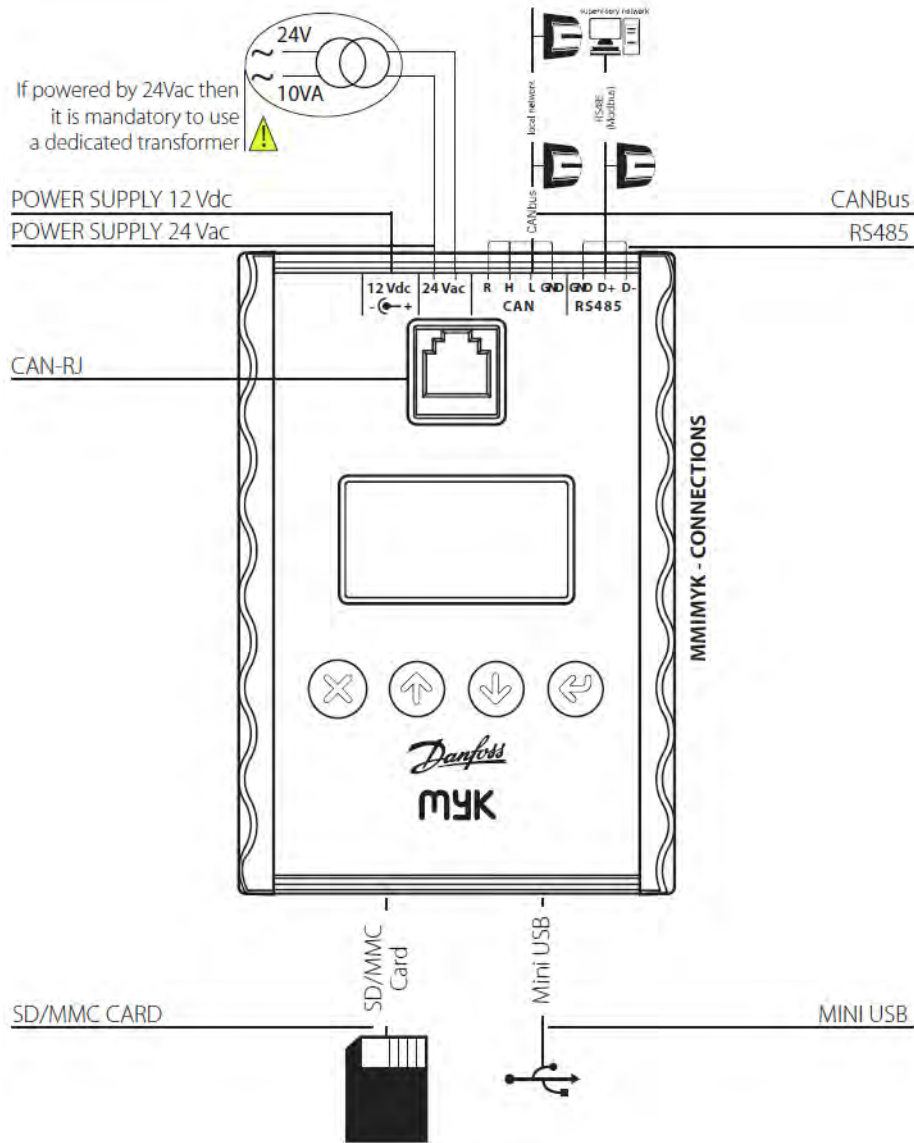
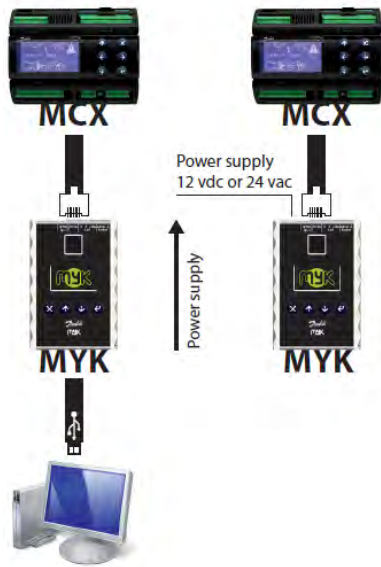
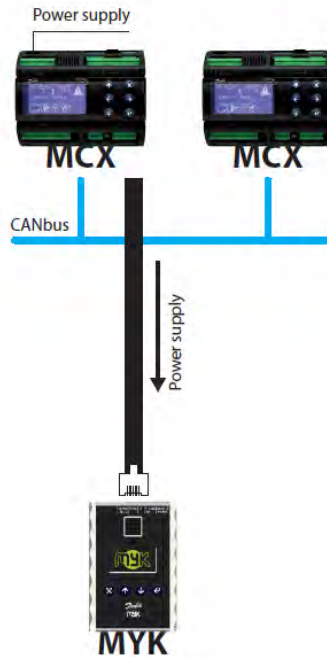


Figure 47 MMIMYK NETWORK DIAGRAM

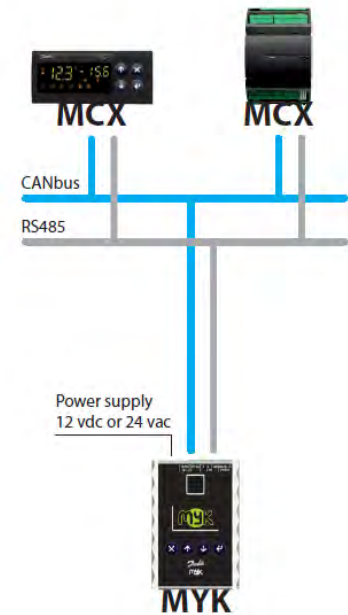
DIRECT CONNECTION TO MCX
MMIMYK supplies power to MCX (programming function)



NETWORK CONNECTION
MMIMYK powered by MCX



NETWORK CONNECTION
MMIMYK externally powered



8.2.4.1.2.1 APPLICATION SOFTWARE UPDATE

Following figure illustrates MMIMYK connection to MCX06D controller through CANbus network. The MMIMYK can be powered either through USB to PC connection or external power supply.

Figure 48 MMIMYK CONNECTIONS - CANBUS TO MCX06D



Microchannel Remote Air Cooled Condensers (PN E660159_M)

To upload the latest application to MCX06D controller, both the latest app.pk and mmimykcfg files must be loaded into an SD-Card and insert upside down into MMIMYK. Navigate the menu as follows:

- Select PROGRAM and press ENTER button.
- Select DOWNLOAD and press ENTER button.
- Using DOWN button select 1:/ folder and press ENTER button.
- Using DOWN button select /cond and press ENTER button.
- Select ALL and press ENTER button.
- MMIMYK would start downloading.
- MMIMYK displays FINISHED when transfer is complete.
- Press EXIT button until we get back to the main screen.

8.2.4.1.2.2 WEBSERVER ACCESS

Following steps illustrate how to access MCX06D webserver:

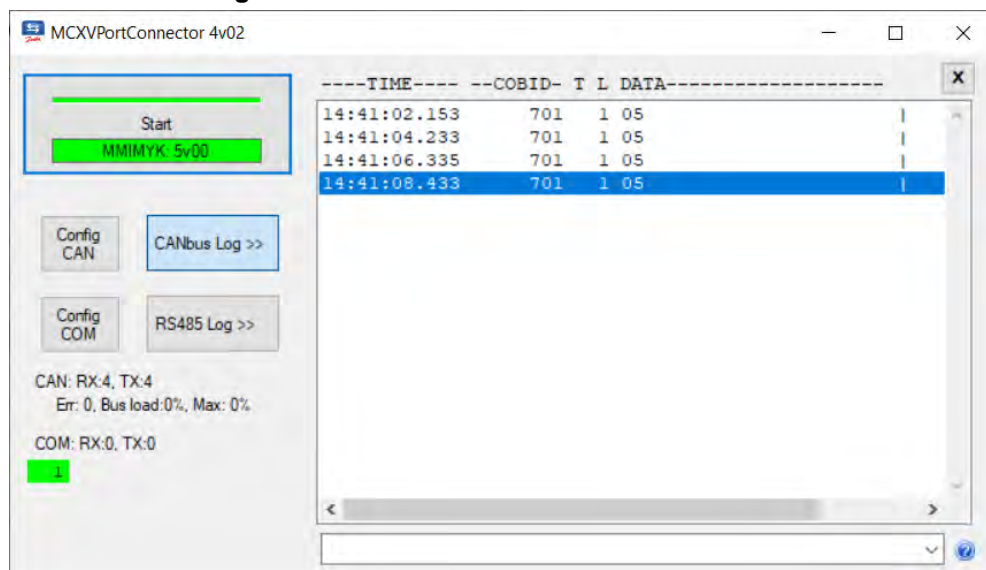
- If not installed, please install MyKManager on our PC.
- Have the Simulator folder downloaded onto your PC.

Figure 49 SIMULATOR FOLDER

Name	Date modified	Type	Size
MCXWEB	5/7/2019 9:23 AM	File folder	
app.pk	5/16/2019 8:26 AM	PK File	89 KB
DEITUtils.dll	5/7/2019 3:16 AM	Application extens...	193 KB
devices	3/13/2015 9:41 PM	Configuration setti...	10 KB
EEPROM_1.dat	9/23/2019 2:29 PM	DAT File	17 KB
FTD2XX_NET.dll	8/2/2017 9:13 AM	Application extens...	69 KB
ioEmulator_1.dat	7/23/2019 4:45 PM	DAT File	2 KB
MCXVPortConnector	5/7/2019 3:16 AM	Application	177 KB
MyKLibrary.dll	5/7/2019 3:16 AM	Application extens...	62 KB
NSimulator	8/2/2017 9:13 AM	Application	69 KB
NVMDebugDLL.dll	2/12/2019 8:59 AM	Application extens...	168 KB
NVMDebugger	5/7/2019 3:16 AM	Application	980 KB
nvmfontcDLL.dll	2/12/2019 9:06 AM	Application extens...	219 KB
Simulation_1.dat	9/23/2019 2:29 PM	DAT File	3 KB
Simulator	1/10/2014 8:55 AM	Windows Batch File	1 KB

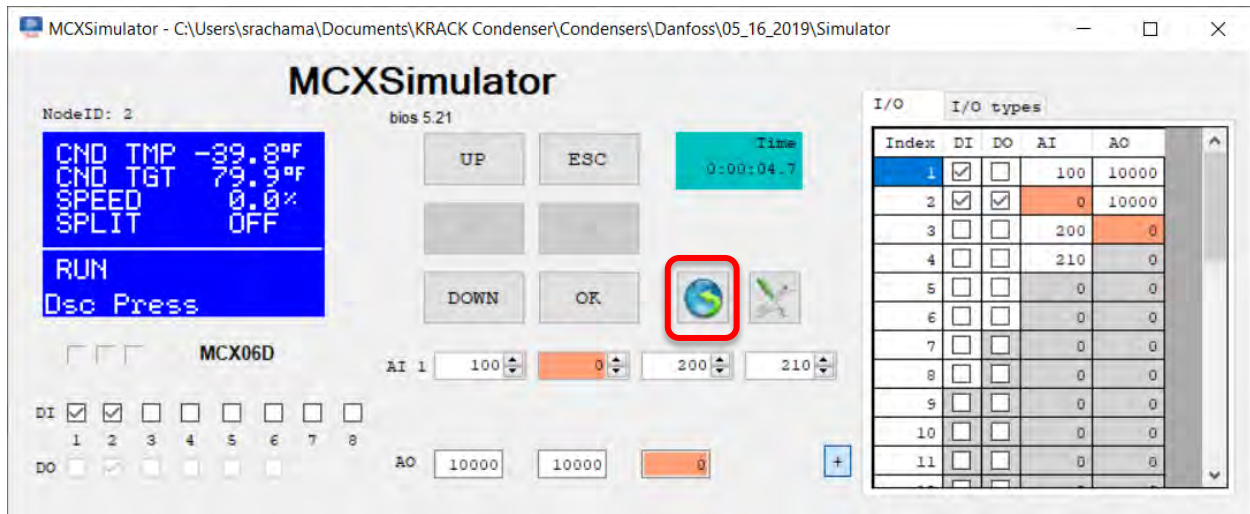
- Run MCXVPortConnector application as highlighted in Figure 47. Select Start and the datalogger shall be running.

Figure 50 MCXVPortConnector DATALOGGER



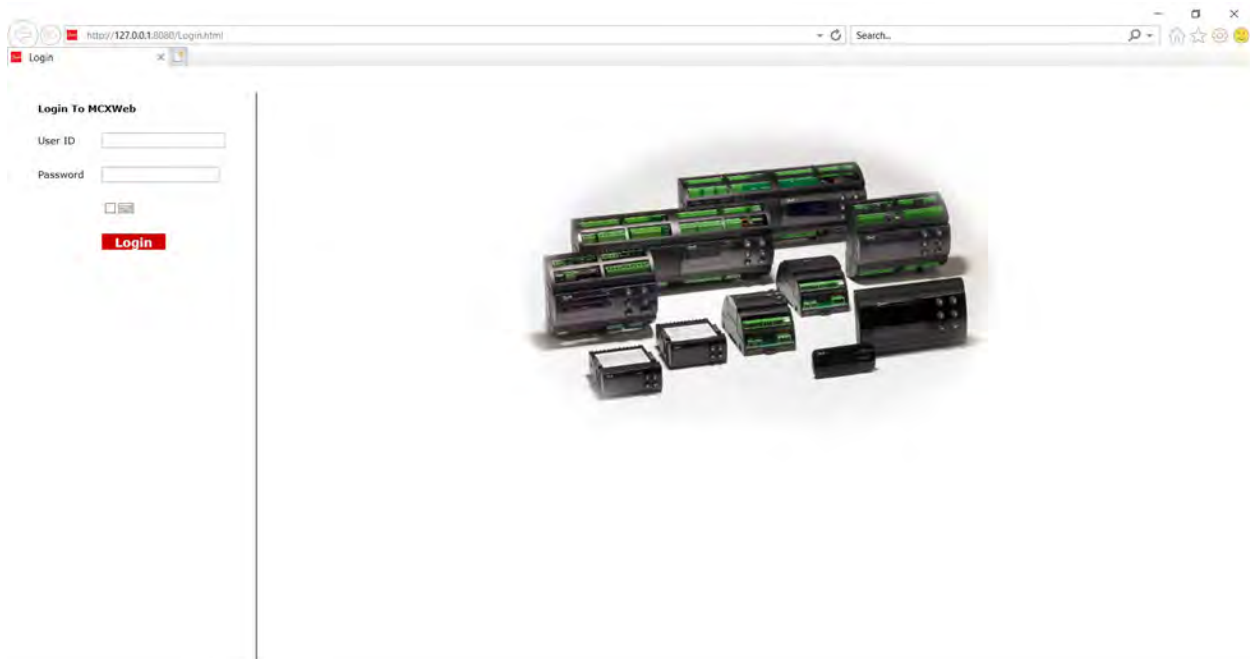
- Select the Simulator batch file as illustrated in Figure 47 and let it run.

Figure 51 MCXSimulator



- Select the Globe icon as illustrated in Figure 49 and a web browser will pop as illustrated below:

Figure 52 MCXWeb INTERFACE



- Use following credentials to login to the controller.
User ID: admin
Password: PASS
- Wait until the page refreshes and displays the devices available.
Select VSCond device to view the application status, update parameters, view any existing alarms in the system, graph the parameters over time, etc.

Following figures show few of the screens available in the web interface.

Figure 53 MCXWeb - DEVICE LIST

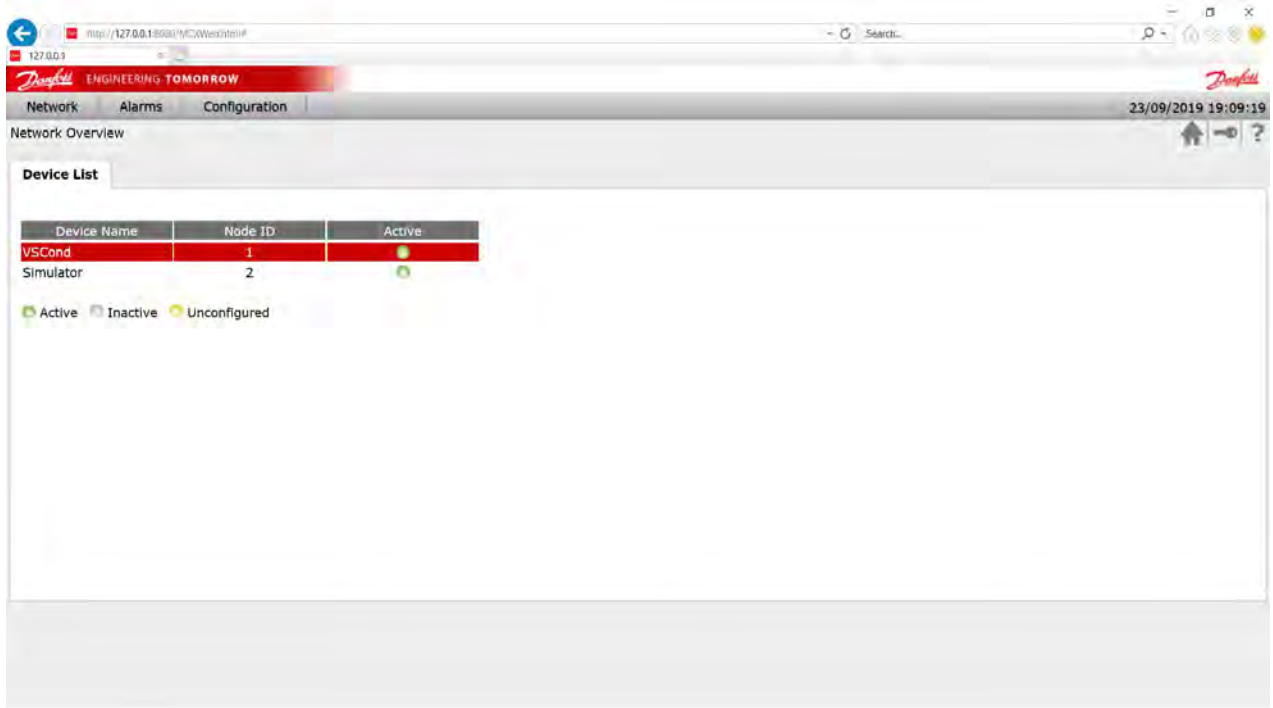


Figure 54 MCXWeb - OVERVIEW TAB

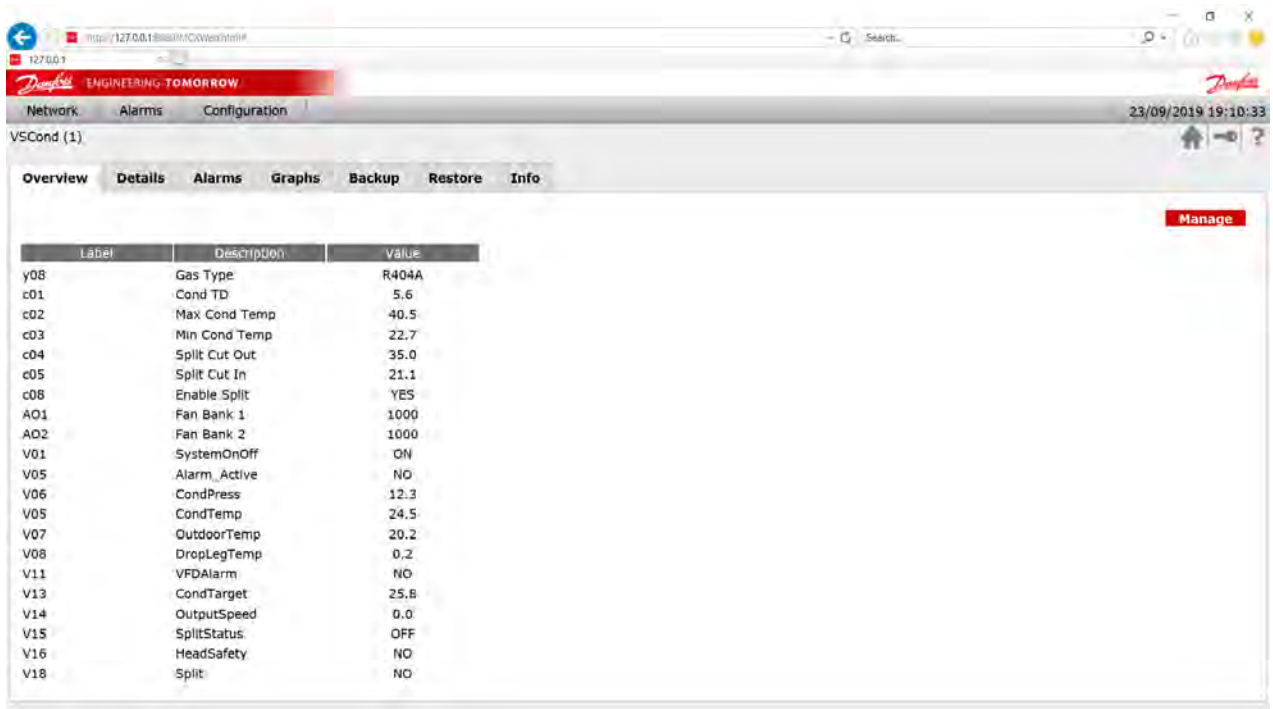


Figure 55 MCXWeb - DETAILS TAB

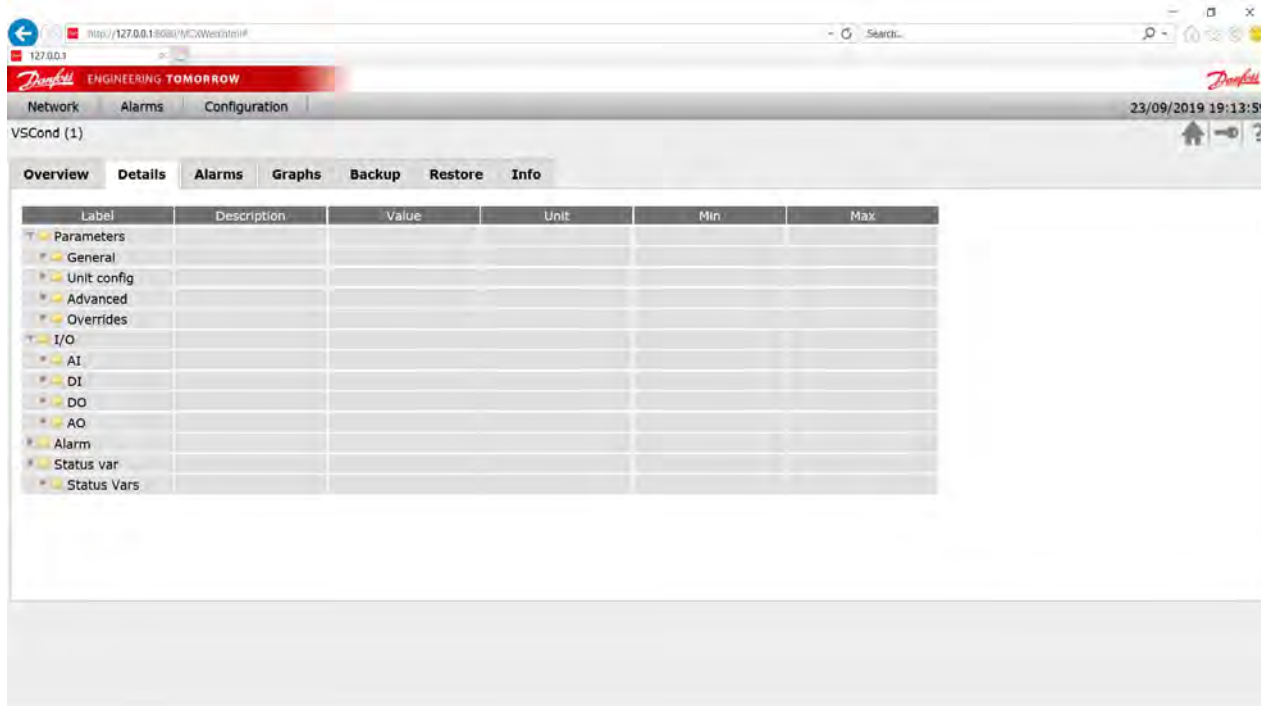


Figure 56 MCXWeb - GRAPHS TAB



8.2.4.2 COMMISSIONING

The Condenser Control application increases or decreases the airflow across the condenser coil surface by modulating condenser variable speed fans via analog output(s) to maintain a minimum amount of difference between either condensing temperature (calculated from discharge pressure) or drop leg temperature and the outside ambient temperature.

8.2.4.2.1 MAIN MENU ACCESS

By default, the application allows the user to access Main Menu at Level 0. To view the extended version of Main Menu, the user needs to enter login credentials

The controller supports three levels of accessibility:

- a. L1 – password (100)
- b. L2 – password (200)
- c. L3 – password (300)

Navigate to Main Menu at Level 0 by pressing the ENTER button on home screen.

Figure 57 MAIN MENU L0



Navigate to Password screen by selecting “Login” and pressing ENTER button. Utilize UP and DOWN buttons to enter 300 as password and press ENTER button.

Figure 58 LEVEL 3 PASSWORD



Following figure illustrates the Main Menu at Level 3.

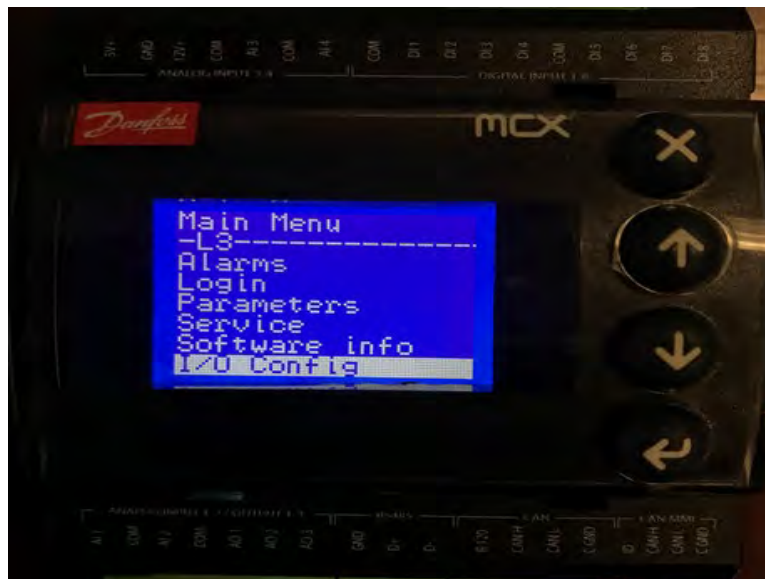
Figure 59 MAIN MENU L3



8.2.4.2.2 I/O CONFIG

Scroll to select “I/O Config” option on the Main Menu at Level 3 and press ENTER button for the application to navigate to I/O Config screen.

Figure 60 I/O CONFIG SELECTION



The application provides following options under I/O Config Menu:

Table 36 I/O CONFIG MENU

S. No.	Option	Description
1	Analog Input	Allows the user to configure analog inputs for the application.
2	Analog Output	Allows the user to configure analog outputs for this application.

Figure 61 I/O CONFIG SCREEN



Select “Analog Input” option on I/O Config screen and press ENTER button for the application to navigate to Analog Input Setup screen.

Following are the analog inputs necessary for the Condenser Control application:

- Discharge pressure transducer
- Drop leg temperature sensor
- Outdoor ambient temperature sensor

Figure 5 ANALOG INPUT SETUP SCREEN



Select an analog input and press ENTER button for the application to navigate to the corresponding analog input screen.

Following are the settings available for each analog input:

Table 37 ANALOG INPUT MENU

S.No.	Option	Description
1.	FUN	Allows to select one of the inputs defined in the application.
2.	TYPE	Allows to select the input type from the defined options.
3.	CAL	Allows to define the calibration offset.
4.	MIN	Defines the minimum valid value.
5.	MAX	Defines the maximum valid value.
6.	DEL	Defines the delay time for error detection.
7.	ERR	Enables or disables error detection.

Figure 63 ANALOG INPUT SCREEN



Select “Analog Output” option on I/O Config screen and press ENTER button for the application to navigate to the Analog Output Setup screen.

Following are the analog outputs being controlled by the Condenser Control application:

- Fan bank 1
- Fan bank 2

Figure 64 ANALOG OUTPUT SETUP SCREEN



Select an analog output and press ENTER button for the application to navigate to the corresponding analog output screen.

The following are the settings available for each analog input:

Table 38 ANALOG OUTPUT MENU

S.No.	Option	Description
1.	FUN	Allows to select one of the outputs defined in the application.
2.	TYPE	Allows to select the output type from the defined options.

Figure 65 ANALOG OUTPUT SCREEN



8.2.4.2.3 PARAMETERS

Scroll to select “Parameters” option on the Main Menu at Level 3 and press ENTER button for the application to navigate to Parameters screen.

Figure 66 PARAMETERS SELECTION



The application provides following options under Parameters Menu:

Table 39 PARAMETERS MENU

S. No.	Option	Description
1.	General	Allows to update controller settings.
2.	Unit Config	Allows to update application settings.
3.	Advanced	Allows to update advanced application settings.
4.	Overrides	Allows to override inputs and outputs.

Figure 67 PARAMETERS SCREEN



8.2.4.2.3.1 GENERAL

Scroll to select “General” option on the Parameters screen and press ENTER button for the application to navigate to General screen.

Figure 68 GENERAL SCREEN



General screen provides following options for further selection:

Table 40 GENERAL MENU

S. No.	Option	Description
1.	Configuration	Configure buzzer and alarm related parameters.
2.	Serial settings	Configure serial communication settings.
3.	Password	Configure passwords for 3 levels of access.
4.	Setup	Configure system related parameters.
5.	Reset VFD	Reset VFD (Sets AO to 10VDC for 2 seconds and auto clears).

The following table lists the parameters available under Configuration:

Table 41 GENERAL – CONFIGURATION PARAMETERS

Label	Parameters	Description	Min	Max	Default	Unit
BUZ	Buzzer activation time	Defines the on time for which the buzzer will be active	0	15	1	Min
AdL	Alarm relay activation delay	Defines the delay from the point of alarm generation after which the alarm relay would be active	0	999	0	Sec
AOF	Alarm relay active if unit in OFF	Defines whether alarm relay would be active or not when the application is turned OFF	0	1	1 – YES	Enum 1

The following table lists the parameters available under Serial Settings:

Table 42 GENERAL – SERIAL SETTINGS PARAMETERS

Label	Parameters	Description	Min	Max	Default	Unit
SEr	Serial address	Defines the device address for both MODBUS and CANbus networks	1	100	1	
bAU	Serial baudrate	Defines the serial communication baud rate for MODBUS network	0	8	8 – 384	Enum 2
COM	Serial settings	Defines the serial communication settings for MODBUS Network	0	2	1 – 8E1	Enum 1

The following table lists the parameters available under Password:

Table 43 GENERAL – PASSWORD PARAMETERS

Label	Parameters	Description	Min	Max	Default	Unit
L01	Password level 1	Defines the password for level 1 access	0	999	100	
L02	Password level 2	Defines the password for level 2 access	0	999	200	
L03	Password level 3	Defines the password for level 2 access	0	999	300	

The following table lists the parameters available under Setup:

Table 44 GENERAL – SETUP PARAMETERS

Label	Parameters	Description	Min	Max	Default	Unit
y01	ON/OFF	Enable or disable the condenser control application	0	1	1 - ON	Enum 5

y05	Temp Units	Defines the temperature units	0	1	1 – F	Enum 4
y07	Restore default parameters	When selected restores the parameters to default values	0	1	0 – NO	Enum 1
y08	Gas Type	Select the appropriate refrigerant	0	41	39 – R448A	Enum 6
y09	Advanced Menu		0	1	0 – NO	Enum 1

8.2.4.2.3.2 UNIT CONFIG

Scroll to select “Unit Config” option on the Parameters screen and press ENTER button for the application to navigate to Unit Config screen.

Figure 69 UNIT CONFIG SELECTION



Unit config menu provides following options for further selection:

Table 45 UNIT CONFIG PARAMETERS

Label	Parameters	Description	Min	Max	Default	Unit
c01	Cond TD	Defines the temperature differential setpoint	0	50	10.1	°F
c02	Max Cond Temp	Defines the maximum condensing temperature for operation	0	100	104.9	°F
c03	Min Cond Temp	Defines the minimum condensing temperature for operation	0	0	72.9	°F
c04	Split Cut Out	Defines the OAT setpoint above which the application exits the split condenser mode.	0	100	95	°F
c05	Split Cut In	Defines the OAT setpoint below which the application enters the split condenser mode	0	0	70	°F
c06	Head Safety Alarm	Defines the discharge pressure setpoint above which the alarm would be generated	0	100	345.1	PSI

c07	Select Input	Selects the input for control logic to be either Discharge pressure or Drop leg temperature				
c08	Enable Split	Enable or disable the split condenser feature in the system	0	1	0 – NO	Enum 1

8.2.4.2.3.3 OVERRIDES

Scroll to select “Overrides” option on the Parameters screen and press ENTER button for the application to navigate to Overrides screen.

Figure 70 OVERRIDES SELECTION



Overrides menu provides the following options for further selection:

Table 46 OVERRIDES PARAMETERS

Label	Parameters	Description	Min	Max	Default	Unit
Oe1	Disc Press	Enables or disables discharge pressure input override feature	0	1	0 = NO	Enum 1
Ov1	Disc Press	Defines the override value for discharge pressure input	-50.0	200.0	0.0	Bar
Oe2	Drop Leg	Enables or disables drop leg temperature input override feature	0	1	0 = NO	Enum 1
Ov2	Drop Leg	Defines the override value for drop leg temperature input	-50.0	500.0	0.0	°C
Oe3	Outdoor temp	Enables or disables outdoor temperature input override feature	0	1	0 = NO	Enum 1
Ov3	Outdoor temp	Defines the override value for outdoor temperature input	-50.0	500.0	0.0	°C
Oe4	Fan 1	Enables or disables fan 1 output override feature	0	1	0 = NO	Enum 1
Ov4	Fan 1	Defines the override value for fan 1 output	0.0	100.0	0.0	%

Oe5	Fan 2	Enables or disables fan 2 output override feature	0	1	0 = NO	Enum 1
Ov5	Fan 2	Defines the override value for fan 2 output	0.0	100.0	0.0	%
Ov6	Split	Forces split ON/OFF	0	1	0 = AUTO	

8.2.4.2.4 ALARMS

Scroll to select “Alarms” option on the Main Menu at Level 3 and press ENTER button for the application to navigate to Alarms screen.

Figure 71 ALARMS SELECTION



The application provides the following options under Parameters Menu:

Table 47 ALARMS MENU

S. No.	Option	Description
1.	Active Alarms	Displays active alarms.
2.	Reset Alarms	Displays alarms that were reset.
3.	Log History	Displays the log of alarms.
4.	Clear Log History	Commands to clear the log history.

Figure 72 ALARMS SCREEN



8.2.4.3 TROUBLESHOOTING

Table 48 DANFOSS CONTROLLER APPLICATION TROUBLESHOOTING

Alarm	Description	Corrective Action
Discharge Pressure Fault	Discharge pressure transducer failure is shorted, open or detecting the pressure out of range.	<ul style="list-style-type: none"> ▪ Check for any cable issues or connector issues. ▪ Check that the pressure transducer is landing on the appropriate connector on the board. ▪ Check that the pressure transducer cable is fully inserted into the pressure transducer. ▪ Confirm that the proper transducer is being used in the system.
Outdoor Temp Fault	OAT sensor is shorted, open or detecting the temperature out of range.	<ul style="list-style-type: none"> ▪ Check for any cable issues or connector issues. ▪ Check that the temperature sensor is landing on the appropriate connector on the board. ▪ Check that the temperature sensor probe.
Drop Leg Temp Fault	Drop leg temperature sensor is shorted, open or detecting the temperature out of the range.	
VFD Alarm	VFD reporting fault condition	Please refer to section 8.3
High Pressure Alarm	Discharge pressure raised above the head safety alarm setpoint defined in the application	Auto recovers when the discharge pressure falls below head safety alarm setpoint.

8.2.5 MICROTHERMO

Condensers are built with MT-700 series modular hardware platform which needs to be integrated with the Data Logger for access. The following module are used in this application”

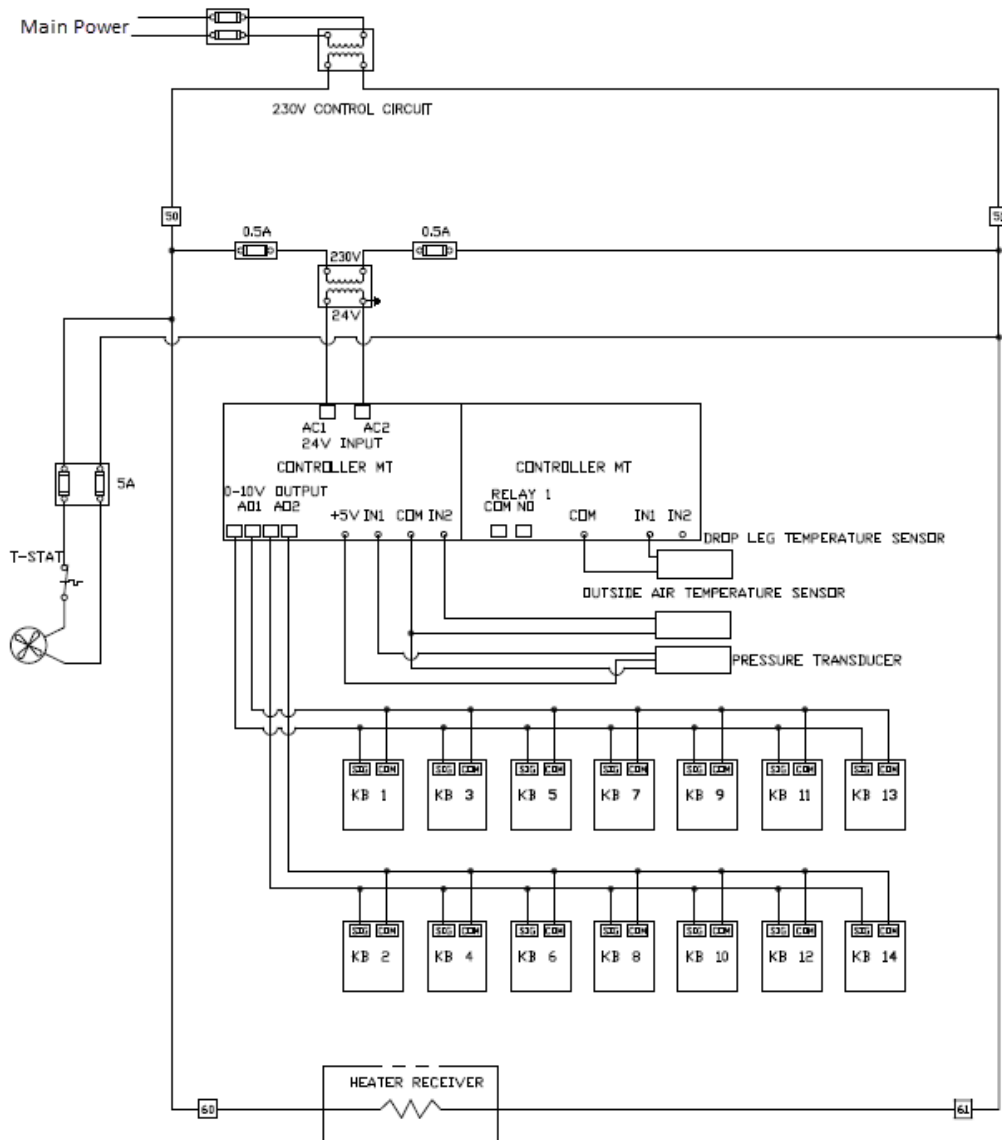
- MT-722F is the main brain module.
- MT-784A is the expansion module that provides 8 universal inputs and 4 relay outputs.

The function of the main controller is determined by the Condenser / Gas Cooler application that is loaded by the MT Alliance software.

Notes:

- Main module supports a maximum of 10 expansion modules.
- Physical order of modules in a train does not matter.

Figure 73 MICROTHERMO MT-722F MT-784A CONTROLLER WIRING DIAGRAM



8.2.5.1 COMMISSIONING

Condenser Gas Cooler (CGC) application is a complete high-side control application. Following sections illustrate how to setup this application through MT Alliance Software on the Data Logger.

8.2.5.1.1 INPUT SETTINGS

Following inputs are necessary for this application:

- Ambient temperature
- Drop leg temperature
- Discharge pressure
- VFD fault

The following figure shows the inputs selection please note that the values shown may not represent your application settings.

Figure 74 INPUT SETTINGS SCREENSHOT

Parameter	Source	Config	Value	Unit
Outside Air Temperature (OAT)	Universal Input (UI)	Config	62.8	°F
Outlet Temperature (COT)	Universal Input (UI)	Config	95.1	°F
Outlet Pressure (COP)	Universal Input (UI)	Config	167.0	psig
Drop Leg Pressure (DLP)	<Calculated Output>	Config	167.0	psig
Discharge Pressure	<None>	Config		

The “Config” button allows each input to be configured either to select a sensor model and assigned to the hardware or to the network variable. It also allows to configure a low-pass filter:

- When the “Time Constant” is set to 0 secs, the filter would be disabled yielding the fastest response.
- A high value provides a more precise measurement, by averaging fluctuations caused by electrical noise, at the expense of a more sluggish response.

Following figures illustrate the controller configuration please not that the values shown may not represent your application settings.

Figure 75 OAT SENSOR CONFIGURATION SCREENSHOT

UI Configuration - Outside Air Temperature

Configuration

Manufacturer: Micro Thermo

Model: 023-0072 Therm 10k T2 Orange Lead

Max Range: 302.0 °F

Min Range: -58.0 °F

Time Constant: 9 s

Refresh Rate: 1.00 s

Calibration: Calibration will be effective immediately when performed and cannot be undone with the cancel button.

Assignment

Module Position: 1

Input #: 2

OK Cancel

Figure 76 DROPLEG SENSOR CONFIGURATION SCREENSHOT

UI Configuration - CGC Out Temp

Configuration

Manufacturer: Micro Thermo

Model: 023-0072 Therm 10k T2 Orange Lead

Max Range: 302.0 °F

Min Range: -58.0 °F

Time Constant: 9 s

Refresh Rate: 1.00 s

Calibration: Calibration will be effective immediately when performed and cannot be undone with the cancel button.

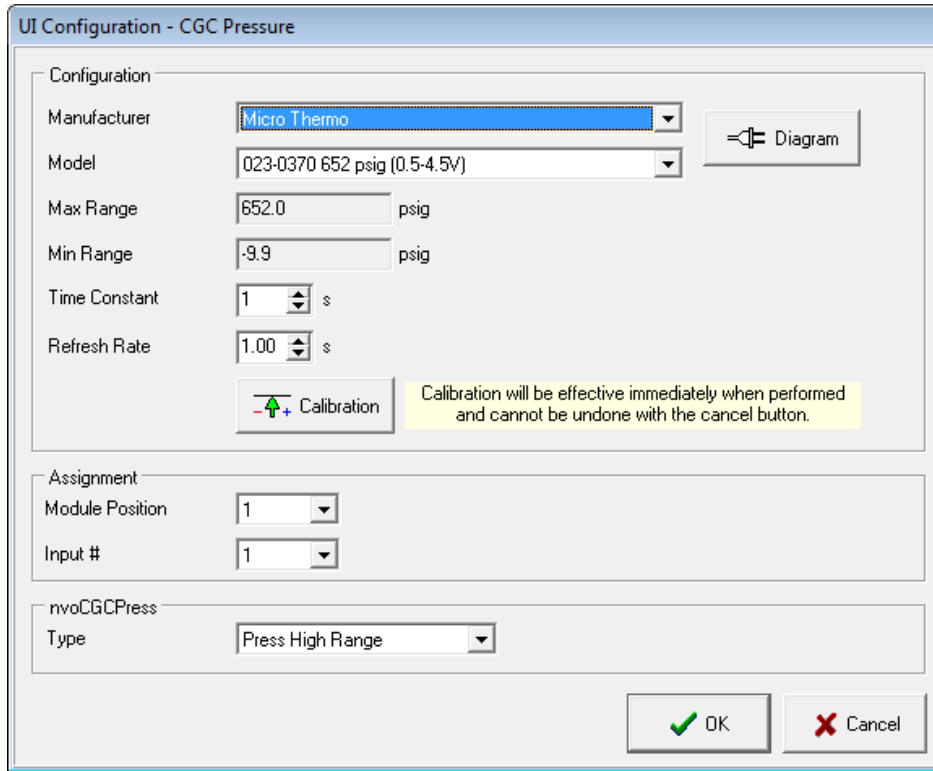
Assignment

Module Position: 2

Input #: 1

OK Cancel

Figure 77 DISCHARGE PRESSURE TRANSDUCER CONFIGURATION SCREENSHOT



Notes: In the MT-700 platform, the physical pressure sensor and the type of output network variable are chosen independently. Plan is to standardize type to be "Press High Range" for all pressures, large or small.

Figure 78 DROP LEG PRESSURE CONFIGURATION SCREENSHOT

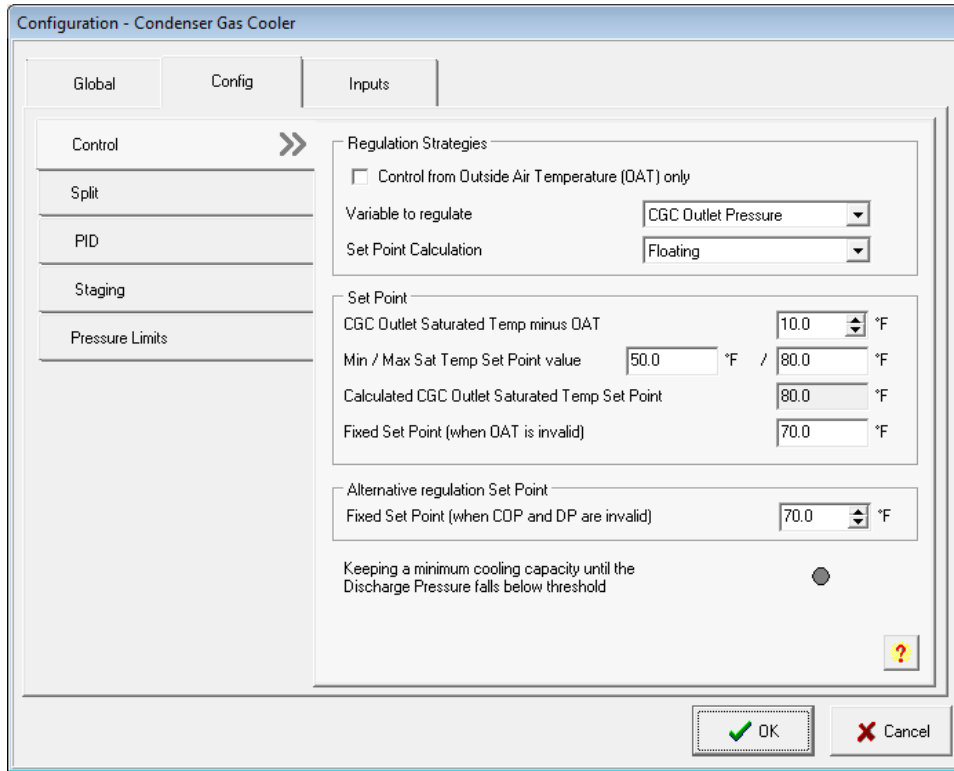


8.2.5.1.2 CONFIGURATION

The CGC application supports regulation strategies either to control outlet temperature or outlet pressure (discharge pressure converted to saturated temperature). For the application shown condenser outlet pressure controlled by maintaining a fixed difference, between outside ambient temperature and the condenser saturated temperature. Also, a floating setpoint rather than the fixed setpoint, which is limited by "Min / Max Sat Temp Set Point value". When the OAT is not available, a "Fixed set point" is the fall back.

When the outlet pressure (discharge pressure) isn't available, the CGC application uses the outlet temperature (drop leg) with reference to "Fixed Set Point (when COP and DP are invalid)"

Figure 79 CGC CONTROL SETTINGS SCREENSHOT



For split condenser system, the section B is shut down when OAT drops below the threshold minus half of the dead band and resumes operation when OAT rises above the threshold plus half of the dead band. The split condenser is disabled when discharge pressure rises above the “Threshold to start maximum refrigeration”.

Figure 80 CGC SPLIT SETTINGS SCREENSHOT

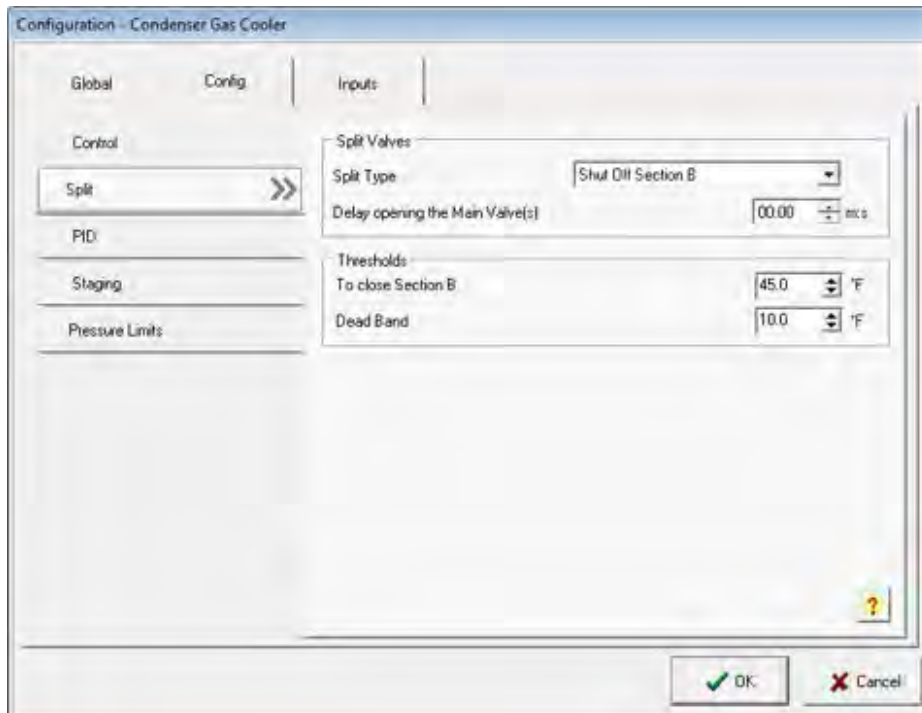
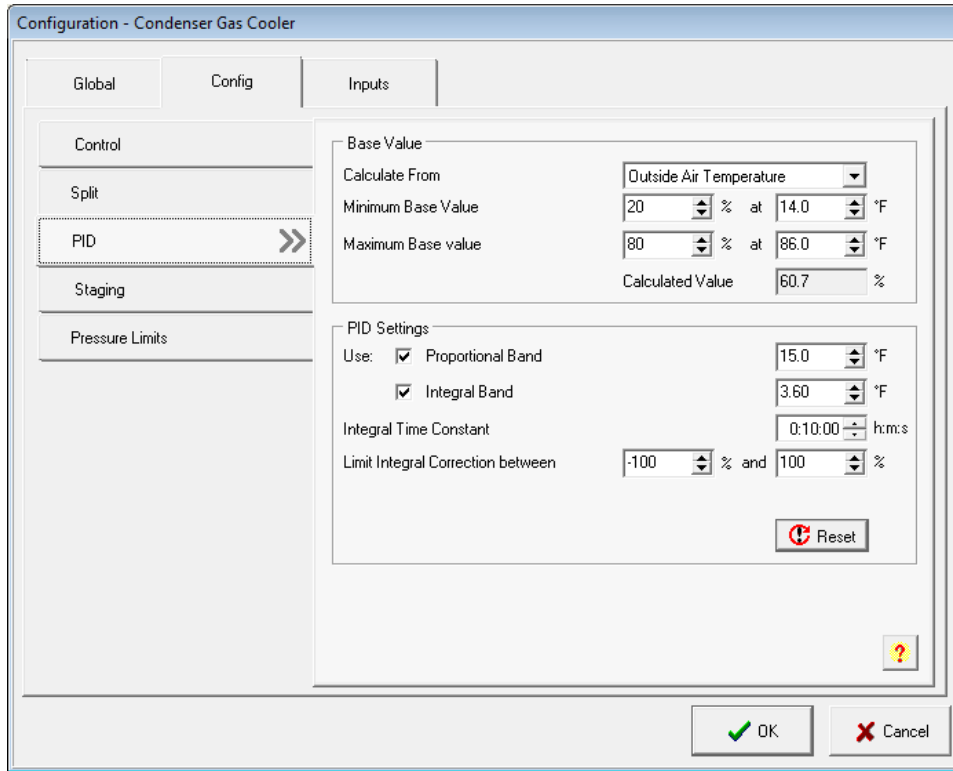


Figure 81 CGC PID SETTINGS SCREENSHOT



Variable speed fans are operated through VFDs therefore one AO is used per section and no fan relay. The minimum and maximum relative capacity are set to 0% and 100%.

Figure 82 CGC STAGING SETTINGS SCREENSHOT

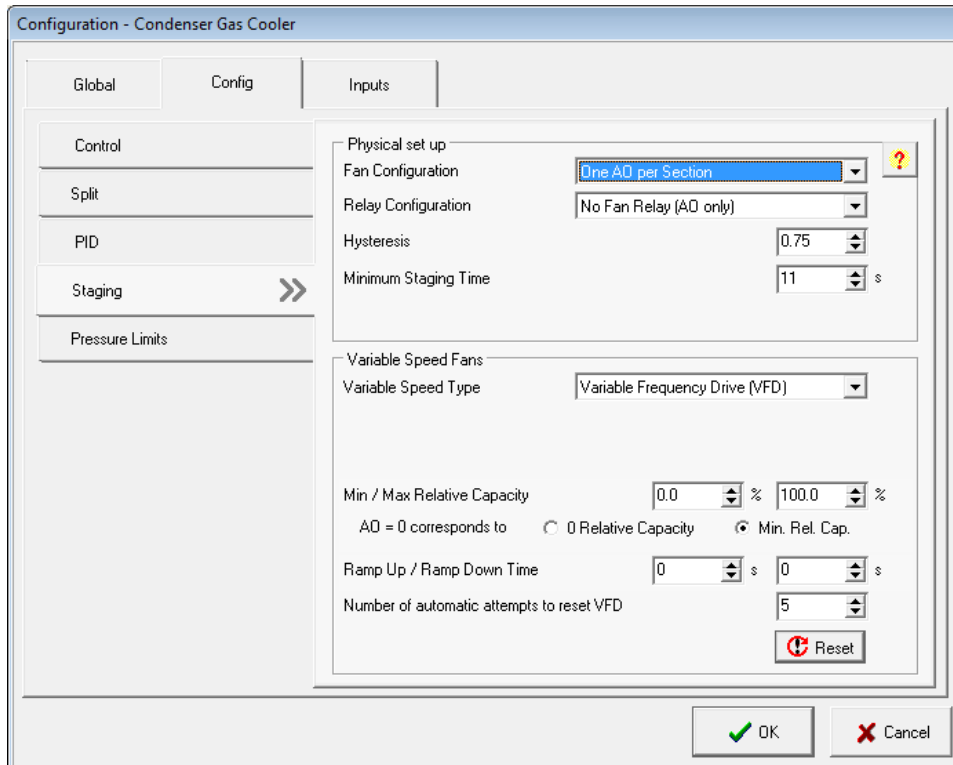
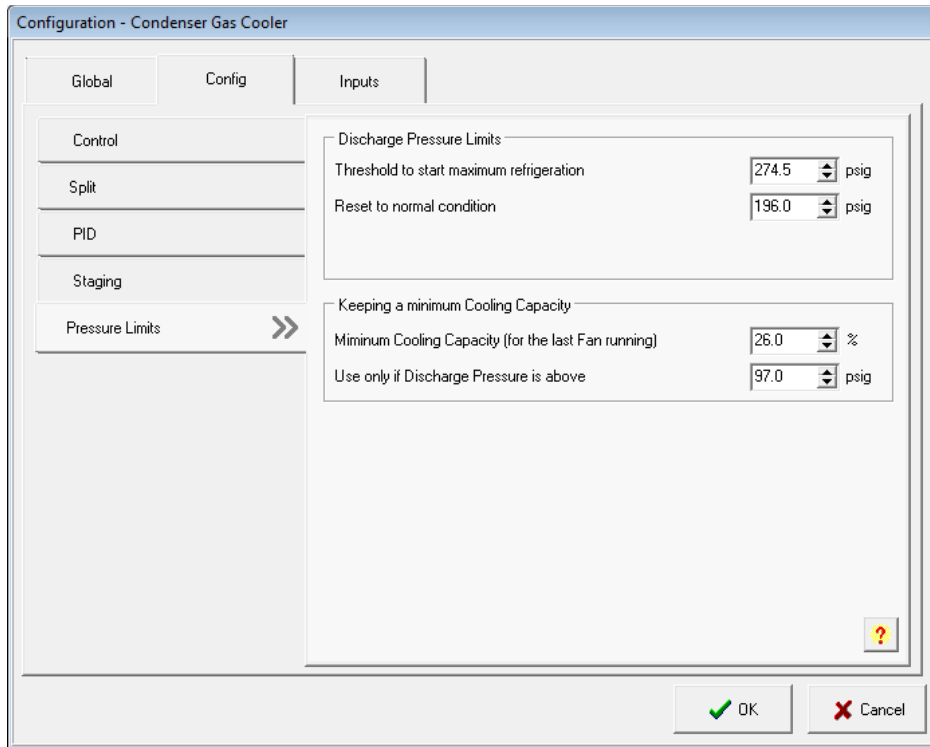


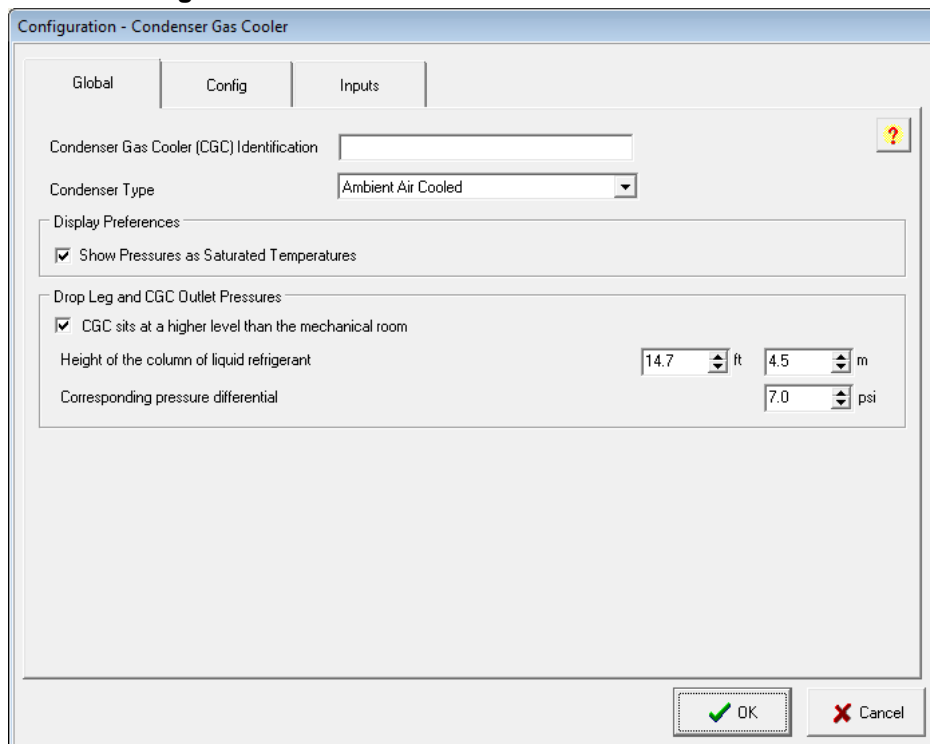
Figure 83 CGC PRESSURE LIMITS SETTINGS SCREENSHOT



8.2.5.1.3 GLOBAL SETTINGS

Select the condenser type and measure either Drop Leg Pressure or CGC Outlet Pressure using the differential pressure created by the weight of the column of liquid refrigerant. The static differential pressure is considered +ve, if the CGC is at a higher level than the receiver.

Figure 84 CGC GLOBAL SETTINGS SCREENSHOT



8.2.5.1.4 SECTION A

The following screen shots illustrate Section A settings regarding the AO and VFD.

Figure 85 CGC SECTION A – OUTPUTS CONFIGURATION SCREENSHOT

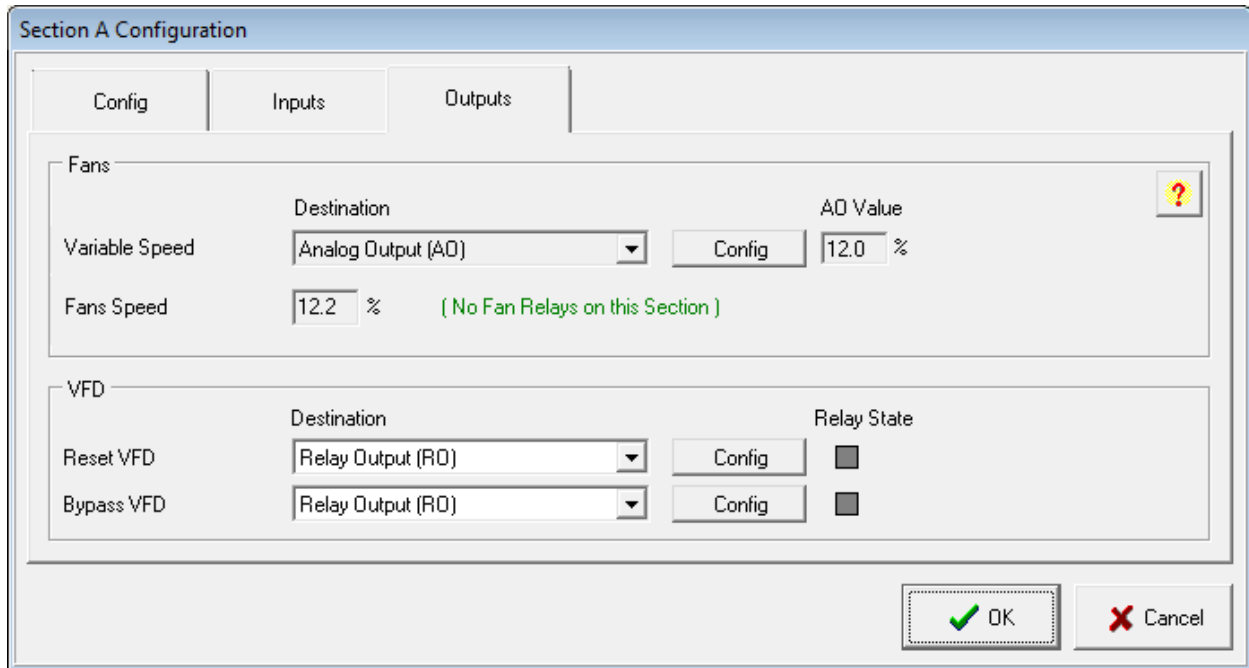
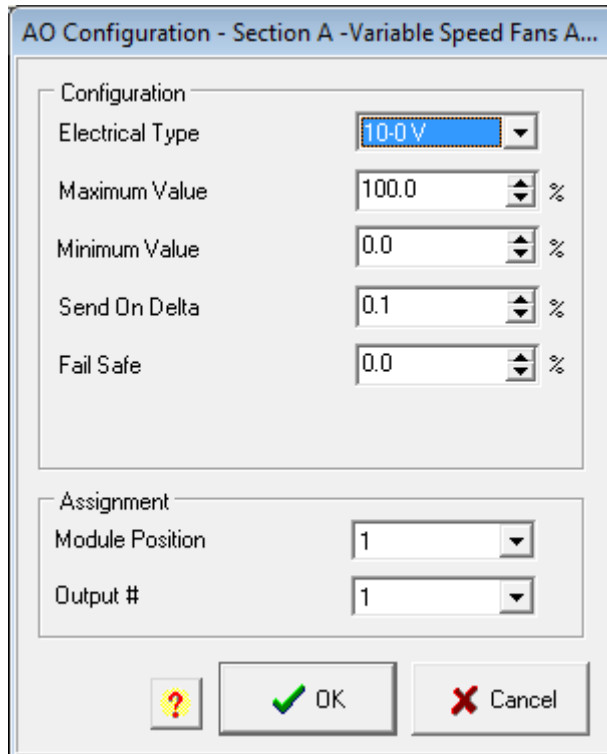


Figure 86 CGC SECTION A – AO CONFIGURATION SCREENSHOT



Notes: AO is specified to be 10 – 0V, so that the fans run at maximum speed when the node is powered off.

Reset and bypass VFD settings, they shall be configured as remote/network variables as we do not need them for the VFDs utilized in our system. Following screenshots illustrate the appropriate settings.

Figure 87 CGC SECTION A – RESET VFD CONFIGURATION SCREENSHOT

Reset VFD

Configuration

Local/Remote

Remote

Assignment

Network Variable Bit #

InvoSpareRelays Bit 15

Override

Value No Override

OK Cancel

Figure 88 CGC SECTION A – BYPASS VFD CONFIGURATION SCREENSHOT

Bypass VFD

Configuration

Local/Remote

Remote

Assignment

Network Variable Bit #

InvoSpareRelays Bit 14

OK Cancel

Following screenshots illustrates the VFD Fault input selection and settings.

Figure 89 CGC SECTION A – VFD FAULT SELECTION SCREENSHOT

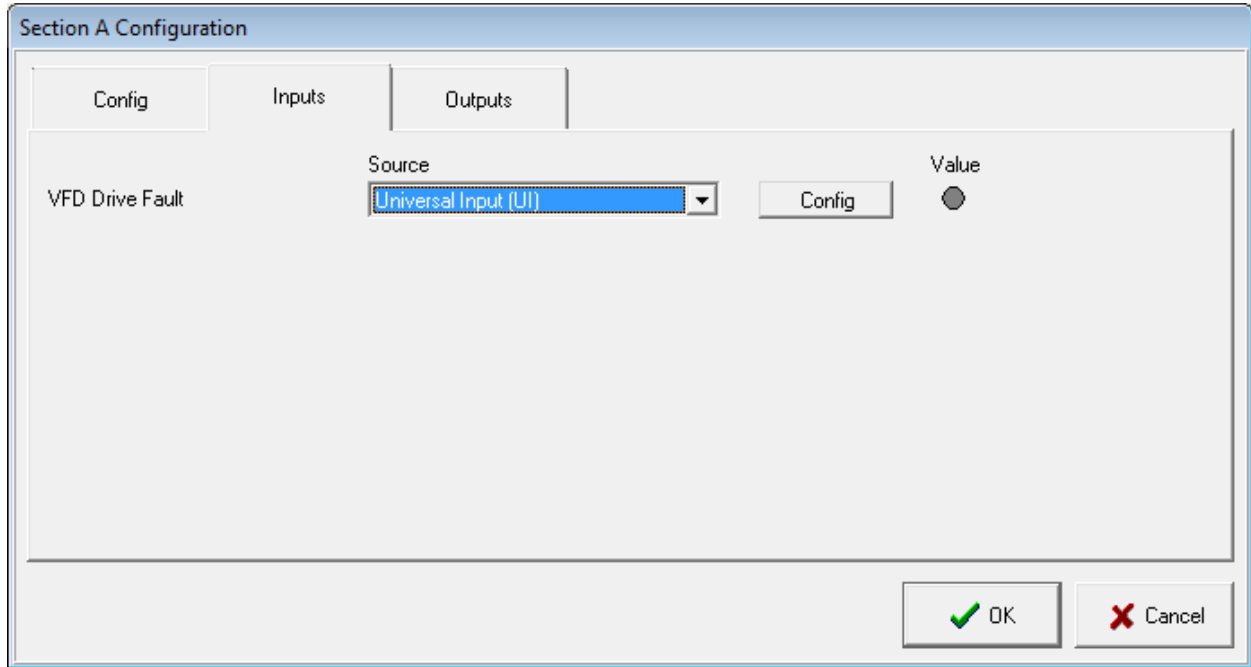
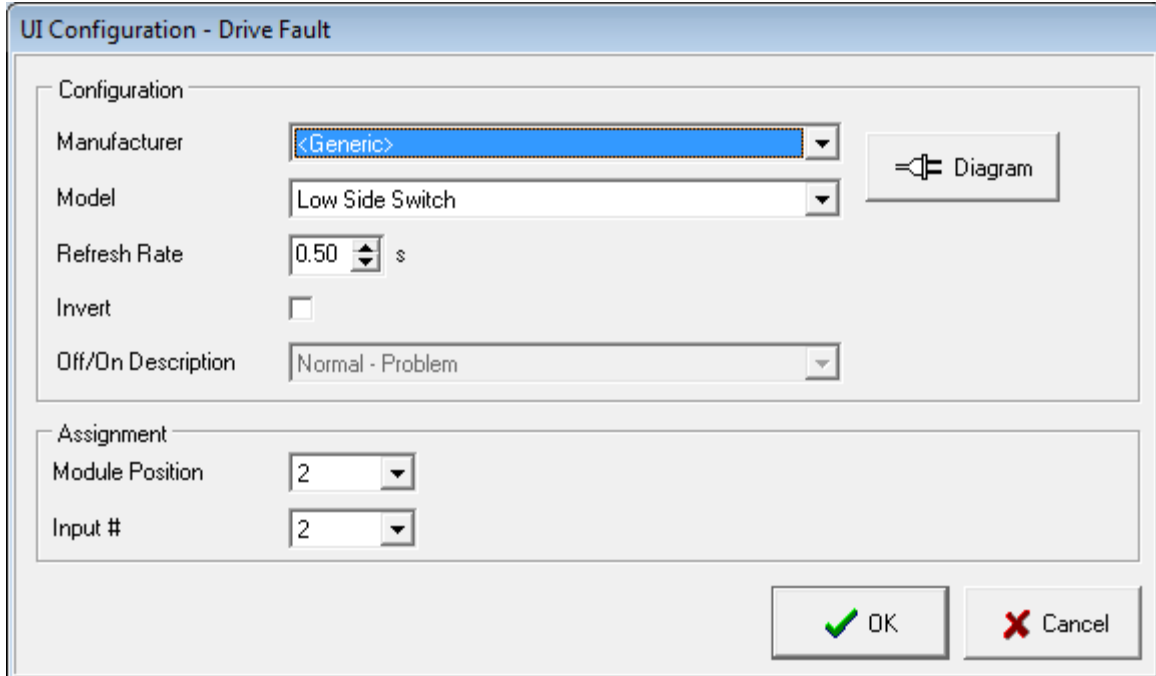


Figure 90 CGC SECTION A – VFD FAULT CONFIGURATION SCREENSHOT



8.2.5.1.5 SECTION B

Following screen shots illustrate Section B settings regarding the Split, AO and VFD.

Figure 91 CGC SECTION B – OUTPUTS CONFIGURATION SCREENSHOT

The screenshot shows the 'Section B Configuration' dialog box with the 'Outputs' tab selected. It is divided into three sections: 'Sections Split', 'Fans', and 'VFD'. Each section contains configuration options for different outputs, including destination selection, relay state, and configuration buttons. The 'Sections Split' section includes 'Main Valve', 'Fan Power', and 'Venting Valve'. The 'Fans' section includes 'Variable Speed' and 'Fans Speed'. The 'VFD' section includes 'Reset VFD' and 'Bypass VFD'. At the bottom right, there are 'OK' and 'Cancel' buttons.

Section	Output Name	Destination	Relay State	AO Value
Sections Split	Main Valve	Relay Output (RO)	<input checked="" type="radio"/>	
	Fan Power	<None>		
	Venting Valve	<None>		
Fans	Variable Speed	Analog Output (AO)		12.0 %
	Fans Speed	12.1 %	[No Fan Relays on this Section]	
VFD	Reset VFD	Relay Output (RO)	<input type="checkbox"/>	
	Bypass VFD	Relay Output (RO)	<input type="checkbox"/>	

Figure 92 CGC SECTION B – SPLIT VALVE RELAY CONFIGURATION SCREENSHOT

The screenshot shows the 'RO Configuration - Split Valve Relay' dialog box. It has two main sections: 'Configuration' and 'Assignment'. The 'Configuration' section includes a 'Local/Remote' dropdown menu set to 'Local', and two radio buttons for 'Normally Closed' (selected) and 'Normally Open'. The 'Assignment' section includes 'Module Position' and 'Output #' dropdown menus, both set to '2' and '1' respectively. At the bottom, there are 'OK' and 'Cancel' buttons.

Section	Setting
Configuration	Local/Remote: Local
	Normally Closed (Selected)
Assignment	Module Position: 2
	Output #: 1

Figure 93 CGC SECTION B – AO CONFIGURATION SCREENSHOT

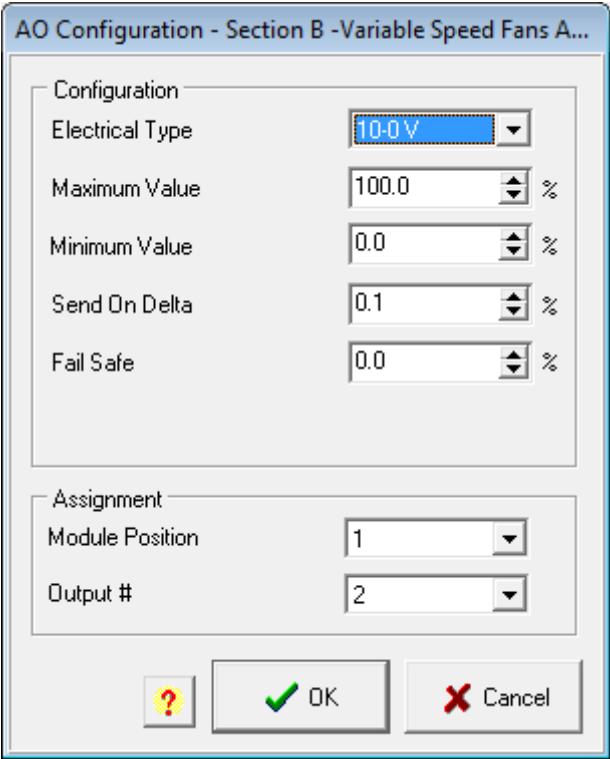


Figure 94 CGC SECTION B – RESET VFD CONFIGURATION SCREENSHOT

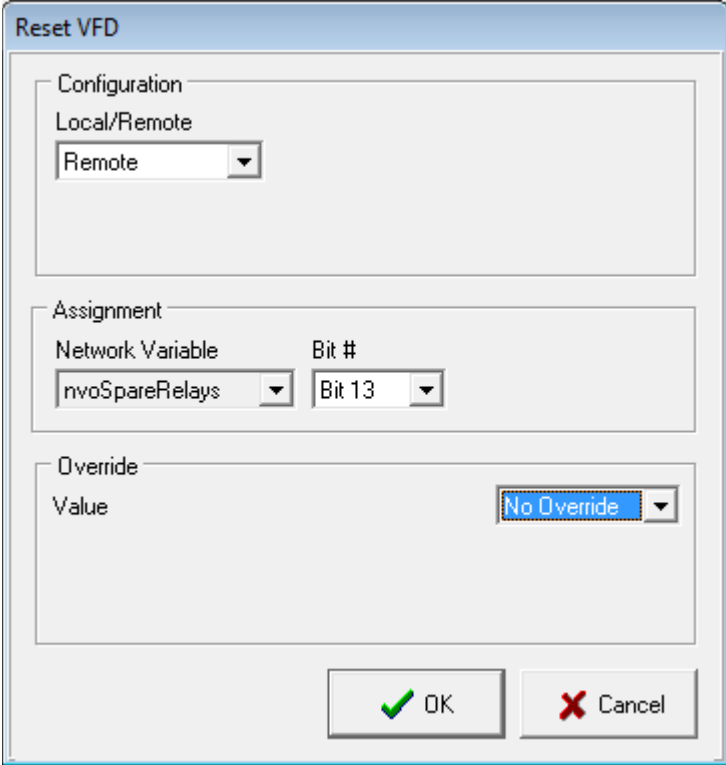


Figure 95 CGD SECTION B – BYPASS VFD CONFIGURATION SCREENSHOT

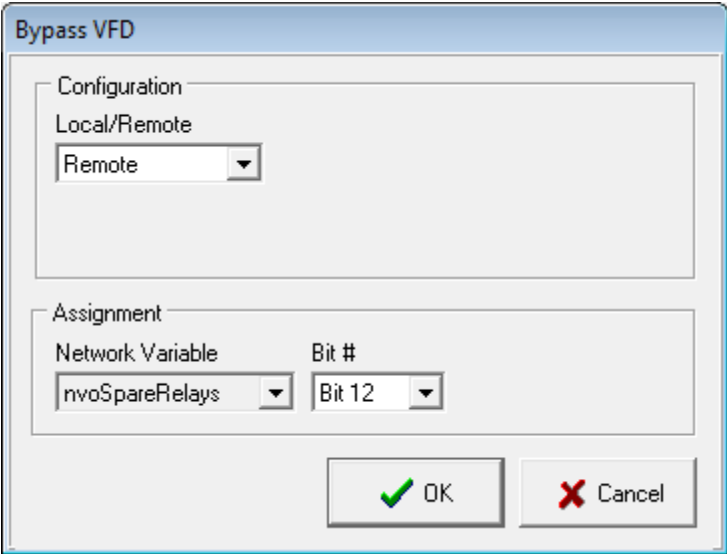


Figure 96 CGC SECTION B – VFD FAULT SELECTION SCREENSHOT

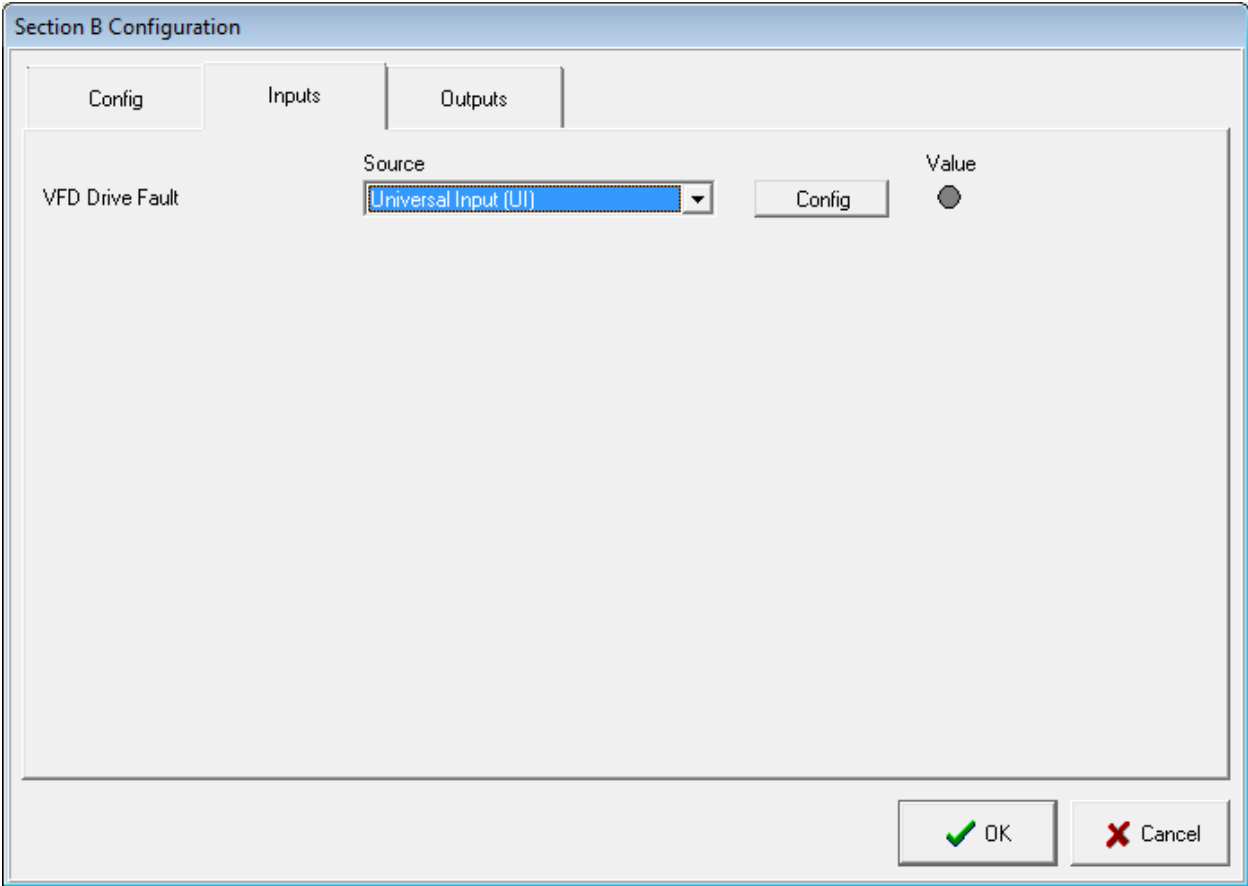
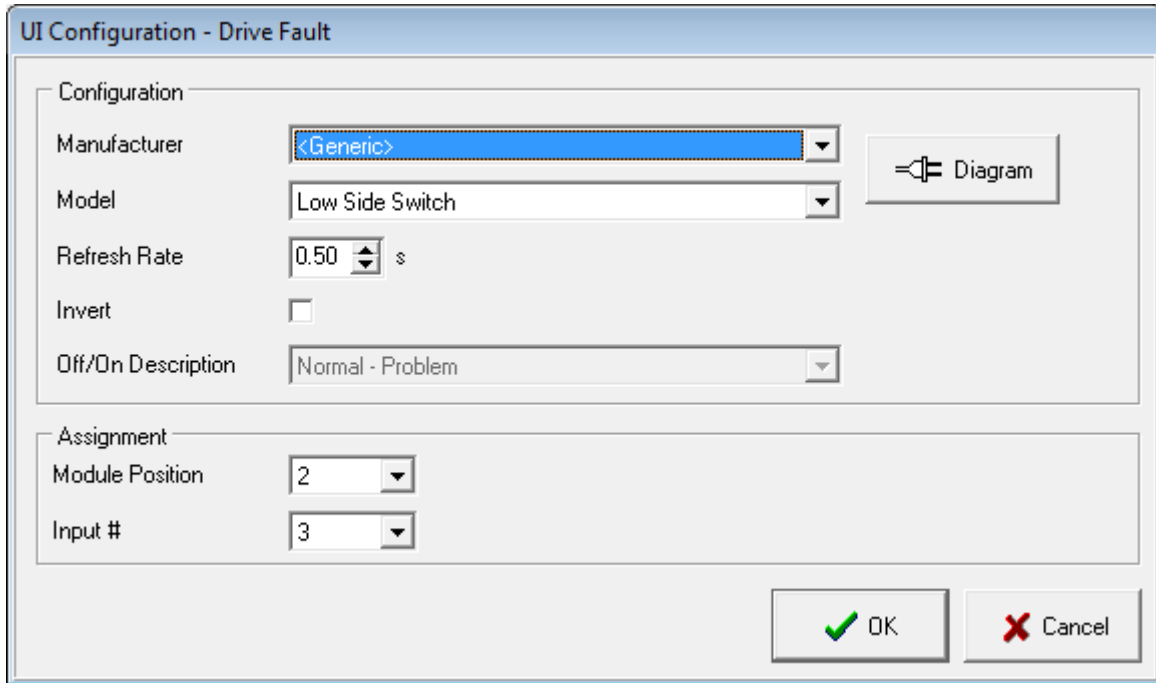


Figure 97 CGC SECTION B – VFD FAULT CONFIGURATION SCREENSHOT



8.2.5.2 TROUBLESHOOTING

Table 49 MICROTHERMO CONTROLLER APPLICATION TROUBLESHOOTING

Alarm	Description	Corrective Action
CGC Outlet Pressure Failure	Discharge pressure transducer failure is shorted, open or detecting the pressure out of range.	<ul style="list-style-type: none"> ▪ Check for any cable issues or connector issues. ▪ Check that the pressure transducer is landing on the appropriate connector on the board. ▪ Check that the pressure transducer cable is fully inserted into the pressure transducer. ▪ Confirm that the proper transducer is being used in the system.
Outside Air Temperature Sensor Failure	OAT sensor is shorted, open or detecting the temperature out of range.	<ul style="list-style-type: none"> ▪ Check for any cable issues or connector issues. ▪ Check that the temperature sensor is landing on the appropriate connector on the board. ▪ Check that the temperature sensor probe.
CGC Outlet Temperature Sensor Failure	Drop leg temperature sensor is shorted, open or detecting the temperature out of the range.	
Section A Drive Fault Section B Drive Fault	VFD reporting fault condition	Please refer to section 8.3

8.3 KB DRIVE TROUBLESHOOTING - LED STATUS, FAULTS AND RECOVERY

LED	Drive Status	Color and Flash sequence	Flash Rate	Color and sequence after recovered fault	Description	Fault State		Recovery	
						J3 (A/M) on	J3 (A/M) off	J3 (A/M) on	J3 (A/M) off
Status (ST)	Normal Operation	Green	1 Sec. On/off	-	Run Mode	-	-	-	-
	Overload 120% Full load	Red	On Continuously	Green	Motor Current greater than 120%	Motor speed reduced to maintain the CL	-	-	-
	Overload trip	Red	0.25 Sec On/Off	-	Drive/motor in Overload for greater than 6 seconds	Drive shutdown (PWMs off)	Set speed to zero or toggle F-S or R-S connection		
	Short Circuit	Red	1 Sec. On/Off	-	Output Phase to Phase Short		Toggle F-S or R-S connection	Toggle J3 (A/M)	
	Undervoltage	Red Yellow	0.25 Sec. On/Off	Red/Yellow/Green	Line voltage less than 151Vac		Automatic recovery when the line voltage is greater than 174Vac	Toggle J3 (A/M) State when the line voltage is greater than 174Vac	
	Overvoltage	Red/Yellow	1 Sec. On/Off	Red/Yellow/Green	Line voltage greater than 283Vac		Automatic recovery when the line voltage is less than 265Vac	Toggle J3 (A/M) State when the line voltage is less than 265Vac	
	Stop	Yellow	On Continuously	-	Stop Mode		-	-	-
	Phase Loss Detection	Yellow	0.04 Sec. On/0.06 Sec. Off	-	Input Phase missing. (3 Phase input drives only)	Drive shutdown (PWMs off) after 60 seconds	Check Input connections, Cycle AC line power	Check Input connections, Toggle J3 (A/M) State	
	Communications Error	Green/Red	1 Sec. On/Off	-	Modbus communications error	Drive shutdown (PWMs off)	Automatic recovery when the error is fixed. Check connections	Automatic recovery when the error is fixed. Check connections	
	Overtemperature	Red	1 Sec On, 1 Sec. Off, 0.25 Sec. On, 0.25 Sec. Off	Red/Green	IPM Temperature greater than 108C		Automatic recovery when the IPM temperature is less than 90C	Toggle J3 (A/M) State when the IPM temperature is less than 90C	

	EEPROM error	Red	0.25 Sec. On, 0.25 Sec. Off, 0.25 Sec On. 2 Sec. Off	-	EEPROM data corrupt		Cycle AC line power	Toggle J3 (A/M) State
PWR (Power)	Bus and Logic Power supply on	Green	On Continuously	-	Power supply is ok	-	-	-

9 INSPECTION

If Microchannel unit is equipped with an electrical power disconnect switch make sure the switch is in the "OFF" position, preferably locked in this position, before any electrical work is performed on the unit. Without a disconnect switch on the unit, make sure all power to the unit is off from the source.

Electrical connections should be inspected periodically and tightened if required. Loose electric connections can cause severe electrical damage as well as nuisance trip out and burnouts.

During the unit startup phase check the fans for the correct rotation. While the fans are rotating the airflow should pass through the coil surface first, flow through the fan and away from the unit. If the fans are pushing the air into the coil surface the fans are rotating in the wrong direction and the motor wiring needs to be corrected.

10 CLEANING

For maximum efficiency, air-cooled condensers should be cleaned of lint and dust every 4 to 6 months so that airflow is not restricted. More frequent cleaning may be necessary under severe conditions.

Warning: No chemical cleaners should be used at any time on the coil as severe damage may occur.

General Safety

- Improper service and maintenance may cause personal and/or property damage.
- Contact qualified installer, servicer or distributor for information or assistance
- Always wear gloves, protective clothing and safety glasses.
- Employ dust mask as required.
- Have quenching cloth and fire extinguisher available
- Follow all Local and National building and electrical codes

Electrical

- Make sure refrigeration system is properly secured following the OEM manufacturer's recommendation before shutting the condenser down for cleaning.
- Before servicing or maintaining unit, turn off power supply at disconnect/breaker and install Lock-Out tag
- Test for voltage with multi-meter prior to performing service

Primary Cleaning – Remove Gross Debris – Dry Coil

- 1) Remove any large debris manually making sure all proper safety equipment is used.
- 2) Utilize a 10" Corn broom (reference ASTM F2367-04a (2010) to remove dust and dirt from the outside of the coil. Gently sweep in vertical direction from the top to the bottom of the coil. This will remove the majority of the dust and entrained debris.
- 3) Turn the condenser fans back on.
- 4) Utilize a 10" Corn broom to remove dust and dirt from the outside of the coil. Gently sweep in vertical direction from the top to the bottom of the coil. Any remaining dirt will be sucked through clearing the coil.
- 5) In the majority of circumstances this will be sufficient to properly clean the coil.
- 6) If additional cleaning is required go to Alternate Cleaning -1.

Alternate Cleaning – 1 Low Pressure Coil Rinse

Having completed Primary Cleaning Procedure if it is deemed that additional cleaning is required, follow the recommended steps:

- 1) Remove the access panel from each end of the condenser V bank.

- 2) Note that the coil should only be rinsed with potable water. No chemical cleaners should be used as this may damage the coil.
- 3) Use a garden hose with an adjustable spray nozzle and water pressure of 50-100 psi, access the coil through the end access ports. Rinse the V-bank on each side from top to bottom taking care not to directly spray the condenser motor or electrical connections and wiring.
- 4) Reinstall the access panel's torquing the fasteners to 20-25 in-lbs.
- 5) Turn the condenser fan circuit back on.

For more detailed instructions visit the Krack website to view our Microchannel Cleaning Video

<https://www.hussmann.com/cleaningvideos/microchannel>

11 REPLACEMENT PARTS LISTS

Figure 98 TYPICAL REPLACEMENT PART NUMBERS

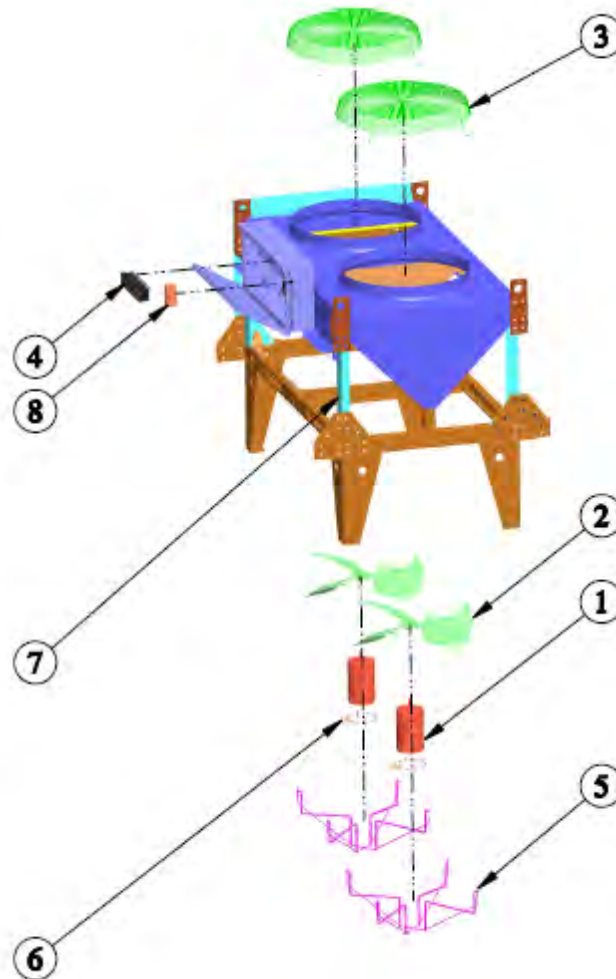


Table 50 TYPICAL REPLACEMENT PART NUMBERS

Item	General Description	Options Description	Krack BOM Part Number
1	MOTOR	Refer Table 51 in next page for Motor combination	
2	FAN	Refer Table 51 in next page for Motor combination	
3	FAN GUARD 30"	Refer Table 51 in next page for Motor combination	
4	MOTOR CONTACTOR	24V 110V 230V	E209971004 E209971002 E209971003
5	MOTOR MTG BRACKET FAN UNIT (2 PER MOTOR)	Refer Table 51 in next page for Motor combination	
6	MOTOR MTG RING FAN UNIT (1 PER MOTOR)	Refer Table 51 in next page for Motor combination	
7	SUPPORT LEG	STD 22" RT SUPPORT LEG STD 22" LT SUPPORT LEG STD 30" RT LEG MOUNTED RECEIVER STD 30" LT MOUNTED RECEIVER 42" LEG WITH MOUNTING FASTNERS 22" LEG WITH MOUNTING FASTNERS	E660033 E660034 E660150 E660151 E280915 E280914
8	BACKUP CONTROLS	P352AB-3C PRESSURE CONTROLLER S352AA-2C ADDER MODULE (PRESSURE) P399BAC-1C PRESSURE TRANSDUCER A350AB-1 TEMPERATURE CONTROLLER Y350 R-1 POWER MODULE A99BC-300 TEMPERATURE SENSOR (9.75 FEET)	E207051 E207052 E207053 E205533 E205534 E205564
9	VARIABLE SPEED CONTROLLERS FOR "K" MOTOR OPTION (NOT SHOWN) JCI/HUSSMANN EMERSON CPC DANFOSS MICRO-THERMO	PEAK 1820 HS-OEM1820-0 TRANSDUCER JOHNSON P499ACP-105 (4-20 mA) P499RCP-105C PRESSURE TRANSDUCER (.5-4.5vdc) WHA-P399-200C WIRE HARNESS A99BC-300 TEMP SENSOR (set189a) 9.75FT LEAD CPC MULTIFLEX 810-3063 88AO CPC TRANSDUCER 0-500PSI #800-2500 (0.5-4.5 vdc) SNSR TEMP LOW PIPE HLC5011125 DANFOSS MCX06D 24V AKS 32 PRESSURE TRANSDUCER 0-500 PSIG METER WIRE 060G3991 084N002900 AKS-11 TEMP PROBE MT-784A 8UI-4RO CONTROLLER MT-722F 23-0073 AMBIENT TEMP SENSOSR 952-0002 500PSI TRANSDUCER	3075128 E211081001 E207053 E207054 E205564 E210857001 E152353 0706186 3087943 E208130 E208131 3095039 3094789 E207161 E208140
10	CONTROL PANEL VENTILATION ACCESSORIES FOR "K" MOTOR OPTION (NOT SHOWN)	VENT FAN-SQUARE AXIAL 6-15/16" 335 CFM CONTROL-THERMOSTAT GRAINGER 1ZHC5 INTAKE FILTER 2H05583/A-FLTR ASSM SC162-P15/60	3089686 3082140 2H05583001

		FAN STEEL GUARD 6-15/16	3074993
11	CONDENSER SLAB (NOT SHOWN)	CONDENSER-COIL SLAB MX COIL ASSY-Microchannel Electrofin Coated Coil	3134666 3051240
12	VFD "K" MOTOR OPTION (NOT SHOWN)	DRIVE-KB-208V-LEV-MX DRIVE-KB-460/380V-LEV-MX DRIVE-KB-208V-MX LEAD FAN-SV DRIVE-KB-460/380V-MX LEAD FAN-SV	3148881 3148880 3148734 3148733
13	CONTROL WIRE "K" MOTOR (NOT SHOWN)	CABLE BELDEN 22GA 2C 8761	0427376

TABLE 51 – MOTOR, FAN BLADE, MOTOR RING, FAN GUARD AND BRACKET COMBINATION FOR DIFFERENT MOTORS

MOTOR TYPE	VOLTAGE	FAN MOTOR	FAN BLADE	MOTOR RING	FAN GUARD	MOTOR BRACKET (Two Per Motor)
MOTOR TYPE A - 850RPM, 1HP,	208/3/60	11503IN	E208057	800340	E209813001	E280793
	460/3/60					
	380/3/60					
	380/3/50					
	575/3/60	E205307IN	E208057	800340	E209813001	E280793
MOTOR TYPE C - 850RPM, 1.5HP	208/3/60	E151976IN	E208058	800340	E209813001	E280793
	460/3/60					
	380/3/60					
	575/3/60	E151976A	E208058	800340	E209813001	E280793
MOTOR TYPE E - 575RPM, 0.5HP	208/3/60	E206880IN	E208056	800340	E209813001	E208055
	460/3/60					
	380/3/60					
	575/3/60	E318680	E208056	800340	E209813001	E208055
MOTOR TYPE F - 1140, 1.5HP	208/3/60	E205492IN	E208056	800340	E209813001	E208055
	460/3/60					
	380/3/60					
	575/3/60	E206689IN	E208056	800340	E209813001	E208055
MOTOR TYPE K - 1140, 1.5HP	208/3/60	3055269	E208056	800340	E209813001	E208055
	460/3/60	3080452	E208056	800340	E209813001	E208055



Use your QR reader to
reference current document
version on www.krack.com.



Krack, a Hussmann Corporation brand

For all customers inquiries,
visit www.krack.com or call 800.922.1919.

www.krack.com
www.hussmann.com