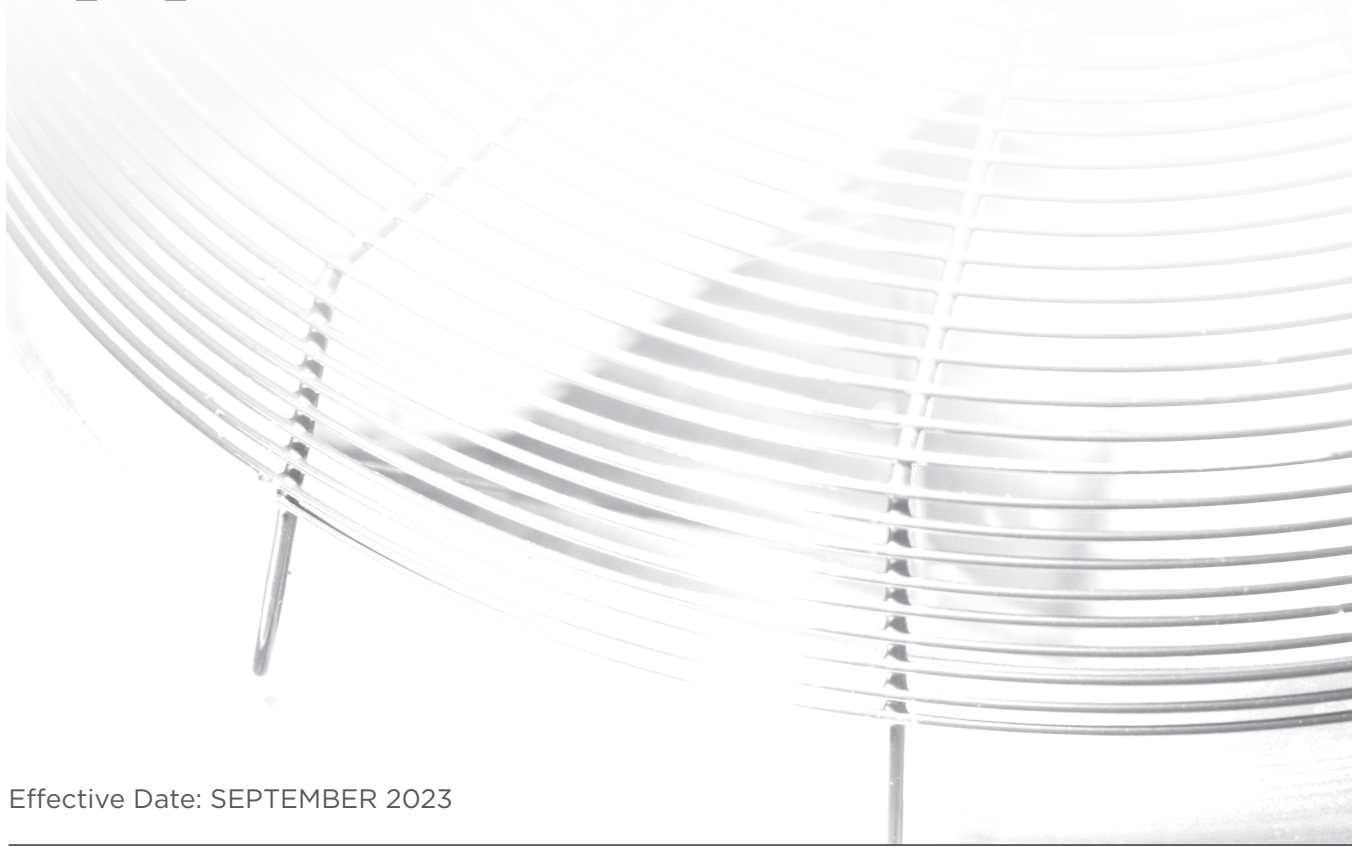




---

# Commercial Refrigeration Price List

KPL\_029\_042624



Effective Date: SEPTEMBER 2023

---

**Prices are subject to change. As of May 2, 2022, a revised surcharge is now in effect for all new and current quotes as well as orders placed for Krack products. Please contact your Krack / Hussmann sales representative for surcharge details.**

---

Krack Commercial Refrigeration Price Lists are updated quarterly; January, April, July, and October; and posted on our website at [www.krack.com](http://www.krack.com).

---

Products that provide lasting solutions.

## **CHANGES SINCE THE LAST PRICE LIST:**

- LEVITOR II, MICROCHANNEL, and FLUID COOLER CP NOMEMCLATURES: *Updated each Control Panel Nomemclature and added additional Notes.*
- AIR-COOLED CONDENSER CONTROL PANEL TABLES: *Updated each Levitor II, Microchannel, and Fluid Cooler fan configuration tables.*
- HE H-SERIES CAPACITY MODULATION PRICING: *Added "Updated Extended Warranty" column to the HE H-Series Capacity Modulation Pricing table and updated Pricing directions following the Pricing table.*
- HE H-SERIES MODELS: *Updated tables, disclaimers, and pricing to the HE H-Series models.*

## **Krack, a Hussmann Corporation brand**

**12999 St. Charles Rock Road**

**Bridgeton, Missouri 63044**

**Phone: 630.629.7500**

**Fax: 630.250.3537**

**Website: [www.krack.com](http://www.krack.com)**

*Krack Price Lists are updated periodically with updates posted at [www.krack.com](http://www.krack.com).  
Please contact Ron Grabowski ([ronald.grabowski@hussmann.com](mailto:ronald.grabowski@hussmann.com)) with questions or comments.*



# LH PRODUCT DESCRIPTION - LOW HEIGHT CENTER MOUNT EVAPORATORS

Version: **September 2023**

## LH MODEL KEY

LH		D	2	6	E	-	129	T	D	A	A						
<b>Unit Type</b>	LH - Low Height										<b>Heater Voltage</b>						
<b>DOE Application</b>	D - DOE and NRCan A - Non-Regulated										<b>Motor Voltage</b>						
<b>Number of Fans</b>	4, 6 FPI										<b>Motor Type</b>						
<b>Fin Spacing</b>	4, 6 FPI										D - Dual Speed EC V - Variable Speed EC B - PSC Motors *						
<b>Type of Defrost</b>	A - Air Defrost E - Electric Defrost with Electric Pan Heat										<b>Refrigerant</b>						
											<table border="1"> <tr> <td>N - Stock Unit **</td> <td>G - Stock Unit ***</td> </tr> <tr> <td>S - R-404A</td> <td>Q - R-407A T - R-448A</td> </tr> <tr> <td>P - R-507A</td> <td>F - R-407F R - R-449A</td> </tr> </table>	N - Stock Unit **	G - Stock Unit ***	S - R-404A	Q - R-407A T - R-448A	P - R-507A	F - R-407F R - R-449A
N - Stock Unit **	G - Stock Unit ***																
S - R-404A	Q - R-407A T - R-448A																
P - R-507A	F - R-407F R - R-449A																
											B - Glycol / Brine C - CO <sub>2</sub>						
											<b>BTU/H in Hundreds (00)</b>						

\* PSC motors are not allowed in USA or Canada for direct expansion applications.  
(PSC motors are allowed for glycol / brine applications.)

\*\* 'N' Stock Units are for non-glide or glide refrigerants (consult I/O manual for complete refrigerant listing).

\*\*\* 'G' Stock Units are for glide refrigerants only (consult I/O manual for complete refrigerant listing).

DOE / NRCan applications require dual speed or variable speed fans.



### DOE / NRCan -

The LH Series is constructed for ease of maintenance with testing and options to meet efficiency required by DOE and NRCan regulations.



# LH PRODUCT DESCRIPTION - LOW HEIGHT CENTER MOUNT EVAPORATORS

Version: September 2023

## LH MODELS

### AIR DEFROST - MEDIUM TEMPERATURE - LOW HEIGHT

MODEL	LIST PRICE	CAPACITY (BTU/H) @ 10° F TD		AIR FLOW (CFM)	DIMENSIONS (IN)			SHIP WGT (LBS)
		+25° F Evap			L	W	H	
LH*16A-047[ ]D	\$1,830	4,700		650	32.88	26.06	9.25	42
LH*26A-094[ ]D	\$2,860	9,400		1,300	54.88	26.06	9.25	70
LH*36A-140[ ]D	\$3,950	14,000		1,950	76.88	26.06	9.25	123
LH*46A-187[ ]D	\$4,960	18,700		2,600	98.88	26.06	9.25	164
LH*14A-036[ ]D	\$1,750	3,600		680	32.88	26.06	9.25	38
LH*24A-073[ ]D	\$2,640	7,300		1,370	54.88	26.06	9.25	64
LH*34A-109[ ]D	\$3,390	10,900		2,050	76.88	26.06	9.25	105
LH*44A-145[ ]D	\$4,630	14,500		2,730	98.88	26.06	9.25	146

\* Review technical bulletin for use of 'D' for DOE / NRCan compliant model or 'A' for non-regulated.

Dual Speed EC motors are standard; include price adder for Variable Speed EC 'V' motors.

[ ] Refrigerant letter. Include price adder for circuiting with 'B' - glycol / brine or 'C' - CO<sub>2</sub>.

### ELECTRIC DEFROST - LOW / MEDIUM TEMPERATURE - LOW HEIGHT

MODEL	LIST PRICE	CAPACITY (BTU/H) @ 10° F TD		AIR FLOW (CFM)	DIMENSIONS (IN)			SHIP WGT (LBS)
		-20° F Evap	+20° F Evap		L	W	H	
LH*16E-043[ ]D	\$2,370	4,300	4,700	650	32.88	26.06	9.25	44
LH*26E-086[ ]D	\$3,510	8,600	9,400	1,300	54.88	26.06	9.25	73
LH*36E-129[ ]D	\$4,460	12,900	14,000	1,950	76.88	26.06	9.25	127
LH*46E-171[ ]D	\$5,540	17,100	18,700	2,600	98.88	26.06	9.25	169
LH*14E-033[ ]D	\$2,220	3,300	3,600	680	32.88	26.06	9.25	40
LH*24E-067[ ]D	\$3,280	6,700	7,300	1,370	54.88	26.06	9.25	67
LH*34E-100[ ]D	\$4,350	10,000	10,900	2,050	76.88	26.06	9.25	109
LH*44E-132[ ]D	\$4,990	13,200	14,500	2,730	98.88	26.06	9.25	150

\* Review technical bulletin for use of 'D' for DOE/NRCan compliant model or 'A' for non-regulated.

Dual Speed EC motors are standard; include price adder for Variable Speed EC 'V' motors.

[ ] Refrigerant letter. Include price adder for circuiting with 'B' - glycol / brine or 'C' - CO<sub>2</sub>.

### LH MODEL OPTIONS

NUMBER OF FANS	VARIABLE SPEED EC MOTOR ADDER*	PSC MOTOR DEDUCT*	PAINTED CABINET WHITE / BLACK	SS HOUSING AND SS NON-INSULATED DRAIN PAN	SS NON-INSULATED DRAIN PAN (ONLY)	ELECTROFIN (AIR OR GAS DEFROST ONLY)	COPPER FIN	CIRCUITING CO <sub>2</sub>
1	\$360	(\$10)	\$540	\$1,180	\$370	\$1,530	\$390	\$290
2	\$380	(\$20)	\$540	\$1,650	\$450	\$1,530	\$780	\$290
3	\$400	(\$30)	\$650	\$2,190	\$590	\$1,530	\$1,170	\$290
4	\$420	(\$40)	\$720	\$2,660	\$650	\$1,530	\$1,560	\$290

<sup>1</sup> Variable Speed EC Motor Adder includes built-in signal amplifier list price.

Insulated or stainless steel drain pan are NOT available on LH due to drain fitting and forming requirements.

- DOE / NRCan models are shown and can be applied for non-regulated applications without controls.
- Confirm AWEF for refrigerant being applied and select Variable Speed motor if required.
- Controls for Dual Speed or Variable Speed are not included in unit pricing shown.
- Select from controls options on Unit Cooler Accessories.
- Capacities shown reflect midpoint evaporating temperature.

\* PSC MOTORS ARE NOT ALLOWED IN THE US AND CANADA FOR DIRECT EXPANSION APPLICATIONS.  
DO NOT CHOOSE THIS DEDUCT FOR UNITS SHIPPING TO THESE LOCATIONS.






# GH / GL PRODUCT DESCRIPTION - LOW VELOCITY CENTER MOUNT MODELS

Version: **September 2023**

## GH / GL MODEL KEY

GH / GL MODEL KEY												
<b>Unit Type</b>	GL	D	3	6	D	-	135	T	D	A	K	<b>Heater Type</b>
GH & GL: Gentle Air												A - 208-230/1/60 B - 115/1/60 * K - 208-230/3/60
 <b>DOE Application</b>												<b>Motor Voltage</b>
D - DOE and NRCan A - Non-Regulated												A - 208-230/1/60 B - 115/1/60
<b>Number of Fans</b>												<b>Motor Voltage</b>
												D - Dual Speed EC V - Variable Speed EC B - PSC Motors **
<b>Fin Spacing</b>												<b>Refrigerant</b>
4, 6 FPI												N - Stock Unit *** S - R-404A P - R-507A
<b>Type of Defrost</b>												G - Stock Unit **** Q - R-407A T - R-448A F - R-407F R - R-449A
A - Air Defrost D - Electric Defrost w/ No Pan Heat F - 3 Pipe Hot Gas w/ No Pan Heat H - 3 Pipe Hot Gas w/ Electric Pan Heat M - 2 Pipe Kool Gas w/ No Pan Heat P - 2 Pipe Kool Gas w/ Electric Pan Heat												B - Glycol / Brine C - CO <sub>2</sub>
												<b>BTU/H in Hundreds (00)</b>

\* Available on pan heaters for 'H' and 'P' defrost options only.

\*\* PSC motors are not allowed in USA or Canada for direct expansion applications.

(PSC motors are allowed for glycol / brine applications.)

\*\*\* 'N' Stock Units are for non-glide or glide refrigerants (consult I/O manual for complete refrigerant listing).

\*\*\*\* 'G' Stock Units are for glide refrigerants only (consult I/O manual for complete refrigerant listing).



### DOE / NRCan -

The GH / GL Series is constructed for ease of maintenance with testing and options to meet efficiency required by DOE and NRCan regulations.



# GH / GL PRODUCT DESCRIPTION - LOW VELOCITY CENTER MOUNT MODELS

Version: September 2023

## GH / GL MODEL - Air Defrost, Medium Temperature, Low Velocity

### GENTLE AIR - 18" HIGH SILHOUETTE

MODEL	LIST PRICE	CAPACITY (BTU/H) @ 10° F TD +25° F Evap	AIR FLOW (CFM)	DIMENSIONS (IN)			SHIP WGT (LBS)
				L	W	H	
GH*16A-060[ JD	\$2,850	6,000	900	31.75	28.75	18.25	130
GH*26A-130[ JD	\$4,460	13,000	1,800	49.75	28.75	18.25	180
GH*36A-198[ JD	\$6,340	19,800	2,700	67.75	28.75	18.25	240
GH*46A-270[ JD	\$7,690	27,000	3,600	85.75	28.75	18.25	320
GH*56A-340[ JD	\$9,100	34,000	4,500	103.75	28.75	18.25	370
GH*66A-410[ JD	\$10,530	41,000	5,400	121.75	28.75	18.25	420
GH*14A-050[ JD	\$2,680	5,000	940	31.75	28.75	18.25	120
GH*24A-100[ JD	\$4,390	10,000	1,880	49.75	28.75	18.25	170
GH*34A-150[ JD	\$6,230	15,000	2,820	67.75	28.75	18.25	230
GH*44A-200[ JD	\$7,560	20,000	3,760	85.75	28.75	18.25	310
GH*54A-250[ JD	\$9,020	25,000	4,700	103.75	28.75	18.25	360
GH*64A-300[ JD	\$10,430	30,000	5,640	121.75	28.75	18.25	410

### GENTLE AIR - 12" LOW SILHOUETTE

MODEL	LIST PRICE	CAPACITY (BTU/H) @ 10° F TD +25° F Evap	AIR FLOW (CFM)	DIMENSIONS (IN)			SHIP WGT (LBS)
				L	W	H	
GL*16A-045[ JD	\$2,450	4,500	600	31.75	28.75	12.25	100
GL*26A-090[ JD	\$3,840	9,000	1,200	49.75	28.75	12.25	140
GL*36A-135[ JD	\$5,190	13,500	1,800	67.75	28.75	12.25	190
GL*46A-180[ JD	\$6,700	18,000	2,400	85.75	28.75	12.25	250
GL*56A-225[ JD	\$7,760	22,500	3,000	103.75	28.75	12.25	290
GL*66A-268[ JD	\$8,580	26,800	3,600	121.75	28.75	12.25	340
GL*14A-035[ JD	\$2,440	3,500	630	31.75	28.75	12.25	90
GL*24A-070[ JD	\$3,800	7,000	1,260	49.75	28.75	12.25	130
GL*34A-105[ JD	\$5,130	10,500	1,890	67.75	28.75	12.25	180
GL*44A-140[ JD	\$6,640	14,000	2,520	85.75	28.75	12.25	240
GL*54A-175[ JD	\$7,680	17,500	3,150	103.75	28.75	12.25	280
GL*64A-210[ JD	\$8,350	21,000	3,780	121.75	28.75	12.25	330

\* Review technical bulletin for use of 'D' for DOE / NRCan compliant model or 'A' for non-regulated.  
Dual Speed EC motors are standard; include price adder for Variable Speed EC 'V' motors.  
[] Refrigerant letter. Include price adder for circuiting with 'B' - glycol / brine or 'C' - CO<sub>2</sub>.

### GH / GL MODEL OPTIONS

NUMBER OF FANS	VARIABLE SPEED EC MOTOR ADDER*	PSC MOTOR DEDUCT*	COPPER FIN	ELECTROFIN (AIR OR GAS DEFROST ONLY)	CIRCUITING GLYCOL OR CO <sub>2</sub>
1	\$360	(\$10)	\$540	\$2,550	\$290
2	\$380	(\$20)	\$1,070	\$2,550	\$290
3	\$400	(\$30)	\$1,610	\$2,550	\$290
4	\$420	(\$40)	\$2,140	\$2,550	\$290
5	\$440	(\$50)	\$2,680	\$2,550	\$290
6	\$460	(\$60)	\$3,210	\$2,700	\$290

NUMBER OF FANS	INSULATED ALUMINUM DRAIN PAN	SS HOUSING AND ALUMINUM INSULATED PAN	SS HOUSING AND SS NON-INSULATED DRAIN PAN	SS DRAIN PAN **	PAINTED CABINET WHITE / BLACK	AIR FILTERS, WIRE FAN GUARD
1	\$490	\$2,710	\$1,640	\$590	\$540	\$80
2	\$560	\$3,390	\$2,140	\$710	\$540	\$160
3	\$640	\$3,970	\$2,690	\$880	\$650	\$240
4	\$750	\$4,840	\$3,230	\$1,040	\$720	\$320
5	\$950	\$6,350	\$4,110	\$1,490	\$860	\$400
6	\$1,370	\$7,060	\$4,610	\$1,650	\$1,050	\$480

1 Variable Speed EC Motor Adder includes built-in signal amplifier list price.  
\*\* SS Drain Pan is not available insulated due to difficulty forming stainless steel.

- DOE / NRCan models are shown and can be applied for non-regulated applications without controls.
- Confirm AWEF for refrigerant being applied and select Variable Speed motor if required.
- Controls for Dual Speed or Variable Speed are not included in unit pricing shown.
- Select from controls options on Unit Cooler Accessories.
- Capacities shown reflect midpoint evaporating temperature.

**\* PSC MOTORS ARE NOT ALLOWED IN THE US AND CANADA FOR DIRECT EXPANSION APPLICATIONS.  
DO NOT CHOOSE THIS DEDUCT FOR UNITS SHIPPING TO THESE LOCATIONS**



## GH / GL PRODUCT DESCRIPTION - LOW VELOCITY CENTER MOUNT MODELS

Version: **September 2023**

### GH / GL MODEL - Electric Defrost, Medium Temperature, Low Velocity

#### GENTLE AIR - 18" HIGH SILHOUETTE

MODEL	LIST PRICE	CAPACITY (BTU/H) @ 10° F TD +25° F Evap	AIR FLOW (CFM)	DIMENSIONS (IN)			SHIP WGT (LBS)
				L	W	H	
GH*16D-060[ ]D	\$3,120	6,000	900	31.75	28.75	18.25	130
GH*26D-130[ ]D	\$5,110	13,000	1,800	49.75	28.75	18.25	180
GH*36D-198[ ]D	\$7,170	19,800	2,700	67.75	28.75	18.25	240
GH*46D-270[ ]D	\$8,550	27,000	3,600	85.75	28.75	18.25	320
GH*56D-340[ ]D	\$10,130	34,000	4,500	103.75	28.75	18.25	370
GH*66D-410[ ]D	\$11,700	41,000	5,400	121.75	28.75	18.25	420
GH*14D-050[ ]D	\$3,000	5,000	940	31.75	28.75	18.25	120
GH*24D-100[ ]D	\$4,980	10,000	1,880	49.75	28.75	18.25	170
GH*34D-150[ ]D	\$6,970	15,000	2,820	67.75	28.75	18.25	230
GH*44D-200[ ]D	\$8,420	20,000	3,760	85.75	28.75	18.25	310
GH*54D-250[ ]D	\$10,010	25,000	4,700	103.75	28.75	18.25	360
GH*64D-300[ ]D	\$11,570	30,000	5,640	121.75	28.75	18.25	410

#### GENTLE AIR - 12" LOW SILHOUETTE

MODEL	LIST PRICE	CAPACITY (BTU/H) @ 10° F TD +25° F Evap	AIR FLOW (CFM)	DIMENSIONS (IN)			SHIP WGT (LBS)
				L	W	H	
GL*16D-045[ ]D	\$2,710	4,500	600	31.75	28.75	12.25	100
GL*26D-090[ ]D	\$4,270	9,000	1,200	49.75	28.75	12.25	140
GL*36D-135[ ]D	\$5,740	13,500	1,800	67.75	28.75	12.25	190
GL*46D-180[ ]D	\$7,430	18,000	2,400	85.75	28.75	12.25	250
GL*56D-225[ ]D	\$8,610	22,500	3,000	103.75	28.75	12.25	290
GL*66D-268[ ]D	\$9,790	26,800	3,600	121.75	28.75	12.25	340
GL*14D-035[ ]D	\$2,550	3,500	630	31.75	28.75	12.25	90
GL*24D-070[ ]D	\$4,070	7,000	1,260	49.75	28.75	12.25	130
GL*34D-105[ ]D	\$5,490	10,500	1,890	67.75	28.75	12.25	180
GL*44D-140[ ]D	\$7,110	14,000	2,520	85.75	28.75	12.25	240
GL*54D-175[ ]D	\$8,210	17,500	3,150	103.75	28.75	12.25	280
GL*64D-210[ ]D	\$9,360	21,000	3,780	121.75	28.75	12.25	330

\* Review technical bulletin for use of 'D' for DOE / NRCan compliant model or 'A' for non-regulated.

Dual Speed EC motors are standard; include price adder for Variable Speed EC 'V' motors.

[ ] Refrigerant letter. Include price adder for circuiting with 'B' - glycol / brine or 'C' - CO<sub>2</sub>.

NOTE: Not For Use Below +20° F Room Temperature

- Models shown can be applied for non-regulated applications without controls.
- Confirm AWEF for refrigerant being applied and select Variable Speed motor if required.
- Controls for Dual Speed or Variable Speed are not included in unit pricing shown.
- Select from controls options on Unit Cooler Accessories.
- Capacities shown reflect midpoint evaporating temperature.



# GH / GL PRODUCT DESCRIPTION - LOW VELOCITY CENTER MOUNT MODELS

Version: **September 2023**

## GH / GL MODEL - Gas Defrost, Medium Temperature, Low Velocity

### GENTLE AIR - 18" HIGH SILHOUETTE

MODEL	LIST PRICE BY DEFROST TYPE				CAPACITY (BTU/H) @ 10° F TD +25° F Evap	AIR FLOW (CFM)	DIMENSIONS (IN)			SHIP WGT (LBS)
	(P)	(M)	(H)	(F)			L	W	H	
GH*16( )-060[ ]D	\$3,350	\$3,030	\$3,100	\$2,860	6,000	900	31.75	28.75	18.25	130
GH*26( )-130[ ]D	\$5,310	\$4,940	\$5,080	\$4,670	13,000	1,800	49.75	28.75	18.25	180
GH*36( )-198[ ]D	\$7,310	\$6,760	\$7,040	\$6,510	19,800	2,700	67.75	28.75	18.25	240
GH*46( )-270[ ]D	\$8,760	\$8,130	\$8,490	\$7,860	27,000	3,600	85.75	28.75	18.25	320
GH*56( )-340[ ]D	\$10,320	\$9,590	\$10,050	\$9,320	34,000	4,500	103.75	28.75	18.25	370
GH*66( )-410[ ]D	\$11,870	\$11,030	\$11,610	\$10,760	41,000	5,400	121.75	28.75	18.25	420
GH*14( )-050[ ]D	\$3,240	\$3,010	\$2,990	\$2,760	5,000	940	31.75	28.75	18.25	120
GH*24( )-100[ ]D	\$5,200	\$4,840	\$4,940	\$4,580	10,000	1,880	49.75	28.75	18.25	170
GH*34( )-150[ ]D	\$7,160	\$6,670	\$6,900	\$6,390	15,000	2,820	67.75	28.75	18.25	230
GH*44( )-200[ ]D	\$8,630	\$8,000	\$8,370	\$7,740	20,000	3,760	85.75	28.75	18.25	310
GH*54( )-250[ ]D	\$10,050	\$9,470	\$9,930	\$9,200	25,500	4,700	103.75	28.75	18.25	360
GH*64( )-300[ ]D	\$11,760	\$10,930	\$11,490	\$10,670	30,000	5,640	121.75	28.75	18.25	410

### GENTLE AIR - 12" LOW SILHOUETTE

MODEL	LIST PRICE BY DEFROST TYPE				CAPACITY (BTU/H) @ 10° F TD +25° F Evap	AIR FLOW (CFM)	DIMENSIONS (IN)			SHIP WGT (LBS)
	(P)	(M)	(H)	(F)			L	W	H	
GL*16( )-045[ ]D	\$2,900	\$2,700	\$2,650	\$2,450	4,500	600	31.75	28.75	12.25	100
GL*26( )-090[ ]D	\$4,440	\$4,150	\$4,180	\$3,870	9,000	1,200	49.75	28.75	12.25	140
GL*36( )-135[ ]D	\$5,890	\$5,480	\$5,630	\$5,220	13,500	1,800	67.75	28.75	12.25	190
GL*46( )-180[ ]D	\$7,530	\$7,020	\$7,280	\$6,760	18,000	2,300	85.75	28.75	12.25	250
GL*56( )-225[ ]D	\$8,670	\$8,070	\$8,410	\$7,810	22,500	3,000	103.75	28.75	12.25	290
GL*66( )-268[ ]D	\$9,820	\$9,170	\$9,570	\$8,910	26,800	3,600	121.75	28.75	12.25	340
GL*14( )-035[ ]D	\$2,850	\$2,640	\$2,580	\$2,380	3,500	630	31.75	28.75	12.25	90
GL*24( )-070[ ]D	\$4,390	\$4,070	\$4,180	\$3,820	7,000	1,260	49.75	28.75	12.25	130
GL*34( )-105[ ]D	\$5,820	\$5,430	\$5,630	\$5,170	10,500	1,890	67.75	28.75	12.25	180
GL*44( )-140[ ]D	\$7,460	\$6,950	\$7,190	\$6,680	14,000	2,520	85.75	28.75	12.25	240
GL*54( )-175[ ]D	\$8,590	\$8,010	\$8,320	\$7,750	17,500	3,150	103.75	28.75	12.25	280
GL*64( )-210[ ]D	\$9,720	\$9,080	\$9,460	\$8,820	21,000	3,780	121.75	28.75	12.25	330

\* Review technical bulletin for use of 'D' for DOE / NRCan compliant model or 'A' for non-regulated.

Dual Speed EC motors are standard; include price adder for Variable Speed EC 'V' motors.

[ ] Refrigerant letter. Include price adder for circuiting with 'B' - glycol / brine or 'C' - CO<sub>2</sub>.

#### Available Defrost of Types

(H) = HGE 3 Pipe Hot Gas with Electric Pan Heat - No defrost termination or fan delay, +20° F or warmer room temperature.

(F) = HG 3 Pipe Hot Gas with No Pan Heat - No defrost termination or fan delay, +32° F or warmer room temperature.

(P) = KGE 2 Pipe Kool Gas with Electric Pan Heat, +20° F or warmer room temperature.

(M) = KG 2 Pipe Kool Gas with No Pan Heat, +32° F or warmer room temperature.

- Models shown can be applied for non-regulated applications without controls.
- Confirm AWEF for refrigerant being applied and select Variable Speed motor if required.
- Controls for Dual Speed or Variable Speed are not included in unit pricing shown.
- Select from controls options on Unit Cooler Accessories.
- Capacities shown reflect midpoint evaporating temperature.



# KR PRODUCT DESCRIPTION - COMPACT SERIES LOW PROFILE EVAPORATORS

Version: **September 2023**

## KR MODEL KEY

<b>KR</b>	<b>D</b>	<b>2</b>	<b>6</b>	<b>A</b>	<b>-</b>	<b>125</b>	<b>T</b>	<b>D</b>	<b>A</b>	<b>A</b>	
<b>Unit Type</b> KR - Compact Series				<b>DOE Application</b> D - DOE and NRCan A - Non-Regulated				<b>Heater Voltage</b> A - 208-230/1/60 B - 115/1/60 * K - 208-230/3/60			
<b>Number of Fans</b> 4, 6 FPI				<b>Fin Spacing</b> 4, 6 FPI				<b>Motor Voltage</b> A - 208-230/1/60 B - 115/1/60			
<b>Type of Defrost</b> A - Air Defrost E - Electric Defrost with Electric Pan Heat G - 3 Pipe Hot Gas with Gas Pan Heat H - 3 Pipe Hot Gas with Electric Pan Heat K - 2 Pipe Kool Gas with Gas Pan Heat P - 2 Pipe Kool Gas with Electric Pan Heat R - Heat Reclaim				<b>Motor Type</b> D - Dual Speed EC V - Variable Speed EC B - PSC Motors **				<b>Refrigerant</b> N - Stock Unit *** S - R-404A P - R-507A G - Stock Unit **** Q - R-407A F - R-407F T - R-448A R - R-449A B - Glycol / Brine C - CO <sub>2</sub>			
<b>BTU/H in Hundreds (00)</b>											



The KR Low Profile Evaporators are certified under NOM-012-ENER-2019 Standard:  
Energy efficiency of condenser and evaporator units for refrigeration application in Mexico.

\* Available on pan heaters for 'H' and 'P' defrost options only.

\*\* PSC motors are not allowed in USA or Canada for any evaporator solution and few selected models in Mexico (check with your sales representative for the models).

\*\*\* 'N' Stock Units are for non-glide or glide refrigerants (consult I/O manual for complete refrigerant listing).

\*\*\*\* 'G' Stock Units are for glide refrigerants only (consult I/O manual for complete refrigerant listing).



### DOE / NRCan -

The KR Series is constructed for ease of maintenance with testing and options to meet efficiency required by DOE and NRCan regulations.



# KR PRODUCT DESCRIPTION - COMPACT SERIES LOW PROFILE EVAPORATORS

Version: September 2023

## KR MODEL - Air Defrost, Medium Temperature

### AIR DEFROST - MEDIUM TEMPERATURE

MODEL	LIST PRICE	CAPACITY (BTU/H) @ 10° F TD +25° F Evap	AIR FLOW (CFM)	DIMENSIONS (IN)			SHIP WGT (LBS)
				L	W	H	
KR*16A-040[ ]D	\$1,310	4,000	845	29.13	15.32	15.90	55
KR*16A-060[ ]D	\$1,480	6,000	845	29.13	15.32	15.90	60
KR*26A-089[ ]D	\$2,270	8,900	1,690	47.13	15.32	15.90	100
KR*26A-125[ ]D	\$2,640	12,500	1,690	47.13	15.32	15.90	100
KR*36A-134[ ]D	\$3,120	13,400	2,535	65.13	15.32	15.90	120
KR*36A-170[ ]D	\$3,710	17,000	2,535	65.13	15.32	15.90	140
KR*46A-216[ ]D	\$4,640	21,600	3,380	83.13	15.32	15.90	180
KR*56A-242[ ]D	\$5,360	24,200	4,225	101.13	15.32	15.90	220
KR*66A-340[ ]D	\$6,840	34,000	5,070	119.13	15.32	15.90	265
KR*14A-058[ ]D	\$1,350	5,800	855	29.13	15.32	15.90	60
KR*24A-096[ ]D	\$2,420	9,600	1,750	47.13	15.32	15.90	90
KR*24A-117[ ]D	\$2,550	11,700	1,710	47.13	15.32	15.90	100
KR*34A-143[ ]D	\$3,100	14,300	2,625	65.13	15.32	15.90	125
KR*34A-173[ ]D	\$3,620	17,300	2,565	65.13	15.32	15.90	140
KR*44A-191[ ]D	\$4,380	19,100	3,500	83.13	15.32	15.90	165
KR*44A-232[ ]D	\$4,660	23,200	3,420	83.13	15.32	15.90	180
KR*54A-290[ ]D	\$5,720	29,000	4,275	101.13	15.32	15.90	225
KR*64A-348[ ]D	\$6,780	34,800	5,130	119.13	15.32	15.90	265

\* Review technical bulletin for use of 'D' for DOE / NRCan compliant model or 'A' for non-regulated.

Dual Speed EC motors are standard; include price adder for Variable Speed EC 'V' motors.

[ ] Refrigerant letter. Include price adder for circuiting with 'B' - glycol / brine or 'C' - CO<sub>2</sub>.

### KR MODEL OPTIONS

NUMBER OF FANS	VARIABLE SPEED EC MOTOR ADDER <sup>1</sup>	PSC MOTOR DEDUCT *	REVERSE AIR FLOW DIRECTION	ELECTROFIN (AIR OR GAS DEFROST ONLY)	COPPER FIN	PAINTED CABINET WHITE / BLACK	CIRCUITING GLYCOL OR CO <sub>2</sub>
1	\$360	(\$10)	\$100	\$1,550	\$390	\$330	\$290
2	\$380	(\$20)	\$190	\$1,550	\$780	\$330	\$290
3	\$400	(\$30)	\$280	\$1,550	\$1,170	\$460	\$290
4	\$420	(\$40)	\$380	\$1,550	\$1,550	\$460	\$290
5	\$440	(\$50)	\$470	\$1,550	\$1,940	\$460	\$290
6	\$460	(\$60)	\$570	\$1,850	\$2,330	\$540	\$290

NUMBER OF FANS	LONG THROW ADAPTERS	INSULATED ALUMINUM DRAIN PAN	SS LONG THROW ADAPTERS	SS DRAIN PAN (ONLY) **	SS HOUSING AND SS DRAIN PAN **
1	\$90	\$490	\$390	\$350	\$910
2	\$180	\$620	\$780	\$540	\$1,270
3	\$270	\$760	\$1,170	\$610	\$1,430
4	\$360	\$900	\$1,560	\$720	\$1,730
5	\$450	\$1,050	\$1,950	\$780	\$2,080
6	\$540	\$1,200	\$2,340	\$800	\$2,370

<sup>1</sup> Variable Speed EC Motor Adder includes built-in signal amplifier list price.

\*\* Standard non-insulated drain pan in stainless steel. Insulated drain pan is aluminum only.

- DOE / NRCan models are shown and can be applied for non-regulated applications without controls.
- Confirm AWEF for refrigerant being applied and select Variable Speed motor if required.
- Controls for Dual Speed or Variable Speed are not included in unit pricing shown.
- Select from controls options on Unit Cooler Accessories.
- Capacities shown reflect midpoint evaporating temperature.

\* PSC MOTORS ARE NOT ALLOWED IN THE US AND CANADA FOR DIRECT EXPANSION APPLICATIONS. DO NOT CHOOSE THIS DEDUCT FOR UNITS SHIPPING TO THESE LOCATIONS.



# KR PRODUCT DESCRIPTION - COMPACT SERIES LOW PROFILE EVAPORATORS

Version: September 2023

## KR MODEL - Electric Defrost, Low / Medium Temperature

### ELECTRIC DEFROST - LOW / MEDIUM TEMPERATURE

MODEL	LIST PRICE	CAPACITY (BTU/H) @ 10° F TD		AIR FLOW (CFM)	DIMENSIONS (IN)			SHIP WGT (LBS)
		-20° F Evap	+20° F Evap		L	W	H	
KR*14E-037[ ]D	\$1,660	3,700	5,000	875	29.13	15.32	15.90	55
KR*24E-074[ ]D	\$3,080	7,400	9,990	1,750	47.13	15.32	15.90	90
KR*34E-111[ ]D	\$4,280	11,100	14,990	2,625	65.13	15.32	15.90	125
KR*44E-148[ ]D	\$5,670	14,800	19,850	3,500	83.13	15.32	15.90	165
KR*54E-185[ ]D	\$7,140	18,500	24,980	4,375	101.13	15.32	15.90	200
KR*64E-220[ ]D	\$8,160	22,000	29,700	5,250	119.13	15.32	15.90	240
KR*16E-035[ ]D	\$1,880	3,500	4,730	845	29.13	15.32	15.90	55
KR*16E-045[ ]D	\$2,080	4,500	6,080	845	29.13	15.32	15.90	60
KR*26E-090[ ]D	\$3,110	9,000	12,150	1,690	47.13	15.32	15.90	100
KR*36E-135[ ]D	\$4,430	13,500	18,230	2,535	65.13	15.32	15.90	140
KR*46E-180[ ]D	\$5,930	18,000	24,300	3,380	83.13	15.32	15.90	180
KR*56E-192[ ]D	\$6,630	19,200	25,920	4,225	101.13	15.32	15.90	220
KR*66E-270[ ]D	\$8,470	27,000	36,450	5,070	119.13	15.32	15.90	265

\* Review technical bulletin for use of 'D' for DOE / NRCan compliant model or 'A' for non-regulated.

Dual Speed EC motors are standard; include price adder for Variable Speed EC 'V' motors.

[ ] Refrigerant letter. Include price adder for circuiting with 'B' - glycol / brine or 'C' - CO<sub>2</sub>.

- DOE / NRCan models are shown and can be applied for non-regulated applications without controls.
- Confirm AWEF for refrigerant being applied and select Variable Speed motor if required.
- Controls for Dual Speed or Variable Speed are not included in unit pricing shown.
- Select from controls options on Unit Cooler Accessories.
- Capacities shown reflect midpoint evaporating temperature.



# KR PRODUCT DESCRIPTION - COMPACT SERIES LOW PROFILE EVAPORATORS

Version: **September 2023**

## KR MODEL - Gas Defrost, Low / Medium Temperature

### GAS DEFROST - LOW / MEDIUM TEMPERATURE

MODEL	LIST PRICE BY DEFROST TYPE				CAPACITY (BTU/H) @ 10° F TD		AIR FLOW (CFM)	DIMENSIONS (IN)			SHIP WGT (LBS)
	(P)	(K)	(H)	(G)	-20° F Evap	+20° F Evap		L	W	H	
KR*14( )-037[ ]D	\$1,800	\$2,300	\$1,670	\$2,090	3,700	5,000	875	29.13	15.32	15.90	55
KR*24( )-074[ ]D	\$3,210	\$4,120	\$3,000	\$3,760	7,400	9,990	1,750	47.13	15.32	15.90	90
KR*34( )-111[ ]D	\$3,630	\$4,580	\$3,420	\$4,190	11,100	14,990	2,625	65.13	15.32	15.90	125
KR*44( )-148[ ]D	\$4,740	\$5,960	\$4,460	\$5,470	14,800	19,850	3,500	83.13	15.32	15.90	165
KR*54( )-185[ ]D	\$5,860	\$7,370	\$5,520	\$6,770	18,500	24,980	4,375	101.13	15.32	15.90	200
KR*64( )-220[ ]D	\$6,870	\$8,630	\$6,480	\$7,930	22,000	29,700	5,250	119.13	15.32	15.90	240
KR*16( )-035[ ]D	\$1,880	\$2,420	\$1,740	\$2,190	3,500	4,730	845	29.13	15.32	15.90	55
KR*16( )-045[ ]D	\$2,180	\$2,840	\$2,030	\$2,570	4,500	6,080	845	29.13	15.32	15.90	60
KR*26( )-090[ ]D	\$3,350	\$4,310	\$3,150	\$3,930	9,000	12,150	1,690	47.13	15.32	15.90	100
KR*36( )-135[ ]D	\$3,890	\$4,910	\$3,640	\$4,480	13,500	18,230	2,535	65.13	15.32	15.90	140
KR*46( )-180[ ]D	\$5,010	\$6,320	\$4,700	\$5,790	18,000	24,300	3,380	83.13	15.32	15.90	180
KR*56( )-192[ ]D	\$5,780	\$7,090	\$5,480	\$6,550	19,200	25,920	4,225	101.13	15.32	15.90	220
KR*66( )-270[ ]D	\$7,010	\$8,810	\$6,590	\$8,090	27,000	36,450	5,070	119.13	15.32	15.90	265

\* Review technical bulletin for use of 'D' for DOE / NRCan compliant model or 'A' for non-regulated.

Dual Speed EC motors are standard; include price adder for Variable Speed EC 'V' motors.

[ ] Refrigerant letter. Include price adder for circuiting with 'B' - glycol / brine or 'C' - CO<sub>2</sub>.

#### Available Types of Defrost

(H) = HGE 3 Pipe Hot Gas with Electric Pan Heat - No defrost termination or fan delay

(G) = HGG 3 Pipe Hot Gas with Gas Pan Heat - No defrost termination or fan delay

(P) = KGE 2 Pipe Kool Gas with Electric Pan Heat

(K) = KGG 2 Pipe Kool Gas with Gas Pan Heat

- DOE / NRCan models are shown and can be applied for non-regulated applications without controls.
- Confirm AWEF for refrigerant being applied and select Variable Speed motor if required.
- Controls for Dual Speed or Variable Speed are not included in unit pricing shown.
- Select from controls options on Unit Cooler Accessories.
- Capacities shown reflect midpoint evaporating temperature.





# MK / MV PRODUCT DESCRIPTION - MEDIUM PROFILE EVAPORATORS

Version: **September 2023**

## MK / MV MODEL KEY

MK D 2 6 E - 152 T V A A

### Unit Type

MK - Medium Profile  
MV - High Velocity



### DOE Application

D - DOE and NRCan  
A - Non-Regulated

### Number of Fans

### Fin Spacing

4, 6, 8 FPI

### Type of Defrost

A - Air Defrost  
E - Electric Defrost w/Electric Pan Heat  
G - 3 Pipe Hot Gas w/Gas Pan Heat  
H - 3 Pipe Hot Gas w/Electric Pan Heat  
K - 2 Pipe Kool Gas w/Gas Pan Heat  
P - 2 Pipe Kool Gas w/Electric Pan Heat  
R - Heat Reclaim

### Heater Voltage

A - 208-230/1/60  
B - 115/1/60 \*\*\*\*  
K - 208-230/3/60  
M - 460/3/60

### Motor Voltage

A - 208-230/1/60  
B - 115/1/60  
K - 208-230/3/60 \*  
H - 460/1/60 \*\*  
M - 460/3/60 \* / \*\*

### Motor Type\*\*\*

V - Variable Speed EC  
D - Variable Speed EC, Dual Speed Control  
B - PSC Motors \*\*\*\*\*

### Refrigerant

N - Stock Unit *****	G - Stock Unit *****
S - R-404A	Q - R-407A T - R-448A
P - R-507A	F - R-407F R - R-449A

B - Glycol / Brine C - CO<sub>2</sub>

### BTU/H in Hundreds (00)



\* Available on pan heaters for H & P defrost options only.

\*\* 460 V motors are Motor Type PSC only (not allowed in USA or Canada for direct expansion applications).

\*\*\* EC motor required for DOE with Variable Speed or Dual Speed control option are A, B, or K motor voltage only.

\*\*\*\* Available on pan heaters for 'H' and 'P' defrost options only.

\*\*\*\*\* PSC motors are not allowed in USA or Canada for direct expansion applications.

(PSC motors are allowed for glycol / brine applications.)

\*\*\*\*\* 'N' Stock Units are for non-glide or glide refrigerants (consult I/O manual for complete refrigerant listing).

\*\*\*\*\* 'G' Stock Units are for glide refrigerants only (consult I/O manual for complete refrigerant listing).



### DOE / NRCan -

The MK / MV Series is constructed for ease of maintenance with testing and options to meet efficiency required by DOE and NRCan regulations.



# MK / MV PRODUCT DESCRIPTION - MEDIUM PROFILE EVAPORATORS

Version: September 2023

## MK / MV MODEL - Air Defrost, Medium Temperature

### AIR DEFROST - MEDIUM TEMPERATURE

MODEL	LIST PRICE	CAPACITY (BTU/H) @ 10° F TD +25° F Evap	AIR FLOW (CFM)	DIMENSIONS (IN)			SHIP WGT (LBS)
				L	W	H	
MK*18A-133[ JV	\$3,090	13,300	2,710	38.00	19.00	26.75	125
MK*18A-160[ JV	\$3,180	16,000	2,625	38.00	19.00	26.75	130
MK*28A-266[ JV	\$5,410	26,600	5,420	63.00	19.00	26.75	225
MK*28A-320[ JV	\$6,430	32,000	5,250	63.00	19.00	26.75	240
MK*38A-393[ JV	\$9,090	39,300	8,130	92.00	19.00	26.75	330
MK*38A-480[ JV	\$9,890	48,000	7,875	92.00	19.00	26.75	350
MK*48A-640[ JV	\$11,820	64,000	10,500	119.00	19.00	26.75	470
MK*16A-118[ JV	\$2,850	11,800	2,815	38.00	19.00	26.75	125
MK*16A-145[ JV	\$3,120	14,500	2,725	38.00	19.00	26.75	130
MK*26A-236[ JV	\$5,190	23,600	5,630	63.00	19.00	26.75	225
MK*26A-290[ JV	\$6,130	29,000	5,450	63.00	19.00	26.75	240
MK*36A-354[ JV	\$7,790	35,400	8,445	92.00	19.00	26.75	330
MK*36A-435[ JV	\$9,500	43,500	8,175	92.00	19.00	26.75	350
MK*46A-580[ JV	\$11,460	58,000	10,900	119.00	19.00	26.75	470
MK*14A-094[ JV	\$2,310	9,400	3,060	38.00	19.00	26.75	125
MK*14A-121[ JV	\$3,030	12,100	2,960	38.00	19.00	26.75	130
MK*24A-188[ JV	\$4,480	18,800	6,120	63.00	19.00	26.75	225
MK*24A-242[ JV	\$5,270	24,200	5,920	63.00	19.00	26.75	240
MK*34A-363[ JV	\$8,170	36,300	8,880	92.00	19.00	26.75	350
MK*44A-484[ JV	\$10,890	48,400	11,840	119.00	19.00	26.75	470

\* Review technical bulletin for use of 'D' for DOE / NRCan compliant model or 'A' for non-regulated.

Variable Speed EC motors are standard; specify dual speed control "D."

Variable Speed EC motors are 115 V or 208-230 V power only and use 0-10 V DC control signal.

Dual Speed EC Motors are 115 V or 208-230 V power only and use 10 V DC control signal to operate at minimum speed.

[ ] Refrigerant letter. Include price adder for circuiting with 'B' - glycol / brine or 'C' - CO<sub>2</sub>.

### MK / MV MODEL OPTIONS

NUMBER OF FANS	DUAL SPEED EC MOTOR ADDER*	PSC MOTOR DEDUCT *	ELECTROFIN (AIR OR GAS DEFROST ONLY)	COPPER FIN	PAINTED CABINET WHITE / BLACK	LONG THROW ADAPTERS	HEAT RECLAIM, GLYCOL, OR CO <sub>2</sub> CIRCUITING
1	\$0	(\$400)	\$1,550	\$850	\$720	\$240	\$290
2	\$0	(\$800)	\$1,800	\$1,700	\$720	\$480	\$290
3	\$0	(\$1,200)	\$2,550	\$2,550	\$860	\$720	\$290
4	\$0	(\$1,600)	\$3,320	\$3,400	\$910	\$960	\$290

NUMBER OF FANS	INSULATED ALUMINUM DRAIN PAN	SS LONG THROW ADAPTERS	SS NON- INSULATED DRAIN PAN (ONLY)	SS INSULATED DRAIN PAN (ONLY)	SS HOUSING AND SS NON- INSULATED DRAIN PAN	SS HOUSING AND SS INSULATED DRAIN PAN
1	\$450	\$590	\$700	\$1,390	\$1,580	\$2,340
2	\$570	\$1,180	\$880	\$1,710	\$1,960	\$2,920
3	\$750	\$1,770	\$1,160	\$2,070	\$2,680	\$3,760
4	\$1,200	\$2,360	\$1,860	\$3,150	\$3,900	\$5,400

- DOE / NRCan models are shown and can be applied for non-regulated applications without controls.
- Confirm AWEF for refrigerant being applied and select Variable Speed motor if required.
- Controls for Dual Speed or Variable Speed are not included in unit pricing shown.
- Select from controls options on Unit Cooler Accessories.
- Capacities shown reflect midpoint evaporating temperature.

\* PSC MOTORS ARE NOT ALLOWED IN THE US AND CANADA FOR DIRECT EXPANSION APPLICATIONS. DO NOT CHOOSE THIS DEDUCT FOR UNITS SHIPPING TO THESE LOCATIONS.



# MK / MV PRODUCT DESCRIPTION - MEDIUM PROFILE EVAPORATORS

Version: September 2023

## MK / MV MODEL - Electric Defrost, Low / Medium Temperature

### ELECTRIC DEFROST - LOW / MEDIUM TEMPERATURE

MODEL	LIST PRICE	CAPACITY (BTU/H) @ 10° F TD		AIR FLOW (CFM)	DIMENSIONS (IN)			SHIP WGT (LBS)
		-20° F Evap	+20° F Evap		L	W	H	
MK*16E-103[ JV	\$3,610	10,300	11,800	2,815	38.00	19.00	26.75	125
MK*16E-127[ JV	\$3,810	12,700	14,500	2,725	38.00	19.00	26.75	130
MK*26E-206[ JV	\$6,240	20,600	23,600	5,630	63.00	19.00	26.75	225
MK*26E-254[ JV	\$7,580	25,400	29,000	5,450	63.00	19.00	26.75	240
MK*36E-309[ JV	\$9,100	30,900	35,400	8,445	92.00	19.00	26.75	330
MK*36E-381[ JV	\$10,320	38,100	43,500	8,175	92.00	19.00	26.75	350
MK*46E-508[ JV	\$12,210	50,800	58,000	10,900	119.00	19.00	26.75	470
MK*14E-082[ JV	\$3,570	8,200	9,400	3,060	38.00	19.00	26.75	125
MK*14E-105[ JV	\$3,750	10,500	12,100	2,960	38.00	19.00	26.75	130
MK*24E-164[ JV	\$6,100	16,400	18,800	6,120	63.00	19.00	26.75	225
MK*24E-210[ JV	\$7,460	21,000	24,200	5,920	63.00	19.00	26.75	240
MK*34E-246[ JV	\$8,960	24,600	28,200	9,180	92.00	19.00	26.75	330
MK*34E-315[ JV	\$10,120	31,500	36,300	8,880	92.00	19.00	26.75	350
MK*44E-420[ JV	\$11,980	42,000	48,400	11,840	119.00	19.00	26.75	470

\* Review technical bulletin for use of 'D' for DOE / NRCan compliant model or 'A' for non-regulated.

### LOW TEMPERATURE - BELOW +30° F EXTRA HIGH VELOCITY

MODEL	LIST PRICE	CAPACITY (BTU/H) @ 10° F TD		AIR FLOW (CFM)	DIMENSIONS (IN)			SHIP WGT (LBS)
		-20° F Evap	+20° F Evap		L	W	H	
MVA16E-126[ JV	\$4,450	12,600	N/A	3,955	38.00	19.00	26.75	125
MVA16E-155[ JV	\$5,190	15,500	N/A	3,800	38.00	19.00	26.75	130
MVA26E-252[ JV	\$7,440	25,200	N/A	7,910	63.00	19.00	26.75	225
MVA26E-310[ JV	\$8,890	31,000	N/A	7,600	63.00	19.00	26.75	240
MVA36E-378[ JV	\$10,620	37,800	N/A	11,865	92.00	19.00	26.75	330
MVA36E-465[ JV	\$12,050	46,500	N/A	11,400	92.00	19.00	26.75	350
MVA46E-620[ JV	\$14,200	62,000	N/A	15,200	119.00	19.00	26.75	470
MVA14E-100[ JV	\$4,220	10,000	N/A	4,300	38.00	19.00	26.75	125
MVA14E-128[ JV	\$4,830	12,800	N/A	4,130	38.00	19.00	26.75	130
MVA24E-200[ JV	\$7,360	20,000	N/A	8,600	63.00	19.00	26.75	225
MVA24E-256[ JV	\$8,690	25,600	N/A	8,260	63.00	19.00	26.75	240
MVA34E-300[ JV	\$10,420	30,000	N/A	12,900	92.00	19.00	26.75	330
MVA34E-384[ JV	\$11,820	38,400	N/A	12,390	92.00	19.00	26.75	350
MVA44E-512[ JV	\$13,920	51,200	N/A	16,520	119.00	19.00	26.75	470

MV models are 'A' for non-regulated applications only.

Variable Speed EC motors are standard; specify dual speed control "D."

Variable Speed EC motors are 115 V or 208-230 V power only and use 0-10 V DC control signal.

Dual Speed EC Motors are 115 V or 208-230 V power only and use 10 V DC control signal to operate at minimum speed.

[ ] Refrigerant letter. Include price adder for circuiting with 'B' - glycol / brine or 'C' - CO<sub>2</sub>.

- DOE / NRCan models are shown for MK and can be applied for non-regulated applications without controls.
- MV models are for non-regulated options and operates as single speed without controls.
- Confirm AWEF for refrigerant being applied and select Variable or Dual Speed motor as required.
- Controls for Dual Speed or Variable Speed are not included in unit pricing shown.
- Select from controls options on Unit Cooler Accessories.
- Capacities shown reflect midpoint evaporating temperature.



# MK / MV PRODUCT DESCRIPTION - MEDIUM PROFILE EVAPORATORS

Version: September 2023

## MK / MV MODEL - Gas Defrost, Low / Medium Temperature

### HOT GAS DEFROST - LOW / MEDIUM TEMPERATURE

MODEL	LIST PRICE BY DEFROST TYPE				CAPACITY (BTU/H) @ 10 °F TD		AIR FLOW (CFM)	DIMENSIONS (IN)			SHIP WGT (LBS)
	(P)	(K)	(H)	(G)	-20° F Evap	+20° F Evap		L	W	H	
MK*16( )-103[ ]V	\$3,540	\$3,990	\$3,280	\$3,750	10,300	11,800	2,815	38.00	19.00	26.75	125
MK*16( )-127[ ]V	\$3,730	\$4,200	\$3,480	\$3,940	12,700	14,500	2,725	38.00	19.00	26.75	130
MK*26( )-206[ ]V	\$6,080	\$6,840	\$5,820	\$6,560	20,600	23,600	5,630	63.00	19.00	26.75	225
MK*26( )-254[ ]V	\$7,380	\$8,360	\$7,130	\$8,100	25,400	29,000	5,450	63.00	19.00	26.75	240
MK*36( )-309[ ]V	\$8,750	\$10,010	\$8,470	\$9,740	30,900	35,400	8,445	92.00	19.00	26.75	330
MK*36( )-381[ ]V	\$9,900	\$11,360	\$9,640	\$11,090	38,100	43,500	8,175	92.00	19.00	26.75	350
MK*46( )-508[ ]V	\$11,710	\$13,390	\$11,450	\$13,140	50,800	58,000	10,900	119.00	19.00	26.75	470
MK*14( )-082[ ]V	\$3,400	\$3,840	\$3,150	\$3,580	8,200	9,400	3,060	38.00	19.00	26.75	125
MK*14( )-105[ ]V	\$3,560	\$4,020	\$3,300	\$3,770	10,500	12,100	2,960	38.00	19.00	26.75	130
MK*24( )-164[ ]V	\$5,830	\$6,540	\$5,570	\$6,280	16,400	18,800	6,120	63.00	19.00	26.75	225
MK*24( )-210[ ]V	\$7,110	\$8,010	\$6,860	\$7,760	21,000	24,200	5,920	63.00	19.00	26.75	240
MK*34( )-246[ ]V	\$8,400	\$9,590	\$8,140	\$9,320	24,600	28,200	9,180	92.00	19.00	26.75	330
MK*34( )-315[ ]V	\$9,480	\$10,880	\$9,240	\$10,620	31,500	36,300	8,880	92.00	19.00	26.75	350
MK*44( )-420[ ]V	\$11,240	\$12,830	\$10,970	\$12,580	42,000	48,400	11,840	119.00	19.00	26.75	470

\* Review technical bulletin for use of 'D' for DOE / NRCan compliant model or 'A' for non-regulated.

Variable Speed EC motors are standard; specify dual speed control "D."

Variable Speed EC motors are 115 V or 208-230 V power only and use 0-10 V DC control signal.

Dual Speed EC Motors are 115 V or 208-230 V power only and use 10 V DC control signal to operate at minimum speed.

[ ] Refrigerant letter. Include price adder for circuiting with 'B' - glycol / brine or 'C' - CO<sub>2</sub>.

#### Available Types of Defrost

(H) = HGE 3 Pipe Hot Gas with Electric Pan Heat - No defrost termination or fan delay

(G) = HGG 3 Pipe Hot Gas with Gas Pan Heat - No defrost termination or fan delay

(P) = KGE 2 Pipe Kool gas with Electric Pan Heat

(K) = KGG 2 Pipe Kool Gas with Gas Pan Heat

- DOE / NRCan models are shown and can be applied for non-regulated applications without controls.
- Confirm AWEF for refrigerant being applied and select Variable or Dual Speed motor as required.
- Controls for Dual Speed or Variable Speed are not included in unit pricing shown.
- Select from controls options on Unit Cooler Accessories.
- Capacities shown reflect midpoint evaporating temperature.



# MS PRODUCT DESCRIPTION - MEDIUM PROFILE EVAPORATORS

Version: **September 2023**

## MS MODEL KEY

	MS	A	2	6	E	-	0390	T	C	K	K	
<b>Unit Type</b>												<b>Heater Voltage</b>
MS - Super Cooler												A - 208-230/1/60    O - 575/1/60
<b>DOE Application</b>												H - 460/1/60        P - 575/3/60
D - DOE and NRCan												K - 208-230/3/60    U - 380/3/50
A - Non-Regulated												L - 380/3/60*        A, O, and H available only for P&H defrost
<b>Number of Fans</b>												M - 460/3/60
<b>Fin Spacing</b>												<b>Motor Voltage</b>
4, 5, 6, 7 FPI												A - 208-230/1/60    M - 460/3/60
<b>Type of Defrost</b>												B - 115/1/60        P - 575/3/60
A - Air Defrost												K - 208-230/3/60    U - 380/3/50
E - Electric Defrost w/Electric Pan Heat												L - 380/3/60*
G - 3 Pipe Hot Gas w/Gas Pan Heat												<b>Motor Type</b>
H - 3 Pipe Hot Gas w/Electric Pan Heat												C - 3 Phase Motors**
K - 2 Pipe Kool Gas w/Gas Pan Heat												V - Variable Speed EC***
P - 2 Pipe Kool Gas w/Electric Pan Heat												D - Variable Speed EC, Dual Speed Control***
R - Heat Reclaim												<b>Refrigerant</b>
												N - Stock Unit****
												G - Stock Unit*****
												S - R-404A
												Q - R-407A    T - R-448A
												P - R-507A
												F - R-407F    R - R-449A
												B - Glycol / Brine
												<b>BTU/H in Hundreds (00)</b>

\* Contact Application Engineering for quoting.

\*\* Inverter suitable motor for K, M, P, and U voltages.

\*\*\* Single phase motor available in motor voltage: 115/1/60, 208-230/1/60, and 208-230/3/60 (with two or more fans).

**DOE or NRCan applications use Variable Speed motors with Dual Speed or Variable Speed control.**

\*\*\*\* 'N' Stock Units are for non-glide or glide refrigerants (consult I/O manual for complete refrigerant listing).

\*\*\*\*\* 'G' Stock Units are for glide refrigerants only (consult I/O manual for complete refrigerant listing).



### DOE / NRCan -

The MS Series is constructed for ease of maintenance with testing and options to meet efficiency required by DOE and NRCan regulations.



# MS PRODUCT DESCRIPTION - MEDIUM PROFILE EVAPORATORS

Version: September 2023

## MS MODEL - Air Defrost, Medium Temperature

### AIR DEFROST - MEDIUM TEMPERATURE

MODEL	LIST PRICE	CAPACITY (BTU/H) @ 10° F TD +25° F Evap	AIR FLOW (CFM)	DIMENSIONS (IN)			SHIP WGT (LBS)
				L	W	H	
MS*14A-0150[ ]C	\$3,610	15,020	4,200	57.00	26.63	26.25	142
MS*14A-0190[ ]C	\$4,420	19,030	4,120	57.00	26.63	26.25	153
MS*14A-0225[ ]C	\$5,010	22,470	4,000	57.00	26.63	26.25	171
MS*14A-0249[ ]C	\$5,550	24,910	3,920	57.00	26.63	26.25	184
MS*16A-0184[ ]C	\$3,750	18,360	4,120	57.00	26.63	26.25	151
MS*16A-0229[ ]C	\$4,550	22,940	4,040	57.00	26.63	26.25	164
MS*16A-0260[ ]C	\$5,180	26,010	3,940	57.00	26.63	26.25	182
MS*16A-0281[ ]C	\$5,740	28,100	3,850	57.00	26.63	26.25	197
MS*17A-0199[ ]C	\$3,800	19,880	4,080	57.00	26.63	26.25	161
MS*17A-0246[ ]C	\$4,640	24,590	4,000	57.00	26.63	26.25	174
MS*17A-0275[ ]C	\$5,270	27,500	3,900	57.00	26.63	26.25	194
MS*17A-0295[ ]C	\$5,850	29,540	3,800	57.00	26.63	26.25	209
MS*24A-0300[ ]C	\$6,050	30,040	8,400	102.00	26.63	26.25	247
MS*24A-0381[ ]C	\$7,690	38,050	8,240	102.00	26.63	26.25	272
MS*24A-0450[ ]C	\$8,670	44,950	8,000	102.00	26.63	26.25	301
MS*24A-0498[ ]C	\$9,370	49,820	7,840	102.00	26.63	26.25	326
MS*26A-0367[ ]C	\$6,230	36,710	8,240	102.00	26.63	26.25	269
MS*26A-0459[ ]C	\$7,930	45,880	8,080	102.00	26.63	26.25	297
MS*26A-0520[ ]C	\$8,940	52,030	7,880	102.00	26.63	26.25	328
MS*26A-0562[ ]C	\$9,650	56,190	7,700	102.00	26.63	26.25	355
MS*27A-0398[ ]C	\$6,360	39,760	8,160	102.00	26.63	26.25	309
MS*27A-0492[ ]C	\$8,090	49,180	8,000	102.00	26.63	26.25	342
MS*27A-0550[ ]C	\$9,100	55,000	7,800	102.00	26.63	26.25	370
MS*27A-0591[ ]C	\$9,840	59,080	7,600	102.00	26.63	26.25	419
MS*34A-0524[ ]C	\$10,430	52,400	12,135	129.00	26.63	26.25	369
MS*34A-0623[ ]C	\$11,830	62,250	11,505	129.00	26.63	26.25	402
MS*34A-0708[ ]C	\$12,610	70,820	11,325	129.00	26.63	26.25	433
MS*36A-0626[ ]C	\$10,750	62,610	11,895	129.00	26.63	26.25	402
MS*36A-0712[ ]C	\$12,200	71,180	11,040	129.00	26.63	26.25	438
MS*36A-0806[ ]C	\$13,010	80,620	10,995	129.00	26.63	26.25	472
MS*37A-0663[ ]C	\$10,990	66,340	11,700	129.00	26.63	26.25	419
MS*37A-0755[ ]C	\$12,960	75,540	10,995	129.00	26.63	26.25	456
MS*37A-0849[ ]C	\$13,270	84,870	10,905	129.00	26.63	26.25	492
MS*44A-0699[ ]C	\$13,610	69,870	16,180	168.00	26.63	26.25	493
MS*44A-0830[ ]C	\$14,740	83,000	15,340	168.00	26.63	26.25	528
MS*44A-0944[ ]C	\$16,200	94,430	15,100	168.00	26.63	26.25	578
MS*46A-0835[ ]C	\$14,030	83,480	15,860	168.00	26.63	26.25	538
MS*46A-0949[ ]C	\$15,190	94,900	14,720	168.00	26.63	26.25	576
MS*46A-1075[ ]C	\$16,730	107,490	14,660	168.00	26.63	26.25	630
MS*47A-0885[ ]C	\$14,320	88,450	15,600	168.00	26.63	26.25	560
MS*47A-1007[ ]C	\$15,540	100,720	14,660	168.00	26.63	26.25	600
MS*47A-1132[ ]C	\$17,120	113,170	14,540	168.00	26.63	26.25	656

\* Review technical bulletin for use of 'D' for DOE / NRCan compliant model or 'A' for non-regulated.

3 phase motors for use in non-regulated applications are standard. Include price adder with Variable Speed or Dual Speed. Variable Speed EC motors are 115 V or 208-230 V power only and use 0-10 V DC control signal.

Dual Speed EC Motors are 115 V or 208-230 V power only and use 10 V DC control signal to operate at minimum speed.

[ ] Refrigerant letter. Include price adder for circuiting with 'B' - glycol.

- Non-regulated models are shown with single speed 3 phase motors.
- Confirm AWEF for refrigerant being applied and select Variable or Dual Speed motor as required.
- Controls for Dual Speed or Variable Speed are not included in unit pricing shown.
- Select from controls options on Unit Cooler Accessories.
- Capacities shown reflect midpoint evaporating temperature.



# MS PRODUCT DESCRIPTION - MEDIUM PROFILE EVAPORATORS

Version: September 2023

## MS MODEL - Electric Defrost, Low / Medium Temperature

### ELECTRIC DEFROST - LOW / MEDIUM TEMPERATURE

MODEL	LIST PRICE	CAPACITY (BTU/H) @ 10°F TD		AIR FLOW (CFM)	DIMENSIONS (IN)			SHIP WGT (LBS)
		-20°F Evap	+20°F Evap		L	W	H	
MS*14E-0162[ ]C	\$5,150	16,180	19,030	4,120	57.00	26.63	26.25	174
MS*14E-0212[ ]C	\$6,360	21,170	24,910	3,920	57.00	26.63	26.25	208
MS*15E-0178[ ]C	\$5,220	17,790	20,930	4,060	57.00	26.63	26.25	186
MS*15E-0223[ ]C	\$6,470	22,260	26,190	3,890	57.00	26.63	26.25	221
MS*16E-0195[ ]C	\$5,300	19,500	22,940	4,040	57.00	26.63	26.25	198
MS*16E-0239[ ]C	\$6,540	23,890	28,100	3,850	57.00	26.63	26.25	236
MS*24E-0323[ ]C	\$10,920	32,340	38,050	8,240	102.00	26.63	26.25	297
MS*24E-0424[ ]C	\$11,970	42,350	49,820	7,840	102.00	26.63	26.25	357
MS*25E-0356[ ]C	\$11,090	35,580	41,860	8,120	102.00	26.63	26.25	317
MS*25E-0444[ ]C	\$12,180	44,450	52,290	7,780	102.00	26.63	26.25	381
MS*26E-0390[ ]C	\$11,260	39,000	45,880	8,080	102.00	26.63	26.25	337
MS*26E-0478[ ]C	\$12,350	47,760	56,190	7,700	102.00	26.63	26.25	406
MS*34E-0445[ ]C	\$12,770	44,540	52,400	12,135	129.00	26.63	26.25	398
MS*34E-0602[ ]C	\$13,870	60,200	70,820	11,325	129.00	26.63	26.25	470
MS*35E-0502[ ]C	\$12,990	50,180	59,030	12,015	129.00	26.63	26.25	425
MS*35E-0643[ ]C	\$14,080	64,330	75,680	11,205	129.00	26.63	26.25	502
MS*36E-0532[ ]C	\$13,180	53,220	62,610	11,895	129.00	26.63	26.25	452
MS*36E-0685[ ]C	\$14,270	68,530	80,620	10,995	129.00	26.63	26.25	534
MS*44E-0594[ ]C	\$16,350	59,390	69,870	16,180	168.00	26.63	26.25	541
MS*44E-0803[ ]C	\$18,840	80,270	94,430	15,100	168.00	26.63	26.25	616
MS*45E-0669[ ]C	\$16,600	66,900	78,710	16,020	168.00	26.63	26.25	578
MS*45E-0858[ ]C	\$19,120	85,770	100,910	14,940	168.00	26.63	26.25	658
MS*46E-0710[ ]C	\$16,850	70,960	83,480	15,860	168.00	26.63	26.25	615
MS*46E-0914[ ]C	\$19,430	91,370	107,490	14,660	168.00	26.63	26.25	700

\* Review technical bulletin for use of 'D' for DOE / NRCan compliant model or 'A' for non-regulated. Type 'C' 3 phase motors for use in non-regulated applications are standard. Include price adder with Variable Speed or Dual Speed. Variable Speed EC motors are 115 V or 208-230 V power only and use 0-10 V DC control signal. Dual Speed EC Motors are 115 V or 208-230 V power only and use 10 V DC control signal to operate at minimum speed. [ ] Refrigerant letter. Include price adder for circuiting with B - glycol.

### MS MODEL OPTIONS

NUMBER OF FANS	VARIABLE SPEED EC MOTOR ADDER*	ELECTROFIN (AIR OR GAS DEFROST ONLY)	COPPER FIN	PAINTED CABINET WHITE / BLACK	LONG THROW ADAPTERS	HEAT RECLAIM OR GLYCOL CIRCUITING
1	\$150	\$2,000	\$1,960	\$720	\$290	\$290
2	\$290	\$2,800	\$3,930	\$720	\$580	\$290
3	\$440	\$3,570	\$5,890	\$860	\$870	\$290
4	\$590	\$4,690	\$7,850	\$1,050	\$1,160	\$290

NUMBER OF FANS	SS LONG THROW ADAPTERS	GALVANIZED INSULATED DRAIN PAN	SS DRAIN PAN (ONLY)	SS INSULATED DRAIN PAN	SS HOUSING AND SS DRAIN PAN	SS HOUSING AND SS INSULATED DRAIN PAN
1	\$880	\$510	\$670	\$1,350	\$2,110	\$2,930
2	\$1,760	\$900	\$1,210	\$2,380	\$3,310	\$4,690
3	\$2,640	\$1,100	\$2,330	\$3,480	\$5,310	\$6,750
4	\$3,520	\$1,460	\$2,690	\$4,310	\$6,280	\$8,260

- Non-regulated models are shown with single speed 3 phase motors.
- Confirm AWEF for refrigerant being applied and select Variable or Dual Speed motor as required.
- Controls for Dual Speed or Variable Speed are not included in unit pricing shown.
- Select from controls options on Unit Cooler Accessories.
- Capacities shown reflect midpoint evaporating temperature.





# MS PRODUCT DESCRIPTION - MEDIUM PROFILE EVAPORATORS

Version: September 2023

## MS MODEL - Gas Defrost, Low / Medium Temperature

### GAS DEFROST - LOW / MEDIUM TEMPERATURE

MODEL	LIST PRICE BY DEFROST TYPE				CAPACITY (BTU/H) @ 10° F TD		AIR FLOW (CFM)	DIMENSIONS (IN)			SHIP WGT (LBS)
	(P)	(K)	(H)	(G)	-20° F Evap	+20° F Evap		L	W	H	
MS*14( )-0162[C]	\$5,010	\$6,340	\$4,790	\$6,280	16,180	19,030	4,120	57.00	26.63	26.25	174
MS*14( )-0212[C]	\$6,210	\$7,670	\$5,920	\$7,600	21,170	24,910	3,920	57.00	26.63	26.25	208
MS*15( )-0178[C]	\$5,100	\$6,430	\$4,860	\$6,390	17,790	20,930	4,060	57.00	26.63	26.25	186
MS*15( )-0223[C]	\$6,290	\$7,760	\$6,020	\$7,740	22,260	26,190	3,890	57.00	26.63	26.25	221
MS*16( )-0195[C]	\$5,180	\$6,500	\$4,940	\$6,490	19,500	22,940	4,040	57.00	26.63	26.25	198
MS*16( )-0239[C]	\$6,390	\$7,880	\$6,090	\$7,880	23,890	28,100	3,850	57.00	26.63	26.25	236
MS*24( )-0323[C]	\$10,640	\$12,980	\$10,150	\$12,860	32,340	38,050	8,240	102.00	26.63	26.25	297
MS*24( )-0424[C]	\$11,680	\$14,120	\$11,150	\$14,000	42,350	49,820	7,840	102.00	26.63	26.25	357
MS*25( )-0356[C]	\$10,820	\$13,160	\$10,320	\$13,110	35,580	41,860	8,120	102.00	26.63	26.25	317
MS*25( )-0444[C]	\$11,850	\$14,320	\$11,300	\$14,260	44,450	52,290	7,780	102.00	26.63	26.25	381
MS*26( )-0390[C]	\$10,980	\$13,340	\$10,460	\$13,320	39,000	45,880	8,080	102.00	26.63	26.25	337
MS*26( )-0478[C]	\$12,040	\$14,520	\$11,500	\$14,490	47,760	56,190	7,700	102.00	26.63	26.25	406
MS*34( )-0445[C]	\$12,460	\$15,240	\$11,890	\$15,110	44,540	52,400	12,135	129.00	26.63	26.25	398
MS*34( )-0602[C]	\$13,520	\$16,440	\$12,900	\$16,290	60,200	70,820	11,325	129.00	26.63	26.25	470
MS*35( )-0502[C]	\$12,650	\$15,479	\$12,080	\$15,330	50,180	59,030	12,015	129.00	26.63	26.25	425
MS*35( )-0643[C]	\$13,700	\$16,660	\$13,090	\$16,550	64,330	75,680	11,205	129.00	26.63	26.25	502
MS*36( )-0532[C]	\$12,850	\$15,680	\$12,260	\$15,590	53,220	62,610	11,895	129.00	26.63	26.25	452
MS*36( )-0685[C]	\$13,920	\$16,880	\$13,280	\$16,850	68,530	80,620	10,995	129.00	26.63	26.25	534
MS*44( )-0594[C]	\$15,940	\$19,480	\$15,190	\$19,320	59,390	69,870	16,180	168.00	26.63	26.25	541
MS*44( )-0803[C]	\$18,380	\$22,210	\$17,520	\$22,020	80,270	94,430	15,100	168.00	26.63	26.25	616
MS*45( )-0669[C]	\$16,180	\$19,740	\$15,440	\$19,650	66,900	78,710	16,020	168.00	26.63	26.25	578
MS*45( )-0858[C]	\$18,650	\$22,510	\$17,790	\$22,390	85,770	100,910	14,940	168.00	26.63	26.25	658
MS*46( )-0710[C]	\$16,420	\$20,020	\$15,670	\$19,970	70,960	83,480	15,860	168.00	26.63	26.25	615
MS*46( )-0914[C]	\$18,930	\$22,850	\$18,060	\$22,820	91,370	107,490	14,660	168.00	26.63	26.25	700

\* Review technical bulletin for use of 'D' for DOE / NRC compliant model or 'A' for non-regulated.

Type 'C' 3 phase motors for use in non-regulated applications are standard. Include price adder with Variable Speed or Dual Speed.

Variable Speed EC motors are 115 V or 208-230 V power only and use 0-10 V DC control signal.

Dual Speed EC Motors are 115 V or 208-230 V power only and use 10 V DC control signal to operate at minimum speed.

[ ] Refrigerant letter. Include price adder for circuiting with 'B' - glycol.

#### Available Types of Defrost

(H) = HGE 3 Pipe Gas Defrost w/ Electric Pan Heat

(G) = HGG 3 Pipe Gas Defrost w/ Gas Pan Heat

(P) = KGE 2 Pipe Kool Gas Defrost w/ Electric Pan Heat

(K) = KGG 2 Pipe Kool Gas Defrost w/ Gas Pan Heat

- Non-regulated models are shown with single speed 3 phase motors.
- Confirm AWEF for refrigerant being applied and select Variable or Dual Speed motor as required.
- Controls for Dual Speed or Variable Speed are not included in unit pricing shown.
- Select from controls options on Unit Cooler Accessories.
- Capacities shown reflect midpoint evaporating temperature.





# SM / SV PRODUCT DESCRIPTION - HIGH PROFILE EVAPORATORS

Version: September 2023

## SM / SV MODEL KEY

SM A 2 5 E - 0842 T C K K

### Unit Type

SM - Space Master  
SV - High Velocity

### DOE Application

D - DOE and NRCan  
A - Non-Regulated

### Number of Fans

### Fin Spacing

4, 5, 6, 7 FPI

### Type of Defrost

A - Air Defrost  
E - Electric Defrost w/Electric Pan Heat  
G - 3 Pipe Hot Gas w/Gas Pan Heat  
H - 3 Pipe Hot Gas w/Electric Pan Heat  
K - 2 Pipe Kool Gas w/Gas Pan Heat  
P - 2 Pipe Kool Gas w/Electric Pan Heat  
R - Heat Reclaim

### Heater Voltage

K - 208-230/3/60  
M - 460/3/60  
P - 575/3/60  
U - 380/3/50  
L - 380/3/60\*

### Motor Voltage

K - 208-230/3/60  
M - 460/3/60  
P - 575/3/60  
U - 380/3/50  
L - 380/3/60\*

### Motor Type\*\*\*

C - 3 Phase Motors\*\*  
V - Variable Speed EC, 3 Phase EC\*\*\*  
D - Variable Speed EC, Dual Speed Control\*\*\*

### Refrigerant

N - Stock Unit****	G - Stock Unit*****
S - R-404A	Q - R-407A T - R-448A
P - R-507A	F - R-407F R - R-449A

B - Glycol / Brine

BTU/H in Hundreds (00)

\* Contact Application Engineering for quoting.

\*\* Type 'C' 3 phase motors for use in non-regulated applications are standard. Inverters are suitable for 3 phase motors with K, M, P, and U voltages.

\*\*\* Available in K, M, P, and U motor voltage for DOE / NRCan applications will require Dual Speed or Variable Speed control.

\*\*\*\* 'N' Stock Units are for non-glide or glide refrigerants (consult I/O manual for complete refrigerant listing).

\*\*\*\*\* 'G' Stock Units are for glide refrigerants only (consult I/O manual for complete refrigerant listing).



### DOE / NRCan -

The SM / SV Series is constructed for ease of maintenance with testing and options to meet efficiency required by DOE and NRCan regulations.



# SM / SV PRODUCT DESCRIPTION - HIGH PROFILE EVAPORATORS

Version: September 2023

## SM / SV MODEL - Air Defrost, Medium Temperature

### AIR DEFROST - MEDIUM TEMPERATURE

MODEL	LIST PRICE	CAPACITY (BTU/H) @ 10°F TD +25°F Evap	AIR FLOW (CFM)	DIMENSIONS (IN)			SHIP WGT (LBS)
				L	W	H	
SM*14A-0314[ ]C	\$6,830	31,400	9,860	77.00	38.50	40.50	410
SM*16A-0378[ ]C	\$7,160	37,800	8,980	77.00	38.50	40.50	445
SM*17A-0410[ ]C	\$7,330	41,000	8,550	77.00	38.50	40.50	465
SM*14A-0403[ ]C	\$7,720	40,300	9,690	77.00	38.50	40.50	430
SM*16A-0463[ ]C	\$7,960	46,300	8,810	77.00	38.50	40.50	470
SM*17A-0503[ ]C	\$8,280	50,300	8,390	77.00	38.50	40.50	490
SM*14A-0469[ ]C	\$8,420	46,900	9,510	77.00	38.50	40.50	450
SM*16A-0538[ ]C	\$8,670	53,800	8,480	77.00	38.50	40.50	495
SM*17A-0585[ ]C	\$9,290	58,500	8,100	77.00	38.50	40.50	515
SM*14A-0526[ ]C	\$9,310	52,600	9,330	77.00	38.50	40.50	484
SM*16A-0604[ ]C	\$9,440	60,400	8,400	77.00	38.50	40.50	530
SM*17A-0657[ ]C	\$9,540	65,700	8,000	77.00	38.50	40.50	550
SM*24A-0619[ ]C	\$10,900	61,900	19,700	134.25	38.50	40.50	830
SM*26A-0746[ ]C	\$11,160	74,600	17,900	134.25	38.50	40.50	885
SM*27A-0811[ ]C	\$11,540	81,100	17,100	134.25	38.50	40.50	940
SM*24A-0797[ ]C	\$12,510	79,700	19,380	134.25	38.50	40.50	836
SM*26A-0915[ ]C	\$12,990	91,500	17,600	134.25	38.50	40.50	895
SM*27A-0995[ ]C	\$14,760	99,500	16,800	134.25	38.50	40.50	950
SM*24A-0882[ ]C	\$15,740	88,200	18,890	134.25	38.50	40.50	845
SM*26A-1063[ ]C	\$16,550	106,300	16,900	134.25	38.50	40.50	905
SM*27A-1155[ ]C	\$17,980	115,500	16,100	134.25	38.50	40.50	960
SM*24A-1038[ ]C	\$18,800	103,800	18,400	134.25	38.50	40.50	858
SM*26A-1192[ ]C	\$19,480	119,200	16,800	134.25	38.50	40.50	915
SM*27A-1296[ ]C	\$19,570	129,600	15,900	134.25	38.50	40.50	975
SM*34A-1123[ ]C	\$19,740	112,300	28,600	134.25	38.50	51.00	960
SM*36A-1289[ ]C	\$20,150	128,900	24,900	134.25	38.50	51.00	1,070
SM*37A-1402[ ]C	\$20,600	140,200	24,700	134.25	38.50	51.00	1,090
SM*34A-1243[ ]C	\$21,230	124,300	28,000	134.25	38.50	51.00	1,034
SM*36A-1498[ ]C	\$21,650	149,800	24,600	134.25	38.50	51.00	1,156
SM*37A-1628[ ]C	\$22,790	162,800	23,700	134.25	38.50	51.00	1,175
SM*34A-1463[ ]C	\$23,500	146,300	27,400	134.25	38.50	51.00	1,100
SM*36A-1678[ ]C	\$23,850	167,800	24,400	134.25	38.50	51.00	1,235
SM*37A-1824[ ]C	\$25,870	182,400	23,500	134.25	38.50	51.00	1,255
SM*44A-1532[ ]C	\$26,680	153,200	33,900	173.00	38.50	52.50	1,280
SM*46A-1846[ ]C	\$27,090	184,600	33,200	173.00	38.50	52.50	1,430
SM*47A-1920[ ]C	\$27,530	192,000	32,930	173.00	38.50	52.50	1,455
SM*44A-1829[ ]C	\$30,220	182,900	33,400	173.00	38.50	52.50	1,380
SM*46A-2204[ ]C	\$30,740	220,400	32,800	173.00	38.50	52.50	1,540
SM*47A-2281[ ]C	\$30,870	228,100	31,600	173.00	38.50	52.50	1,565
SM*44A-2015[ ]C	\$32,340	201,500	33,000	173.00	38.50	52.50	1,470
SM*46A-2428[ ]C	\$32,590	242,800	32,530	173.00	38.50	52.50	1,645
SM*47A-2581[ ]C	\$33,190	258,100	31,330	173.00	38.50	52.50	1,670

\* Review technical bulletin for use of 'D' for DOE / NRCan compliant model or 'A' for non-regulated.

⌘ Unit requires two (2) expansion valves. Face split is included in the base model price.

Select optional insulated drain pan for air defrost models when required.

3 phase motors for use in non-regulated applications are standard.

Include price adder for Variable Speed or Dual Speed motors and control for variable or dual speed control.

Variable and Dual speed EC motors are 208-230/3/60, 380/3/50, 380/3/60, or 460/3/60 power only.

Variable and Dual Speed EC Motor options are BPM motors with KB electronic drives (VFD) in the control panel.

The KB drives can be used for single speed (no signal), Dual Speed (0 or 10V signal), or Variable Speed (0 thru 10V signal).

The KB drives cannot be bypassed.

See SM / SV  
options page  
for additional notes.



# SM / SV PRODUCT DESCRIPTION - HIGH PROFILE EVAPORATORS

Version: September 2023

## SM / SV MODEL - Electric Defrost, Low / Medium Temperature

### ELECTRIC DEFROST - LOW / MEDIUM TEMPERATURE

MODEL	LIST PRICE	CAPACITY (BTU/H) @ 10°F TD		AIR FLOW (CFM)	DIMENSIONS (IN)			SHIP WGT (LBS)
		-20°F Evap	+20°F Evap		L	W	H	
SM*14E-0384[ J]C	\$9,440	38,400	40,300	9,690	77.00	38.50	40.50	440
SM*15E-0426[ J]C	\$10,630	42,600	44,700	9,250	77.00	38.50	40.50	450
SM*16E-0440[ J]C	\$11,250	44,000	46,300	8,810	77.00	38.50	40.50	470
SM*14E-0501[ J]C	\$11,400	50,100	52,600	9,330	77.00	38.50	40.50	495
SM*15E-0556[ J]C	\$11,930	55,600	58,400	8,900	77.00	38.50	40.50	505
SM*16E-0574[ J]C	\$12,520	57,400	60,400	8,400	77.00	38.50	40.50	530
SM*24E-0759[ J]C	\$17,070	75,900	79,700	19,380	134.25	38.50	40.50	836
SM*25E-0842[ J]C	\$18,340	84,200	88,400	18,500	134.25	38.50	40.50	874
SM*26E-0869[ J]C	\$19,600	86,900	91,500	17,600	134.25	38.50	40.50	912
SM*24E-0989[ J]C	\$20,280	98,900	103,800	18,400	134.25	38.50	40.50	860
SM*25E-1097[ J]C	\$22,220	109,700	115,200	17,600	134.25	38.50	40.50	900
SM*26E-1132[ J]C	\$23,220	113,200	119,200	16,800	134.25	38.50	40.50	920
SM*34E-1070[ J]C	\$23,670	107,000	112,300	28,600	134.25	38.50	51.00	1,030
SM*35E-1186[ J]C	\$24,150	118,600	124,500	27,300	134.25	38.50	51.00	1,050
SM*36E-1225[ J]C	\$25,140	122,500	128,900	24,900	134.25	38.50	51.00	1,060
SM*34E-1393[ J]C	\$29,400	139,300	146,300	27,400	134.25	38.50	51.00	1,195
SM*35E-1544[ J]C	\$30,740	154,400	162,100	26,100	134.25	38.50	51.00	1,215
SM*36E-1594[ J]C	\$32,090	159,400	167,800	25,800	134.25	38.50	51.00	1,240
SM*44E-1465[ J]C	\$32,220	146,500	167,000	38,130	173.00	38.50	52.50	1,370
SM*45E-1523[ J]C	\$33,720	152,300	173,600	36,400	173.00	38.50	52.50	1,340
SM*46E-1754[ J]C	\$35,050	175,400	184,600	33,200	173.00	38.50	52.50	1,400
¥ SM*44E-1769[ J]C	\$40,280	176,900	201,800	36,530	173.00	38.50	52.50	1,469
¥ SM*45E-1985[ J]C	\$42,170	198,500	226,300	34,800	173.00	38.50	52.50	1,540
¥ SM*46E-2307[ J]C	\$44,290	230,700	242,800	32,530	173.00	38.50	52.50	1,600

### LOW TEMPERATURE ONLY - BELOW +30°F

MODEL	LIST PRICE	CAPACITY (BTU/H) @ 10°F TD		AIR FLOW (CFM)	DIMENSIONS (IN)			SHIP WGT (LBS)
		-20°F Evap	+20°F Evap		L	W	H	
SV*14E-0422[ J]C	\$9,920	42,200	-	11,250	77.0	38.5	40.5	440
SV*15E-0468[ J]C	\$11,110	46,800	-	11,125	77.0	38.5	40.5	450
SV*16E-0664[ J]C	\$11,730	66,400	-	11,000	77.0	38.5	40.5	530
SV*14E-0550[ J]C	\$11,910	55,000	-	11,250	77.0	38.5	40.5	495
SV*15E-0611[ J]C	\$12,390	61,100	-	11,125	77.0	38.5	40.5	505
SV*16E-0684[ J]C	\$13,000	68,400	-	11,000	77.0	38.5	40.5	540
SV*24E-0834[ J]C	\$18,050	83,400	-	24,225	134.25	38.5	40.5	836
SV*25E-0926[ J]C	\$19,310	92,600	-	23,125	134.25	38.5	40.5	874
SV*26E-1005[ J]C	\$20,570	100,500	-	22,800	134.25	38.5	40.5	912
SV*24E-1088[ J]C	\$21,190	108,800	-	23,000	134.25	38.5	40.5	860
SV*25E-1206[ J]C	\$23,190	120,600	-	22,000	134.25	38.5	40.5	900
SV*26E-1311[ J]C	\$24,840	131,100	-	21,550	134.25	38.5	40.5	920
SV*34E-1177[ J]C	\$25,140	117,700	-	35,750	134.25	38.5	51.0	1,030
SV*35E-1304[ J]C	\$25,610	130,400	-	34,125	134.25	38.5	51.0	1,050
SV*36E-1418[ J]C	\$26,580	141,800	-	33,400	134.25	38.5	51.0	1,060
SV*34E-1530[ J]C	\$30,870	153,000	-	34,250	134.25	38.5	51.0	1,195
SV*35E-1698[ J]C	\$32,200	169,800	-	32,625	134.25	38.5	51.0	1,215
SV*36E-1843[ J]C	\$33,550	184,300	-	32,000	134.25	38.5	51.0	1,240
SV*44E-1699[ J]C	\$34,170	169,900	-	47,650	173.0	38.5	52.5	1,370
SV*45E-1883[ J]C	\$35,670	188,300	-	45,500	173.0	38.5	52.5	1,340
SV*46E-2047[ J]C	\$37,010	204,700	-	44,500	173.0	38.5	52.5	1,400
¥ SV*44E-2052[ J]C	\$42,230	205,200	-	45,650	173.0	38.5	52.5	1,469
¥ SV*45E-2274[ J]C	\$44,120	227,400	-	43,600	173.0	38.5	52.5	1,540
¥ SV*46E-2472[ J]C	\$46,220	247,200	-	42,700	173.0	38.5	52.5	1,600

\* Review technical bulletin for use of 'D' for DOE / NRCan compliant model or 'A' for non-regulated.

¥ Unit requires two (2) expansion valves. Face split is included in the base model price. Face split is only required for 4-fan, 6-row low temp applications.

Insulated drain pan is standard on electric and gas defrost models.

3 phase motors for use in non-regulated applications are standard.

Include price adder for Variable Speed or Dual Speed motors and control for variable or dual speed control.

Variable and Dual speed EC motors are 208-230/3/60, 380/3/50, 380/3/60, or 460/3/60 power only.

Variable and Dual Speed EC Motor options are BPM motors with KB electronic drives (VFD) in the control panel.

The KB drives can be used for single speed (no signal), Dual Speed (0 or 10V signal), or Variable Speed (0 thru 10V signal).

The KB drives cannot be bypassed.

[ ] Refrigerant letter. Include price adder for circuiting with 'B' - glycol.

See SM / SV  
options page  
for additional notes.



# SM / SV PRODUCT DESCRIPTION - HIGH PROFILE EVAPORATORS

Version: September 2023

## SM / SV MODEL - Gas Defrost, Low / Medium Temperature

### GAS DEFROST - LOW / MEDIUM TEMPERATURE

MODEL	LIST PRICE BY DEFROST TYPE				CAPACITY (BTU/H) @ 10°F TD		AIR FLOW (CFM)	DIMENSIONS (IN)			SHIP WGT (LBS)
	(P)	(K)	(H)	(G)	-20°F Evap	+20°F Evap		L	W	H	
SM*14(-)0384[C]	\$10,640	\$11,250	\$9,650	\$10,250	38,400	40,300	9,690	77.00	38.50	40.50	440
SM*15(-)0426[C]	\$11,570	\$12,170	\$10,570	\$11,170	42,600	44,700	9,250	77.00	38.50	40.50	450
SM*16(-)0440[C]	\$12,250	\$12,880	\$11,170	\$11,760	44,000	46,300	8,810	77.00	38.50	40.50	470
SM*14(-)0501[C]	\$12,580	\$13,180	\$11,410	\$12,020	50,100	52,600	9,330	77.00	38.50	40.50	495
SM*15(-)0556[C]	\$13,030	\$13,650	\$11,890	\$12,480	55,600	58,400	8,900	77.00	38.50	40.50	505
SM*16(-)0574[C]	\$13,640	\$14,910	\$12,480	\$13,060	57,400	60,400	8,400	77.00	38.50	40.50	530
SM*24(-)0759[C]	\$18,780	\$19,820	\$17,620	\$18,660	75,900	79,700	19,380	134.25	38.50	40.50	836
SM*25(-)0842[C]	\$19,090	\$20,140	\$17,930	\$18,960	84,200	88,400	18,500	134.25	38.50	40.50	874
SM*26(-)0869[C]	\$19,900	\$23,050	\$20,110	\$21,180	86,900	91,500	17,600	134.25	38.50	40.50	912
SM*24(-)0989[C]	\$25,480	\$26,540	\$21,710	\$22,770	98,900	103,800	18,400	134.25	38.50	40.50	860
SM*25(-)1097[C]	\$26,670	\$27,720	\$22,870	\$23,920	109,700	115,200	17,600	134.25	38.50	40.50	900
SM*26(-)1132[C]	\$27,800	\$28,100	\$24,550	\$25,610	113,200	119,200	16,800	134.25	38.50	40.50	920
SM*34(-)1070[C]	\$28,700	\$29,760	\$24,920	\$25,980	107,000	112,300	28,600	134.25	38.50	51.00	1,030
SM*35(-)1186[C]	\$29,050	\$30,390	\$25,550	\$26,590	118,600	124,500	27,300	134.25	38.50	51.00	1,050
SM*36(-)1225[C]	\$30,160	\$31,010	\$26,670	\$27,730	122,500	128,900	24,900	134.25	38.50	51.00	1,060
SM*34(-)1393[C]	\$31,000	\$33,760	\$28,560	\$29,630	139,300	146,300	27,400	134.25	38.50	51.00	1,195
SM*35(-)1544[C]	\$33,620	\$34,650	\$29,490	\$30,660	154,400	162,100	26,100	134.25	38.50	51.00	1,215
SM*36(-)1594[C]	\$34,950	\$36,730	\$33,040	\$34,110	159,400	167,800	25,800	134.25	38.50	51.00	1,240
SM*44(-)1465[C]	\$40,500	\$43,340	\$34,420	\$36,080	146,500	167,000	38,130	173.00	38.50	52.50	1,370
SM*45(-)1523[C]	\$42,230	\$45,230	\$35,910	\$37,580	152,300	173,600	36,400	173.00	38.50	52.50	1,340
SM*46(-)1754[C]	\$43,800	\$46,910	\$37,250	\$38,920	175,400	184,600	33,200	173.00	38.50	52.50	1,400
¥ SM*44(-)1769[C]	\$49,110	\$53,260	\$44,980	\$46,650	176,900	201,800	36,530	173.00	38.50	52.50	1,469
¥ SM*45(-)1985[C]	\$52,080	\$55,770	\$44,860	\$46,540	198,500	226,300	34,800	173.00	38.50	52.50	1,540
¥ SM*46(-)2307[C]	\$53,960	\$58,410	\$41,770	\$48,140	230,700	242,800	32,530	173.00	38.50	52.50	1,600

### LOW TEMPERATURE ONLY - BELOW +30°F

MODEL	LIST PRICE BY DEFROST TYPE				CAPACITY (BTU/H) @ 10°F TD		AIR FLOW (CFM)	DIMENSIONS (IN)			SHIP WGT (LBS)
	(P)	(K)	(H)	(G)	-20°F Evap	+20°F Evap		L	W	H	
SV*14(-)0422[C]	\$11,120	\$11,730	\$10,130	\$10,720	42,200	-	11,250	77.00	38.50	40.50	440
SV*15(-)0468[C]	\$12,050	\$12,640	\$11,050	\$11,660	46,800	-	11,125	77.00	38.50	40.50	450
SV*16(-)0664[C]	\$12,740	\$13,370	\$11,660	\$12,250	66,400	-	11,000	77.00	38.50	40.50	530
SV*14(-)0550[C]	\$13,060	\$13,660	\$11,910	\$12,520	55,000	-	11,250	77.00	38.50	40.50	495
SV*15(-)0611[C]	\$13,520	\$14,140	\$12,360	\$12,960	61,100	-	11,125	77.00	38.50	40.50	505
SV*16(-)0684[C]	\$14,130	\$15,390	\$12,960	\$13,560	68,400	-	11,000	77.00	38.50	40.50	540
SV*24(-)0834[C]	\$19,750	\$20,790	\$18,590	\$19,640	83,400	-	24,225	134.25	38.50	40.50	836
SV*25(-)0926[C]	\$20,060	\$21,110	\$18,900	\$19,940	92,600	-	23,125	134.25	38.50	40.50	874
SV*26(-)1005[C]	\$20,860	\$24,020	\$21,070	\$22,140	100,500	-	22,800	134.25	38.50	40.50	912
SV*24(-)1088[C]	\$26,460	\$27,520	\$22,680	\$23,750	108,800	-	23,000	134.25	38.50	40.50	860
SV*25(-)1206[C]	\$27,640	\$28,690	\$23,840	\$24,890	120,600	-	22,000	134.25	38.50	40.50	900
SV*26(-)1311[C]	\$28,770	\$29,060	\$25,520	\$26,580	131,100	-	21,550	134.25	38.50	40.50	920
SV*34(-)1177[C]	\$30,150	\$31,220	\$26,390	\$27,450	117,700	-	35,750	134.25	38.50	51.00	1,030
SV*35(-)1304[C]	\$30,520	\$31,860	\$27,010	\$28,060	130,400	-	34,125	134.25	38.50	51.00	1,050
SV*36(-)1418[C]	\$31,630	\$32,470	\$28,120	\$29,180	141,800	-	33,400	134.25	38.50	51.00	1,060
SV*34(-)1530[C]	\$32,450	\$35,210	\$30,020	\$31,080	153,000	-	34,250	134.25	38.50	51.00	1,195
SV*35(-)1698[C]	\$35,090	\$36,110	\$30,950	\$32,120	169,800	-	32,625	134.25	38.50	51.00	1,215
SV*36(-)1843[C]	\$36,410	\$38,180	\$34,500	\$35,560	184,300	-	32,000	134.25	38.50	51.00	1,240
SV*44(-)1699[C]	\$42,440	\$45,280	\$36,360	\$38,020	169,900	-	47,650	173.00	38.50	52.50	1,370
SV*45(-)1883[C]	\$44,180	\$47,170	\$37,860	\$39,530	188,300	-	45,500	173.00	38.50	52.50	1,340
SV*46(-)2047[C]	\$45,740	\$48,850	\$39,200	\$40,860	204,700	-	44,500	173.00	38.50	52.50	1,400
¥ SV*44(-)2052[C]	\$51,050	\$55,200	\$44,930	\$46,590	205,200	-	45,650	173.00	38.50	52.50	1,469
¥ SV*45(-)2274[C]	\$54,020	\$57,710	\$46,800	\$48,490	227,400	-	43,600	173.00	38.50	52.50	1,540
¥ SV*46(-)2472[C]	\$55,900	\$60,350	\$43,710	\$50,090	247,200	-	42,700	173.00	38.50	52.50	1,600

\* Review technical bulletin for use of 'D' for DOE / NRCan compliant model or 'A' for non-regulated.

¥ Unit requires two (2) expansion valves. Face split is included in the base model price. Face split is only required for 4-fan, 6-row low temp applications.

Insulated drain pan is standard on electric and gas defrost models.

3 phase motors for use in non-regulated applications are standard.

Include price adder for Variable Speed or Dual Speed motors and control for variable or dual speed control.

Variable and Dual speed EC motors are 208-230/3/60, 380/3/50, 380/3/60, or 460/3/60 power only.

Variable and Dual Speed EC Motor options are BPM motors with KB electronic drives (VFD) in the control panel.

The KB drives can be used for single speed (no signal), Dual Speed (0 or 10V signal), or Variable Speed (0 thru 10V signal).

The KB drives cannot be bypassed.

[ ] Refrigerant letter. Include price adder for circuiting with 'B' - glycol.

See SM / SV options page for additional notes.

#### Available types of defrost

(H) = HGE 3 Pipe Hot Gas with Electric Pan

(G) = HGG 3 Pipe Hot Gas with Hot Gas Pan

(P) = KGE 2 Pipe Kool gas with Electric Pan

(K) = KGG 2 Pipe Kool Gas with Kool Gas Pan



**SM / SV PRODUCT DESCRIPTION -  
HIGH PROFILE EVAPORATORS**

Version: **September 2023**

**SM / SV MODEL OPTIONS**

NUMBER OF FANS	VARIABLE OR DUAL SPEED EC MOTOR (1)	ELECTROFIN (AIR OR GAS DEFROST ONLY)	COPPER FIN	PAINTED CABINET WHITE / BLACK	GALVANIZED LONG THROW ADAPTERS	SS LONG THROW ADAPTER	HEAT RECLAIM OR GLYCOL CIRCUITING
1	\$1,530	\$2,960	\$3,540	\$720	\$370	\$1,210	\$290
2	\$3,070	\$5,360	\$7,080	\$860	\$740	\$2,420	\$290
3	\$4,600	\$7,120	\$10,620	\$910	\$1,110	\$3,630	\$290
4	\$6,130	\$9,360	\$14,150	\$1,110	\$1,480	\$4,840	\$290

NUMBER OF FANS	INSULATED DRAIN PAN	SS DRAIN PAN (ONLY)	SS INSULATED DRAIN PAN (AIR DEFROST)	SS HOUSING AND DRAIN PAN	SS HOUSING AND SS INSULATED DRAIN PAN (AIR DEFROST)
1	\$1,080	\$900	\$2,140	\$3,030	\$4,270
2	\$1,480	\$1,900	\$3,910	\$4,530	\$6,520
3	\$1,480	\$1,900	\$3,910	\$4,790	\$6,780
4	\$1,960	\$2,340	\$4,050	\$5,780	\$7,490

\* Review technical bulletin for use of 'D' for DOE / NRCan compliant model or 'A' for non-regulated.

3 phase motors for use in non-regulated applications are standard.

Variable and Dual Speed EC motors are 208-230/3/60, 380/3/50, 380/3/60, or 460/3/60 power only.

[ ] Refrigerant letter. Include price adder for circuiting with 'B' - glycol.

(1) Variable and Dual Speed EC Motor options are BPM motors with KB electronic drives (VFD) in the control panel.

The KB drives can be used for single speed (no signal), Dual Speed (0 or 10 V signal), or Variable Speed (0 thru 10 V signal).

The KB drives cannot be bypassed.

\*\* Four fan SM / SV units for low temperature applications, requires two (2) expansion valves.

Face split is included in the base model price.

Insulated drain pan is standard on electric and gas defrost models.

Select optional insulated drain pan for air defrost models when required.

- Confirm AWEF for refrigerant being applied and select Variable or Dual Speed motor as required.
- Controls for Dual Speed or Variable Speed are not included in unit pricing shown.
- Select from controls options on Unit Cooler Accessories.
- Capacities shown reflect midpoint evaporating temperature.



OPTIONS

HEAT EXCHANGERS

CONDENSING UNIT (HP)	FREEZER (BTU/H)	COOLER (BTU/H)	PACKLESS MODEL	CONNECTION SIZE (IN)		KRACK KIT	LIST PRICE
				LIQUID	SUCTION		
1	6,500	11,300	HXR50	3/8	5/8	HX-2	\$190
1.5	7,500	20,000	HXR75	3/8	7/8	HX-3	\$200
2	10,000	25,000	HXR100	3/8	1-1/8	HX-4	\$220
3	15,000	30,000	HXR150	1/2	1-1/8	HX-5	\$280
5	25,000	65,000	HXR250A	5/8	1-3/8	HX-6	\$350
7.5	32,500	76,000	HXR350A	5/8	1-5/8	HX-7	\$370
10	61,200	90,000	HXR500	7/8	2-1/8	HX-8	\$630
15	73,000	157,000	HX15	7/8	2-1/8	HX-15	\$950
20	93,000	211,200	HX20	1-1/8	2-1/8	HX-20	\$1,020
25	118,000	243,600	HX25	1-1/8	2-5/8	HX-25	\$1,180
30	141,000	322,800	HX30	1-3/8	2-5/8	HX-30	\$1,200
50	240,000	420,000	HX35	1-3/8	2-5/8	HX-35	\$1,250
60	280,000	500,000	HX40	1-3/8	3-1/8	HX-40	\$1,400

HEAT EXCHANGERS (CO<sub>2</sub>)

CONDENSING UNIT (HP)	DOUCETTE MODEL	CONNECTION SIZE (IN)		KRACK KIT	LIST PRICE
		LIQUID	GAS		
1	SLHE1	3/8	5/8	0421621	\$320
1.5	SLHE1.5	3/8	7/8	0421622	\$350
3	SLHE3	1/2	1-1/8	3005766	\$410

These heat exchangers should not be applied in medium temp cooler application where the gas outlet temperature may exceed the incoming liquid temperature.

MECHANICAL VALVES	LIST PRICE	
	LOOSE	MOUNTED
<b>Expansion Valve - Sporlan</b>		
2,000 - 60,000 BTU/H	\$350	\$590
60,001 - 150,000 BTU/H	\$460	\$590
150,000 - 360,000 BTU/H	\$560	\$590
<b>Solenoid Valves - Sporlan (Specify 115 V or 208-230 V Coil)</b>		
2,000 - 40,000 BTU/H	\$280	\$780
40,001 - 200,000 BTU/H	\$360	\$780
200,001 - 300,000 BTU/H	\$500	\$780

MISCELLANEOUS OPTIONS	LIST PRICE
Nema 4X Non-Fused Disconnect Switch Mounted for MK, MV, MS, SM, or SV *	\$650
ALLS - Liquid Stabilizer	\$590
Reheat 4.65KW per Fan (MS, SM) **	\$2,370
Face Split Coil for MS, SM, or SV and Includes Two Distributors (Requires Two TXV's)	\$690
Adjustable Defrost Termination KP-73	\$490
Klixon for Fan Delay	\$200
RT3 Electronic Thermostat - Room Thermostat (Loose) ***	\$330

\* Disconnects are rated for 30A (E151572), 60A (E151867), or 100A (E410438001). Quantity and size of these disconnects varies on power feed location and electrical loads.

\*\* Not available for DOE regulated applications.

\*\*\* Electronic thermostat Ranco ETC111000 (RT3), 120/208-240 V, temperature range -30°F to 220°F.

ELECTRONIC EXPANSION VALVES *	MOUNTED
EEV Only Sporlan Stepper (HFC / HFO / CO <sub>2</sub> )	\$820
EEV Only Danfoss PWM (HFC / HFO / CO <sub>2</sub> )	\$1,340
EEV Only Sporlan PWM (HFC / HFO / CO <sub>2</sub> ) **	\$820
Specify coil voltage for PWM valves (115 V or 208-240 V)	

\* EEV orders require refrigerant conditions, coil TD, controller used, voltage for PWM coil (120 V or 208-240 V), and use for temperature sensors supplied (room temp, termination / coil temp, discharge air, etc.).  
 \*\* Consult Application Engineering for Sporlan PWM availability if required capacity exceeds 45,000 BTU/H (See Sporlan Bulletin 30-30).

EVAPORATOR COIL COATINGS
Heresite coating is available at two times Electrofin price and can be used with electric defrost. Coil coatings typically increase lead times one week for Electrofin and two weeks for Heresite.

NUMBER OF FANS	INSTALLED ELECTRICAL MK / MV	INSTALLED ELECTRICAL MS 208-230 V (ELECTRIC DEFROST ONLY)	INSTALLED ELECTRICAL MS PAN HEATER OR 460 V ELECTRIC DEFROST	INSTALLED ELECTRICAL SM / SV ELECTRIC DEFROST (208-230 V ONLY)	INSTALLED ELECTRICAL SM / SV PAN HEATER or 460 V ELECTRICAL DEFROST	INSTALLED ELECTRICAL NOTES
1	\$230	\$280	\$280	\$570	\$280	1) Kits are to be selected for Single Point Power feed applications when installed contactors and fuses are required for heater and fan control. 2) Installed electrical includes fuses, relay / contactor and single point power feed to the evaporator. 3) If a KE2 Evap OEM board is selected, the board will be wired to the installed relays / contactors. 4) If a KE2 Evap OEM board is NOT selected, the field control voltage must be provided.
2	\$230	\$280	\$280	\$570	\$280	
3	\$280	\$280	\$280	\$570	\$280	
4	\$280	\$570	\$280	\$570	\$280	

\* Ship loose pricing available only with factory orders. Not available with stock shipments.

CO <sub>2</sub> SOLENOID VALVES - SPORLAN (Specify 115 V or 208-230 V Coil)	KRACK KIT	LOOSE	MOUNTED
8,000 - 58,000 BTU/H	3173754 - E2 - HP 3173755 - E5 - HP 3173775 - ME6 - HP	\$300	N/A
58,001 - 140,000 BTU/H	3173757 - ME8 - HP 3173777 - ME9 - HP 3173758 - ME10S1 - HP	\$440	N/A





OPTIONS

DUAL SPEED CONTROL OPTIONS (KR, GL, GH, or LH)		
	LOOSE	MOUNTED
RT3 (Electronic Thermostat for Dual Speed)	\$330	\$550
R24 V Relay (24VAC Low Speed Relay)		\$160
R1B Relay (115VAC Low Speed Relay)		\$160
R2A Relay (230VAC Low Speed Relay)		\$160

DUAL SPEED CONTROL NOTES (KR, GL, GH, or LH)
1) A single RT3 Electronic Thermostat cannot be used for both Dual Speed control and as a room thermostat.
2) The R24V, R1B, and R2A Low Speed Relays are to be controlled by a control signal from a field controller with their respective voltage (24VAC, 115VAC, or 230VAC).

VARIABLE SPEED CONTROL OPTIONS (KR, GL, GH, or LH)		
	LOOSE	MOUNTED
VC4P (JCI System 450 + Temp Sensor)	\$760	\$990

VARIABLE SPEED CONTROL NOTES (KR, GL, GH, or LH)
1) For variable speed control, each unit cooler includes an amplifier to boost the 0-10VDC control signal.
2) VC4P includes a JCI System 450, and Temp Sensor. The JCI System 450 provides a proportional 0-10VDC signal between two temperature set points.

DUAL SPEED CONTROL OPTIONS (MK, MV, MS, SM, or SV)		
	LOOSE	MOUNTED
RT4 (Electronic Thermostat + Low Speed Relay + 10VDC Power Supply)	\$460	\$690
R24P Relay (Low Speed Relay + 10VDC Power Supply)		\$370
PSUP (10VDC Power Supply only)	\$140	\$330

DUAL SPEED CONTROL NOTES (MK, MV, MS, SM, or SV)
1) The 10VDC Power Supply (PSUP) provides 10VDC which enables low speed operation (115 V or 208 V Input).
2) The 10VDC low speed signal can be controlled by either an electronic thermostat and relay (RT4), a relay (R24P) controlled by a field supplied controller, or a field supplied relay and controller (for PSUP only).
3) The R24P low speed relay is available in 24VAC, 115VAC, or 230VAC. Control voltage must be specified.
4) A single electronic thermostat cannot be used for both dual speed control and as a room thermostat.

VARIABLE SPEED CONTROL OPTIONS (MK, MV, MS, SM, or SV)		
	LOOSE	MOUNTED
VC4 includes JCI System 450 + Transformer + Temp Sensor	\$710	
VC4A includes JCI System 450 + Transformer + Temp Sensor (208 V)		\$880
VC4B includes JCI System 450 + Transformer + Temp Sensor (115 V)		\$880

VARIABLE SPEED CONTROL NOTES (MK, MV, MS, SM, or SV)
1) The JCI System 450 provides a proportional 0-10VDC signal between two temperature setpoints.
2) The JCI System 450 is powered by a transformer with an output voltage of 24 V. When mounted, input voltage to the transformer needs specified as 208 V (VC4A) or 115 V (VC4B).
3) The transformer input voltage (VC4A or VC4B) must match the motor voltage for the transformer input to be factory wired.
4) A dual voltage transformer (115 V / 208 V) is supplied with the VC4.

MOUNTED CONTROL OPTIONS		LIST PRICE
Temp Sensor (CPC, Danfoss, MT, KE2)		\$250
Temp Sensor (Novar)		\$340
Pressure Transducer and Superheat Temp Sensor for HFC / HFO.		
- For CPC, Corelink, Dixell XM67x, and Microthermo		\$550
- For Danfoss AK-CC550A or AK-CC750A		\$820
- For KE2 Therm		\$670
Pressure Transducer and Superheat Temp Sensor for CO <sub>2</sub>		
- For Corelink, Dixell XM67x, and Microthermo		\$1,090
- Danfoss AK-CC550A or AK-CC750A		\$990
- RDM CO <sub>2</sub> Xducer and Superheat Temp		\$1,140

MOUNTED CONTROL NOTES
1) Must specify temp sensor application (i.e. Defrost Termination, Coil Temperature, Return Air Temperature, etc.).
2) EEV requires a transducer and superheat sensor (field supplied or mounted).

KE2 THERM OPTIONS		LIST PRICE
<b>INSTALLED ITEMS</b>		
KE2 EvapOEM board installed on MK, MV, MS, SM, and SV evaporators only		\$1,460
Remote Display		\$160
Temp Sensor		\$250
EEV Only Sporlan Stepper (HFC / HFO / CO <sub>2</sub> )		\$820
Transducer and Superheat Temp for HFC		\$670
EEV Only Sporlan PWM (HFC/HFO/CO <sub>2</sub> )		\$2,100
EEV Only Danfoss PWM (HFC/HFO/CO <sub>2</sub> )		\$2,620
KE2 CO <sub>2</sub> Xducer and Superheat Temp		\$1,210
<b>SHIP LOOSE ITEMS</b>		
8 Port Switch		\$490
16 Port Switch		\$990
Edge Manager Plus		\$1,380
Wi-Fi Service Tool		\$860

KE2 THERM NOTES
1) Must specify temp sensor application (i.e. Defrost Termination, Coil Temperature, Return Air Temperature, etc.).
2) EEV requires a transducer and superheat sensor (field supplied or mounted).

\* Reference wiring diagrams in technical bulletins and IO manuals for examples of controls.



SMALL EVAPORATORS

DOE Evaporator Summary Matrix for Small Evaporators

	KR		LH		GH / GL	
	DUAL SPEED MOTORS	VARIABLE SPEED MOTORS	DUAL SPEED MOTORS	VARIABLE SPEED MOTORS	DUAL SPEED MOTORS	VARIABLE SPEED MOTORS
<b>DEFROST TYPE</b>						
<b>Air</b>						
Glide Refrigerants*	X	X	X	X	X	X
Non-Glide Refrigerants**	X	X	-	X	X (Except GL*56A and GL*14A)	X
<b>CO2</b>						
Coolers	X	X	-	X	X	X
Freezers	-	-	-	-	-	-
<b>Electric</b>						
<b>Glide Refrigerants*</b>						
Coolers	X	X	X (Except LH*44E)	X	X	X
Freezers	X	X	X (Except LH*44E)	X	-	-
<b>Non-Glide Refrigerants**</b>						
Coolers	-	X	-	X	X (Except GL*56D and GL*14D)	X
Freezers	-	X	-	X	-	-
<b>CO2</b>						
Coolers	X	X	-	X	X	X
Freezers	X	X	X (Except LH*44E-132)	X	X	X
<b>Hot Gas</b>						
<b>Glide Refrigerants*</b>						
Coolers	X	X	-	-	X	X
Freezers	X	X	-	-	-	-
<b>Non-Glide Refrigerants**</b>						
Coolers	-	X	-	-	X (Except GL*56( ) and GL*14( ))	X
Freezers	-	X	-	-	-	-
<b>VOLTAGES / PHASE (All 60 HZ)</b>						
115/1	X	X	X	X	X	X
208-230/1	X	X	X	X	X	X
208-230/3	X	X	X	X	X	X
460/1	-	-	-	-	-	-
460/3	-	-	-	-	-	-
575/3	-	-	-	-	-	-
<b>FAN CONTROLS</b>						
RT-3*** - T-Stat	X <sup>1</sup>	-	X <sup>1</sup>	-	X <sup>1</sup>	-
RT-4*** - T-Stat with 0 to 10 V Power Supply	-	-	-	-	-	-
R24V - Relay If Remote Board	X <sup>1</sup>	-	X <sup>1</sup>	-	X <sup>1</sup>	-
R24P**** - Relay If Remote Board	-	-	-	-	-	-
VC4P - JC450 plus Amplifier	-	X <sup>1</sup>	-	X <sup>1</sup>	-	X <sup>1</sup>
AMP1***** - Amplifier for Remote Controller	-	X <sup>1</sup>	-	X <sup>1</sup>	-	X <sup>1</sup>
VC4 - JC450 Loose	-	-	-	-	-	-
VC4A, VC4B - JC450 Mounted with Transformer	-	-	-	-	-	-
KE2 Therm	-	-	-	-	-	-
<b>Expansion Valves</b>						
TEV	-	-	-	-	-	-
Sporlan Stepper Valve	-	-	-	-	-	-
<b>Control Boards</b>						
KE2 OEM Board	-	-	-	-	-	-
<b>Sensors</b>						
Air Defrost - 3 Temp Sensors (1 Room, 2 Coils)	-	-	-	-	-	-
Positive Defrost - 3 Temp Sensors (1 Room, 2 Coils)	-	-	-	-	-	-
<b>Options</b>						
Remote Display (Stays within Six Feet of Board)	-	-	-	-	-	-
Edge Manager (for Remote Wifi Access and Data Logging)	-	-	-	-	-	-
8 or 16 Port Switch (Inter-Connecting Multiple Boards)	-	-	-	-	-	-

\* Glide Refrigerants (R-407A, R-407F, R-448A, R-449A, refer to I/O Manual for others). Models in tables with "\*" are not tied to this note.  
 \*\* Non-Glide Refrigerants (R-404A, R-507A, refer to I/O Manual for others)  
 \*\*\* Room T-Stat needs to be separate from T-Stat Controlling Motors  
 \*\*\*\* Includes 10 V Power Supply for Driving Fans to Low Speed  
 \*\*\*\*\* Amplifier Works with a Maximum of Six Motors  
<sup>1</sup> Only One Control may be selected





LARGE EVAPORATORS

	MK / MV		MS		SM / SV	
	DUAL SPEED MOTORS	VARIABLE SPEED MOTORS	DUAL SPEED MOTORS	VARIABLE SPEED MOTORS	DUAL SPEED MOTORS	VARIABLE SPEED MOTORS
<b>DEFROST TYPE</b>						
<b>Air</b>						
Glide Refrigerants*	X	X	-	X	X (Except SM*14A, SM*24A, SM*26A-0746, SM*27A-0811, SM*34A-1123 and 1243, SM*36A-1289, SM*37A-1402, SM*44A-1532 and 1829, SM*46A-1846)	X
Non-Glide Refrigerants**	X (Except MK*18A-133, MK*28A-266, MK*16A-118, MK*26A-236 and 290, MK*14A-94 and 121, MK*24A-188 and 242)	X	-	X	X (Units Available: SM*16A-0538 and 604, SM*17A-0585 and 0657, SM*27A-1296, and SM*47A-2581)	X
<b>CO<sub>2</sub></b>						
Coolers	X	X	N/A	N/A	N/A	N/A
Freezers	-	-	N/A	N/A	N/A	N/A
<b>Electric</b>						
<b>Glide Refrigerants*</b>						
Coolers	X	X (Except ALL MV Models)	-	X	X (Except SM*14E-0384, SM*24E-0759, SM*34E-1070, SM*36E-1225, SM*46E-1754)	X
Freezers	X (Except ALL MV Models)	X (Except All MV Models)	-	X	X (Except ALL SV Models)	X
<b>Non-Glide Refrigerants**</b>						
Coolers	-	X (Except All MV Models)	-	X	-	X
Freezers	-	X (Except All MV Models)	-	X	-	X
<b>CO<sub>2</sub></b>						
Coolers	X	X	N/A	N/A	N/A	N/A
Freezers	X	X	N/A	N/A	N/A	N/A
<b>Hot Gas</b>						
<b>Glide Refrigerants*</b>						
Coolers	X (Except ALL MV Models)	X (Except ALL MV Models)	-	X	X (Except SM*14( )-0384, SM*24( )-0759, SM*34( )-1070, SM*36( )-1225, SM*46( )-1754)	X
Freezers	X (Except ALL MV Models)	X (Except ALL MV Models)	-	X	X	X
<b>Non-Glide Refrigerants**</b>						
Coolers	-	X (Except ALL MV Models)	-	X	-	X
Freezers	-	X (Except ALL MV Models)	-	X	-	X
<b>VOLTAGES / PHASE (All 60 HZ)</b>						
115/1	X	X	X	X	-	-
208-230/1	X	X	X	X	-	-
208-230/3	X <sup>2</sup>	X <sup>2</sup>	X <sup>2</sup>	X <sup>2</sup>	X	X
460/1	-	-	-	-	-	-
460/3	-	-	-	-	X	X
575/3	-	-	-	-	-	-
<b>FAN CONTROLS</b>						
RT-3*** - T-Stat	-	-	-	-	-	-
RT-4*** - T-Stat with 0 to 10 V Power Supply	X <sup>1</sup>	-	X <sup>1</sup>	-	X <sup>1</sup>	-
R24V - Relay If Remote Board	-	-	-	-	-	-
R24P**** - Relay If Remote Board	X <sup>1</sup>	-	X <sup>1</sup>	-	X <sup>1</sup>	-
VC4P - JC450 plus Amplifier	-	-	-	-	-	-
AMP1***** - Amplifier for Remote Controller	-	-	-	-	-	-
VC4 - JC450 Loose	-	X <sup>1</sup>	-	X <sup>1</sup>	-	X <sup>1</sup>
VC4A, VC4B - JC450 Mounted with Transformer	-	X <sup>1</sup>	-	X <sup>1</sup>	-	X <sup>1</sup>
KE2 Therm	-	X <sup>1</sup>	-	X <sup>1</sup>	-	X <sup>1</sup>
<b>Expansion Valves</b>						
TEV	-	X <sup>3</sup>	-	X <sup>3</sup>	-	X <sup>3</sup>
Sporlan Stepper Valve	-	X <sup>3</sup>	-	X <sup>3</sup>	-	X <sup>3</sup>
<b>Control Boards</b>						
KE2 OEM Board	-	X	-	X	-	X
<b>Sensors</b>						
Air Defrost - 3 Temp Sensors (1 Room, 2 Coils)	-	X <sup>4</sup>	-	X <sup>4</sup>	-	X <sup>4</sup>
Positive Defrost - 3 Temp Sensors (1 Room, 2 Coils)	-	X <sup>4</sup>	-	X <sup>4</sup>	-	X <sup>4</sup>
<b>Options</b>						
Remote Display (Stays within Six Feet of Board)	-	X <sup>5</sup>	-	X <sup>5</sup>	-	X <sup>5</sup>
Edge Manager (for Remote Wifi Access and Data Logging)	-	X <sup>5</sup>	-	X <sup>5</sup>	-	X <sup>5</sup>
8 or 16 Port Switch (Inter-Connecting Multiple Boards)	-	X <sup>5</sup>	-	X <sup>5</sup>	-	X <sup>5</sup>

\* Glide Refrigerants (R-407A, R-407F, R-448A, R-449A, refer to I/O Manual for others). Models in tables with '\*' are not tied to this note.  
 \*\* Non-Glide Refrigerants (R-404A, R-507A, refer to I/O Manual for others)  
 \*\*\* Room T-Stat needs to be separate from T-Stat Controlling Motors  
 \*\*\*\* Includes 10 V Power Supply for Driving Fans to Low Speed  
 \*\*\*\*\* Amplifier Works with a Maximum of Six Motors

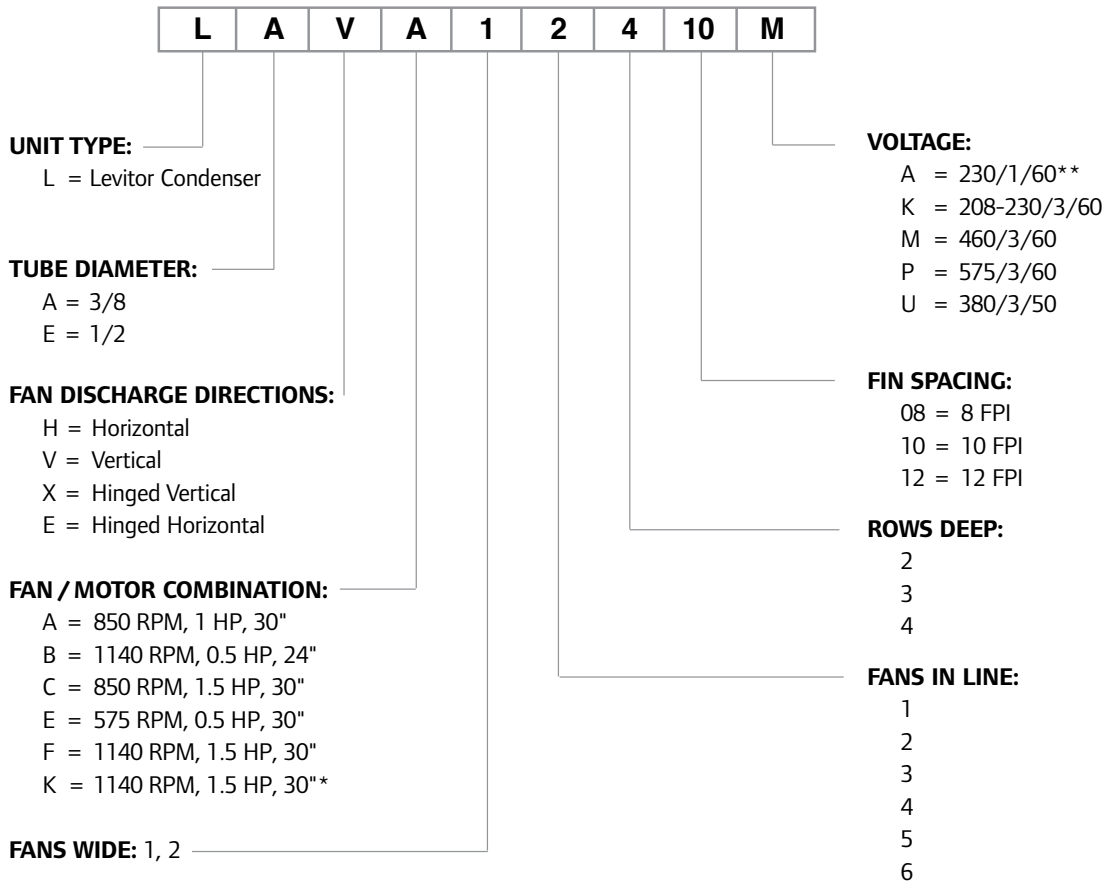
<sup>1</sup> Only One Control may be selected  
<sup>2</sup> Only on Multiple Fan Units wired for three phase operation  
<sup>3</sup> Choose Only One Type of Expansion Valve  
<sup>4</sup> Choose Only One based upon either Air or Positive Defrost  
<sup>5</sup> Requirements More than One Option can be chosen



# LEVITOR II PRODUCT DESCRIPTION - CONDENSERS

Version: **September 2023**

## LEVITOR II MODEL KEY



\* *K Vspeed Variable Speed BPM (brushless permanent magnet motors) and panel mounted electronic drive are 208-240/3/60, 380/3/50, 380/3/60, and 460/3/60. Gravity dampers should not be used with K motor applications.*

\*\* *LAVB only.*

*See Tech Bulletin for Title 24 compliant models.*



# LEVITOR II PRODUCT DESCRIPTION - AIR-COOLED CONDENSERS

Version: September 2023

## LEVITOR II MODEL - LAVB

### LAVB - 0.5 HP, 1140 RPM, 24" FAN

ONE FAN WIDE MODELS	LIST PRICE	DIMENSIONS (IN)			SHIP WGT (LBS)
		L	W	H*	
LAVB 11208	\$4,950	39.00	45.75	41.25	178
LAVB 11210	\$5,100	39.00	45.75	41.25	181
LAVB 11212	\$5,370	39.00	45.75	41.25	184
LAVB 11308	\$5,260	39.00	45.75	41.25	180
LAVB 11310	\$5,430	39.00	45.75	41.25	185
LAVB 11312	\$5,700	39.00	45.75	41.25	190
LAVB 11408	\$5,590	39.00	45.75	41.25	193
LAVB 11410	\$5,780	39.00	45.75	41.25	200
LAVB 11412	\$6,060	39.00	45.75	41.25	207
LAVB 12208	\$6,900	75.00	45.75	41.25	346
LAVB 12210	\$7,120	75.00	45.75	41.25	352
LAVB 12212	\$7,480	75.00	45.75	41.25	358
LAVB 12308	\$8,380	75.00	45.75	41.25	362
LAVB 12310	\$8,640	75.00	45.75	41.25	372
LAVB 12312	\$9,070	75.00	45.75	41.25	382
LAVB 12408	\$9,450	75.00	45.75	41.25	386
LAVB 12410	\$9,740	75.00	45.75	41.25	400
LAVB 12412	\$10,230	75.00	45.75	41.25	413
LAVB 13308	\$10,200	111.00	45.75	41.25	544
LAVB 13310	\$10,520	111.00	45.75	41.25	559
LAVB 13312	\$11,040	111.00	45.75	41.25	574
LAVB 13408	\$12,830	111.00	45.75	41.25	580
LAVB 13410	\$13,220	111.00	45.75	41.25	600
LAVB 13412	\$13,890	111.00	45.75	41.25	620
LAVB 14308	\$14,790	147.00	45.75	41.25	820
LAVB 14310	\$15,250	147.00	45.75	41.25	840
LAVB 14312	\$16,020	147.00	45.75	41.25	860
LAVB 14408	\$15,120	147.00	45.75	41.25	873
LAVB 14410	\$15,580	147.00	45.75	41.25	900
LAVB 14412	\$16,370	147.00	45.75	41.25	927
LAVB 15308	\$17,910	183.00	45.75	41.25	836
LAVB 15310	\$18,470	183.00	45.75	41.25	861
LAVB 15312	\$19,390	183.00	45.75	41.25	886
LAVB 15408	\$20,040	183.00	45.75	41.25	917
LAVB 15410	\$20,660	183.00	45.75	41.25	950
LAVB 15412	\$21,690	183.00	45.75	41.25	983
LAVB 16308	\$20,130	219.00	45.75	41.25	1,040
LAVB 16310	\$20,750	219.00	45.75	41.25	1,070
LAVB 16312	\$21,790	219.00	45.75	41.25	1,100
LAVB 16408	\$23,330	219.00	45.75	41.25	1,110
LAVB 16410	\$24,050	219.00	45.75	41.25	1,150
LAVB 16412	\$25,260	219.00	45.75	41.25	1,190
LAVB 17308	\$24,310	262.00	45.75	41.25	1,314
LAVB 17310	\$25,060	262.00	45.75	41.25	1,349
LAVB 17312	\$26,300	262.00	45.75	41.25	1,384
LAVB 17408	\$28,610	262.00	45.75	41.25	1,404
LAVB 17410	\$29,480	262.00	45.75	41.25	1,450
LAVB 17412	\$30,960	262.00	45.75	41.25	1,497

TWO FAN WIDE MODELS	LIST PRICE	DIMENSIONS (IN)			SHIP WGT (LBS)
		L	W	H**	
-	-	-	-	-	-
-	-	-	-	-	-
-	-	-	-	-	-
-	-	-	-	-	-
-	-	-	-	-	-
-	-	-	-	-	-
-	-	-	-	-	-
-	-	-	-	-	-
-	-	-	-	-	-
-	-	-	-	-	-
-	-	-	-	-	-
-	-	-	-	-	-
-	-	-	-	-	-
LAVB 22208	\$13,740	75.00	87.63	41.25	642
LAVB 22210	\$14,160	75.00	87.63	41.25	654
LAVB 22212	\$14,870	75.00	87.63	41.25	666
LAVB 22308	\$16,680	75.00	87.63	41.25	845
LAVB 22310	\$17,190	75.00	87.63	41.25	865
LAVB 22312	\$18,050	75.00	87.63	41.25	885
LAVB 22408	\$18,800	75.00	87.63	41.25	895
LAVB 22410	\$19,370	75.00	87.63	41.25	925
LAVB 22412	\$20,350	75.00	87.63	41.25	953
LAVB 23308	\$20,280	111.00	87.63	41.25	1,088
LAVB 23310	\$20,910	111.00	87.63	41.25	1,118
LAVB 23312	\$21,950	111.00	87.63	41.25	1,148
LAVB 23408	\$25,500	111.00	87.63	41.25	1,185
LAVB 23410	\$26,280	111.00	87.63	41.25	1,225
LAVB 23412	\$27,620	111.00	87.63	41.25	1,265
LAVB 24308	\$29,430	147.00	87.63	41.25	1,665
LAVB 24310	\$30,330	147.00	87.63	41.25	1,705
LAVB 24312	\$31,870	147.00	87.63	41.25	1,745
LAVB 24408	\$30,070	147.00	87.63	41.25	1,771
LAVB 24410	\$31,010	147.00	87.63	41.25	1,825
LAVB 24412	\$32,560	147.00	87.63	41.25	1,880
LAVB 25308	\$35,640	183.00	87.63	41.25	1,672
LAVB 25310	\$36,740	183.00	87.63	41.25	1,722
LAVB 25312	\$38,570	183.00	87.63	41.25	1,772
LAVB 25408	\$39,870	183.00	87.63	41.25	1,859
LAVB 25410	\$41,110	183.00	87.63	41.25	1,925
LAVB 25412	\$43,170	183.00	87.63	41.25	1,991
LAVB 26308	\$40,060	219.00	87.63	41.25	2,035
LAVB 26310	\$41,290	219.00	87.63	41.25	2,095
LAVB 26312	\$43,350	219.00	87.63	41.25	2,155
LAVB 26408	\$46,420	219.00	87.63	41.25	2,145
LAVB 26410	\$47,850	219.00	87.63	41.25	2,225
LAVB 26412	\$50,250	219.00	87.63	41.25	2,305
LAVB 27308	\$48,370	255.00	87.63	41.25	2,655
LAVB 27310	\$49,860	255.00	87.63	41.25	2,725
LAVB 27312	\$52,360	255.00	87.63	41.25	2,795
LAVB 27408	\$56,910	255.00	87.63	41.25	2,835
LAVB 27410	\$58,670	255.00	87.63	41.25	2,925
LAVB 27412	\$61,610	255.00	87.63	41.25	3,015

\* Height includes 18 inch legs.

Prices for Horizontal and Vertical Air Flow are the same with nomenclature changing from 'LAVB' to 'LAHB'.



**LEVITOR II PRODUCT DESCRIPTION -  
AIR-COOLED CONDENSERS**

Version: **September 2023**

**LEVITOR II MODEL - LAVB**

**COATING AND SPECIAL FIN OPTION PRICING (LAVB ONLY)**

ONE FAN WIDE MODELS	ELECTROFIN COATED COIL	POLYESTER FIN COATING	COPPER FIN	TWO FAN WIDE MODELS	ELECTROFIN COATED COIL	POLYESTER FIN COATING	COPPER FIN
LAVB 11208	\$930	\$760	\$1,820				
LAVB 11210	\$930	\$780	\$1,880				
LAVB 11212	\$930	\$800	\$1,930				
LAVB 11308	\$1,040	\$830	\$1,920				
LAVB 11310	\$1,040	\$860	\$1,980				
LAVB 11312	\$1,040	\$880	\$2,050				
LAVB 11408	\$1,070	\$870	\$2,060				
LAVB 11410	\$1,070	\$890	\$2,120				
LAVB 11412	\$1,070	\$920	\$2,170				
LAVB 12208	\$1,280	\$1,040	\$2,550	LAVB 22208	\$2,580	\$2,090	\$5,030
LAVB 12210	\$1,280	\$1,070	\$2,630	LAVB 22210	\$2,580	\$2,150	\$5,190
LAVB 12212	\$1,280	\$1,110	\$2,710	LAVB 22212	\$2,580	\$2,220	\$5,340
LAVB 12308	\$1,560	\$1,260	\$3,070	LAVB 22308	\$3,120	\$2,520	\$6,120
LAVB 12310	\$1,560	\$1,300	\$3,170	LAVB 22310	\$3,120	\$2,600	\$6,310
LAVB 12312	\$1,560	\$1,340	\$3,260	LAVB 22312	\$3,120	\$2,680	\$6,500
LAVB 12408	\$1,760	\$1,430	\$3,470	LAVB 22408	\$3,530	\$2,850	\$6,900
LAVB 12410	\$1,760	\$1,470	\$3,570	LAVB 22410	\$3,530	\$2,940	\$7,110
LAVB 12412	\$1,760	\$1,520	\$3,680	LAVB 22412	\$3,530	\$3,020	\$7,330
LAVB 13308	\$1,910	\$1,550	\$3,760	LAVB 23308	\$3,820	\$3,090	\$7,430
LAVB 13310	\$1,910	\$1,600	\$3,860	LAVB 23310	\$3,820	\$3,190	\$7,670
LAVB 13312	\$1,910	\$1,640	\$3,980	LAVB 23312	\$3,820	\$3,280	\$7,900
LAVB 13408	\$2,390	\$1,930	\$4,700	LAVB 23408	\$4,800	\$3,890	\$9,360
LAVB 13410	\$2,390	\$2,000	\$4,850	LAVB 23410	\$4,800	\$4,000	\$9,640
LAVB 13412	\$2,390	\$2,060	\$5,000	LAVB 23412	\$4,800	\$4,130	\$9,930
LAVB 14308	\$2,860	\$2,230	\$5,420	LAVB 24308	\$5,500	\$4,450	\$10,780
LAVB 14310	\$2,860	\$2,290	\$5,580	LAVB 24310	\$5,500	\$4,590	\$11,120
LAVB 14312	\$2,860	\$2,360	\$5,750	LAVB 24312	\$5,500	\$4,740	\$11,460
LAVB 14408	\$2,800	\$2,270	\$5,550	LAVB 24408	\$5,610	\$4,540	\$11,030
LAVB 14410	\$2,800	\$2,340	\$5,720	LAVB 24410	\$5,610	\$4,670	\$11,360
LAVB 14412	\$2,800	\$2,400	\$5,900	LAVB 24412	\$5,610	\$4,820	\$11,710
LAVB 15308	\$3,340	\$2,700	\$6,570	LAVB 25308	\$6,670	\$5,400	\$13,060
LAVB 15310	\$3,340	\$2,780	\$6,770	LAVB 25310	\$6,670	\$5,550	\$13,460
LAVB 15312	\$3,340	\$2,860	\$6,970	LAVB 25312	\$6,670	\$5,730	\$13,870
LAVB 15408	\$3,740	\$3,010	\$7,350	LAVB 25408	\$7,460	\$6,040	\$14,620
LAVB 15410	\$3,740	\$3,110	\$7,570	LAVB 25410	\$7,460	\$6,220	\$15,070
LAVB 15412	\$3,740	\$3,200	\$7,800	LAVB 25412	\$7,460	\$6,410	\$15,520
LAVB 16308	\$3,750	\$3,020	\$7,380	LAVB 26308	\$7,490	\$6,060	\$14,670
LAVB 16310	\$3,750	\$3,120	\$7,610	LAVB 26310	\$7,490	\$6,240	\$15,120
LAVB 16312	\$3,750	\$3,210	\$7,830	LAVB 26312	\$7,490	\$6,430	\$15,580
LAVB 16408	\$4,340	\$3,510	\$8,560	LAVB 26408	\$8,670	\$7,010	\$17,010
LAVB 16410	\$4,340	\$3,610	\$8,820	LAVB 26410	\$8,670	\$7,220	\$17,520
LAVB 16412	\$4,340	\$3,730	\$9,090	LAVB 26412	\$8,670	\$7,440	\$18,060
LAVB 17308	\$4,540	\$3,660	\$8,900	LAVB 27308	\$9,050	\$7,330	\$17,720
LAVB 17310	\$4,540	\$3,780	\$9,180	LAVB 27310	\$9,050	\$7,550	\$18,280
LAVB 17312	\$4,540	\$3,900	\$9,450	LAVB 27312	\$9,050	\$7,780	\$18,830
LAVB 17408	\$5,320	\$4,310	\$10,500	LAVB 27408	\$10,630	\$8,590	\$20,850
LAVB 17410	\$5,320	\$4,430	\$10,820	LAVB 27410	\$10,630	\$8,850	\$21,500
LAVB 17412	\$5,320	\$4,570	\$11,140	LAVB 27412	\$10,630	\$9,140	\$22,140

\* Polyester fin coating is a vinyl coated fin material.



**LEVITOR II PRODUCT DESCRIPTION -  
AIR-COOLED CONDENSERS**

Version: **September 2023**

**LEVITOR II MODEL - LAV**

**LEVITOR II MODELS LAV (A, C, E, or F) (NOT LAVB or LAVK)**

ONE FAN WIDE MODELS	LIST PRICE	DIMENSIONS (IN)			SHIP WGT (LBS)
		L	W	H**	
LAV* 11208	\$6,790	58.00	45.25	54.00	437
LAV* 11210	\$6,860	58.00	45.25	54.00	439
LAV* 11212	\$6,950	58.00	45.25	54.00	444
LAV* 11308	\$7,350	58.00	45.25	54.00	466
LAV* 11310	\$7,430	58.00	45.25	54.00	469
LAV* 11312	\$7,520	58.00	45.25	54.00	478
LAV* 11408	\$7,610	58.00	45.25	54.00	495
LAV* 11410	\$7,690	58.00	45.25	54.00	499
LAV* 11412	\$7,770	58.00	45.25	54.00	508
LAV* 12208	\$9,660	112.00	45.25	54.00	718
LAV* 12210	\$9,830	112.00	45.25	54.00	721
LAV* 12212	\$10,010	112.00	45.25	54.00	729
LAV* 12308	\$10,340	112.00	45.25	54.00	773
LAV* 12310	\$10,560	112.00	45.25	54.00	779
LAV* 12312	\$10,970	112.00	45.25	54.00	792
LAV* 12408	\$12,900	112.00	45.25	54.00	830
LAV* 12410	\$13,450	112.00	45.25	54.00	838
LAV* 12412	\$13,980	112.00	45.25	54.00	855
LAV* 13210	\$14,740	166.00	45.25	54.00	1,041
LAV* 13212	\$15,080	166.00	45.25	54.00	1,060
LAV* 13308	\$15,410	166.00	45.25	54.00	1,126
LAV* 13310	\$15,750	166.00	45.25	54.00	1,135
LAV* 13312	\$16,290	166.00	45.25	54.00	1,153
LAV* 13408	\$18,350	166.00	45.25	54.00	1,210
LAV* 13410	\$19,090	166.00	45.25	54.00	1,223
LAV* 13412	\$19,860	166.00	45.25	54.00	1,247
LAV* 14308	\$20,660	220.00	45.25	54.00	1,437
LAV* 14310	\$20,840	220.00	45.25	54.00	1,449
LAV* 14312	\$21,670	220.00	45.25	54.00	1,474
LAV* 14408	\$24,480	220.00	45.25	54.00	1,550
LAV* 14410	\$25,100	220.00	45.25	54.00	1,566
LAV* 14412	\$26,420	220.00	45.25	54.00	1,599
LAV* 15308	\$29,360	274.00	45.25	58.50	2,020
LAV* 15310	\$29,780	274.00	45.25	58.50	2,035
LAV* 15312	\$30,210	274.00	45.25	58.50	2,066
LAV* 15408	\$30,610	274.00	45.25	58.50	2,160
LAV* 15410	\$31,900	274.00	45.25	58.50	2,181
LAV* 15412	\$33,190	274.00	45.25	58.50	2,222
LEV* 16308	\$34,430	328.00	45.25	58.50	2,554
LEV* 16310	\$34,930	328.00	45.25	58.50	2,573
LEV* 16312	\$35,450	328.00	45.25	58.50	2,610
LEV* 16408	\$35,950	328.00	45.25	58.50	2,784
LEV* 16410	\$36,480	328.00	45.25	58.50	2,808
LEV* 16412	\$36,960	328.00	45.25	58.50	2,858
LEV* 17308	\$40,990	382.00	45.25	58.50	3,020
LEV* 17310	\$41,590	382.00	45.25	58.50	3,042
LEV* 17312	\$42,170	382.00	45.25	58.50	3,088
LEV* 17408	\$42,760	382.00	45.25	58.50	3,279
LEV* 17410	\$43,370	382.00	45.25	58.50	3,307
LEV* 17412	\$43,970	382.00	45.25	58.50	3,366

TWO FAN WIDE MODELS	LIST PRICE	DIMENSIONS (IN)			SHIP WGT (LBS)
		L	W	H**	
-	-	-	-	-	-
-	-	-	-	-	-
-	-	-	-	-	-
-	-	-	-	-	-
-	-	-	-	-	-
-	-	-	-	-	-
-	-	-	-	-	-
-	-	-	-	-	-
-	-	-	-	-	-
-	-	-	-	-	-
LAV* 22208	\$19,220	112.00	90.50	54.00	1,311
LAV* 22210	\$19,560	112.00	90.50	54.00	1,320
LAV* 22212	\$19,900	112.00	90.50	54.00	1,336
LAV* 22308	\$20,560	112.00	90.50	54.00	1,437
LAV* 22310	\$20,990	112.00	90.50	54.00	1,425
LAV* 22312	\$21,830	112.00	90.50	54.00	1,462
LAV* 22408	\$25,660	112.00	90.50	54.00	1,539
LAV* 22410	\$26,750	112.00	90.50	54.00	1,555
LAV* 22412	\$27,800	112.00	90.50	54.00	1,588
LAV* 23210	\$29,320	166.00	90.50	54.00	1,875
LAV* 23212	\$30,000	166.00	90.50	54.00	1,912
LAV* 23308	\$30,660	166.00	90.50	54.00	2,044
LAV* 23310	\$31,310	166.00	90.50	54.00	2,063
LAV* 23312	\$32,410	166.00	90.50	54.00	2,100
LAV* 23408	\$37,030	166.00	90.50	54.00	2,214
LAV* 23410	\$37,990	166.00	90.50	54.00	2,238
LAV* 23412	\$39,500	166.00	90.50	54.00	2,287
LAV* 24308	\$41,110	220.00	90.50	54.00	2,526
LAV* 24310	\$41,480	220.00	90.50	54.00	2,651
LAV* 24312	\$43,090	220.00	90.50	54.00	2,700
LAV* 24408	\$48,680	220.00	90.50	54.00	2,851
LAV* 24410	\$49,910	220.00	90.50	54.00	2,884
LAV* 24412	\$52,540	220.00	90.50	54.00	2,950
LAV* 25308	\$58,390	274.00	90.50	58.50	3,725
LAV* 25310	\$59,240	274.00	90.50	58.50	3,755
LAV* 25312	\$60,080	274.00	90.50	58.50	3,817
LAV* 25408	\$60,900	274.00	90.50	58.50	4,005
LAV* 25410	\$63,430	274.00	90.50	58.50	4,046
LAV* 25412	\$66,010	274.00	90.50	58.50	4,129
LEV* 26308	\$68,510	328.00	90.50	58.50	4,759
LEV* 26310	\$69,510	328.00	90.50	58.50	4,796
LEV* 26312	\$70,520	328.00	90.50	58.50	4,870
LEV* 26408	\$71,550	328.00	90.50	58.50	5,218
LEV* 26410	\$72,560	328.00	90.50	58.50	5,268
LEV* 26412	\$73,550	328.00	90.50	58.50	5,366
LEV* 27308	\$80,450	382.00	90.50	58.50	5,757
LEV* 27310	\$81,620	382.00	90.50	58.50	5,794
LEV* 27312	\$83,980	382.00	90.50	58.50	5,868
LEV* 27408	\$85,130	382.00	90.50	58.50	6,216
LEV* 27410	\$86,340	382.00	90.50	58.50	6,266
LEV* 27412	\$87,570	382.00	90.50	58.50	6,364

\* A, C, E, F or K to specify fan speed and type.

\*\* Height includes 22 inch legs.

Prices for Horizontal and Vertical Air Flow are the same with nomenclature changing from 'LAV' to 'LAH'.



# LEVITOR II PRODUCT DESCRIPTION - AIR-COOLED CONDENSERS

Version: **September 2023**

## LEVITOR II MODEL - LAVK

### LEVITOR II MODELS LAVK / LEVK (1.5 HP, 1140 RPM, BPM MOTOR AND PANEL MOUNTED DRIVE)

ONE FAN WIDE MODELS	LIST PRICE	DIMENSIONS (IN)			SHIP WGT (LBS)	TWO FAN WIDE MODELS	LIST PRICE	DIMENSIONS (IN)			SHIP WGT (LBS)
		L	W	H *				L	W	H **	
LAVK 11208	\$9,300	58.00	45.25	54.00	437	-	-	-	-	-	-
LAVK 11210	\$9,390	58.00	45.25	54.00	439	-	-	-	-	-	-
LAVK 11212	\$9,490	58.00	45.25	54.00	444	-	-	-	-	-	-
LAVK 11308	\$9,880	58.00	45.25	54.00	466	-	-	-	-	-	-
LAVK 11310	\$9,980	58.00	45.25	54.00	469	-	-	-	-	-	-
LAVK 11312	\$10,050	58.00	45.25	54.00	478	-	-	-	-	-	-
LAVK 11408	\$10,140	58.00	45.25	54.00	495	-	-	-	-	-	-
LAVK 11410	\$10,220	58.00	45.25	54.00	499	-	-	-	-	-	-
LAVK 11412	\$10,310	58.00	45.25	54.00	508	-	-	-	-	-	-
LAVK 12208	\$13,870	112.00	45.25	54.00	718	LAVK 22208	\$26,990	112.00	90.50	54.00	1,311
LAVK 12210	\$14,030	112.00	45.25	54.00	721	LAVK 22210	\$27,320	112.00	90.50	54.00	1,320
LAVK 12212	\$14,210	112.00	45.25	54.00	729	LAVK 22212	\$27,660	112.00	90.50	54.00	1,336
LAVK 12308	\$14,540	112.00	45.25	54.00	773	LAVK 22308	\$28,330	112.00	90.50	54.00	1,437
LAVK 12310	\$14,760	112.00	45.25	54.00	779	LAVK 22310	\$28,750	112.00	90.50	54.00	1,425
LAVK 12312	\$15,180	112.00	45.25	54.00	792	LAVK 22312	\$29,590	112.00	90.50	54.00	1,462
LAVK 12408	\$17,120	112.00	45.25	54.00	830	LAVK 22408	\$33,420	112.00	90.50	54.00	1,539
LAVK 12410	\$17,660	112.00	45.25	54.00	838	LAVK 22410	\$34,510	112.00	90.50	54.00	1,555
LAVK 12412	\$18,190	112.00	45.25	54.00	855	LAVK 22412	\$35,560	112.00	90.50	54.00	1,588
LAVK 13210	\$20,620	166.00	45.25	54.00	1,041	LAVK 23210	\$41,150	166.00	90.50	54.00	1,875
LAVK 13212	\$20,960	166.00	45.25	54.00	1,060	LAVK 23212	\$41,820	166.00	90.50	54.00	1,912
LAVK 13308	\$21,290	166.00	45.25	54.00	1,126	LAVK 23308	\$42,490	166.00	90.50	54.00	2,044
LAVK 13310	\$21,620	166.00	45.25	54.00	1,135	LAVK 23310	\$43,130	166.00	90.50	54.00	2,063
LAVK 13312	\$22,160	166.00	45.25	54.00	1,153	LAVK 23312	\$44,240	166.00	90.50	54.00	2,100
LAVK 13408	\$24,230	166.00	45.25	54.00	1,210	LAVK 23408	\$48,860	166.00	90.50	54.00	2,214
LAVK 13410	\$24,960	166.00	45.25	54.00	1,223	LAVK 23410	\$49,810	166.00	90.50	54.00	2,238
LAVK 13412	\$25,730	166.00	45.25	54.00	1,247	LAVK 23412	\$51,320	166.00	90.50	54.00	2,287
LAVK 14308	\$28,420	220.00	45.25	54.00	1,437	LAVK 24308	\$55,890	220.00	90.50	54.00	2,526
LAVK 14310	\$28,610	220.00	45.25	54.00	1,449	LAVK 24310	\$56,260	220.00	90.50	54.00	2,651
LAVK 14312	\$29,440	220.00	45.25	54.00	1,474	LAVK 24312	\$57,880	220.00	90.50	54.00	2,700
LAVK 14408	\$32,240	220.00	45.25	54.00	1,550	LAVK 24408	\$63,460	220.00	90.50	54.00	2,851
LAVK 14410	\$32,850	220.00	45.25	54.00	1,566	LAVK 24410	\$64,690	220.00	90.50	54.00	2,884
LAVK 14412	\$34,180	220.00	45.25	54.00	1,599	LAVK 24412	\$67,340	220.00	90.50	54.00	2,950
LAVK 15308	\$39,510	274.00	45.25	58.50	2,020	LAVK 25308	\$76,130	274.00	90.50	58.50	3,725
LAVK 15310	\$39,930	274.00	45.25	58.50	2,035	LAVK 25310	\$76,980	274.00	90.50	58.50	3,755
LAVK 15312	\$40,360	274.00	45.25	58.50	2,066	LAVK 25312	\$77,820	274.00	90.50	58.50	3,817
LAVK 15408	\$40,760	274.00	45.25	58.50	2,160	LAVK 25408	\$78,630	274.00	90.50	58.50	4,005
LAVK 15410	\$42,050	274.00	45.25	58.50	2,181	LAVK 25410	\$81,170	274.00	90.50	58.50	4,046
LAVK 15412	\$43,340	274.00	45.25	58.50	2,222	LAVK 25412	\$83,750	274.00	90.50	58.50	4,129
LEVK 16308	\$46,250	328.00	45.25	58.50	2,554	LEVK 26308	\$89,200	328.00	90.50	58.50	4,759
LEVK 16310	\$46,760	328.00	45.25	58.50	2,573	LEVK 26310	\$90,180	328.00	90.50	58.50	4,796
LEVK 16312	\$47,270	328.00	45.25	58.50	2,610	LEVK 26312	\$91,200	328.00	90.50	58.50	4,870
LEVK 16408	\$47,780	328.00	45.25	58.50	2,784	LEVK 26408	\$92,230	328.00	90.50	58.50	5,218
LEVK 16410	\$48,300	328.00	45.25	58.50	2,808	LEVK 26410	\$93,240	328.00	90.50	58.50	5,268
LEVK 16412	\$48,790	328.00	45.25	58.50	2,858	LEVK 26412	\$94,240	328.00	90.50	58.50	5,366
LEVK 17308	\$54,500	382.00	45.25	58.50	3,020	LEVK 27308	\$104,080	382.00	90.50	58.50	5,757
LEVK 17310	\$55,090	382.00	45.25	58.50	3,042	LEVK 27310	\$105,250	382.00	90.50	58.50	5,794
LEVK 17312	\$55,670	382.00	45.25	58.50	3,088	LEVK 27312	\$107,600	382.00	90.50	58.50	5,868
LEVK 17408	\$56,250	382.00	45.25	58.50	3,279	LEVK 27408	\$108,760	382.00	90.50	58.50	6,216
LEVK 17410	\$56,860	382.00	45.25	58.50	3,307	LEVK 27410	\$109,980	382.00	90.50	58.50	6,266
LEVK 17412	\$57,480	382.00	45.25	58.50	3,366	LEVK 27412	\$111,200	382.00	90.50	58.50	6,364

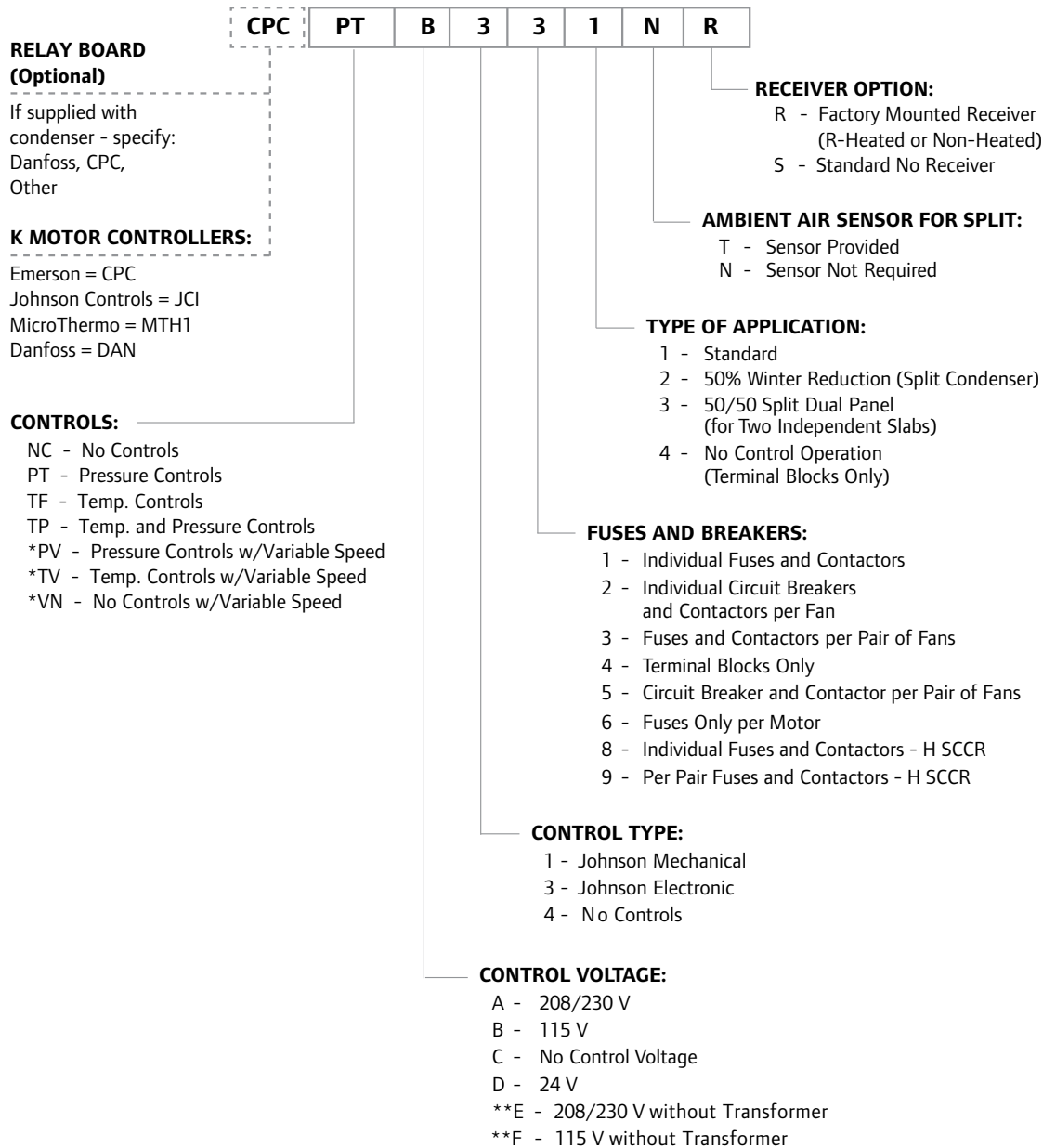
\* Height includes 22 inch legs.

Gravity dampers should not be used with K motor applications.

Prices for Horizontal and Vertical Air Flow are the same with nomenclature changing from 'LAV' to 'LAH'.



**LEVITOR II CONTROL PANEL NOMENCLATURE**



**Note:**

\* *Vspeed Variable Speed - Header End Fans only*

\*\* *Without Transformer - Control Voltage from source outside of Condenser Control Panel*

**FUSES AND BREAKERS:**

*Fuses are required with "K" drives for AIC/SCCR ratings. Breakers are not allowed.*

1. *Only fan motor types A, C, E, and F shall be used for higher SCCR.*
2. *Options 8 and 9 should only be available for selection when choosing higher SCCR fan motor types A, C, E, or F.*
3. *Only when selected fan motor types A, C, E, or F and either Fuses and Breakers option 8 or 9 is chosen, then the default Disconnect option should be FRS Fuse and Fuse Block with the option to select a fused disconnect.*



# LEVITOR II PRODUCT DESCRIPTION - AIR-COOLED CONDENSERS

Version: **September 2023**

## LEVITOR II OPTIONS - LAV

### LEG OPTIONS - LAV (A, C, E, F or K MODELS) - Except LAVB

FAN CONFIGURATION	DEDUCT FOR NO LEGS	15" LEGS	22" LEGS	30" LEGS	36" LEGS	42" LEGS	48" LEGS	60" LEGS
1 X 1	(\$80)	N/C	STD	\$200	\$200	\$200	\$1,440	\$2,090
1 X 2	(\$80)	N/C	STD	\$200	\$200	\$200	\$2,160	\$3,120
1 X 3	(\$120)	N/C	STD	\$300	\$300	\$300	\$2,890	\$4,180
1 X 4	(\$120)	N/C	STD	\$300	\$300	\$300	\$3,600	\$5,220
1 X 5	(\$120)	N/C	STD	\$390	\$390	\$390	\$4,320	\$6,240
1 X 6	(\$160)	N/C	STD	\$390	\$390	\$390	\$5,040	\$7,280
1 X 7	(\$200)	N/C	STD	\$490	\$490	\$490	\$5,760	\$8,320
2 X 2	(\$80)	N/C	STD	\$200	\$200	\$200	\$2,160	\$3,120
2 X 3	(\$120)	N/C	STD	\$300	\$300	\$300	\$2,890	\$4,150
2 X 4	(\$120)	N/C	STD	\$300	\$300	\$300	\$3,600	\$5,190
2 X 5	(\$160)	N/C	STD	\$390	\$390	\$390	\$4,320	\$6,240
2 X 6	(\$160)	N/C	STD	\$390	\$390	\$390	\$5,040	\$7,280
2 X 7	(\$200)	N/C	STD	\$490	\$490	\$490	\$5,760	\$8,300

- 48 inch legs include gussets.

- 60 inch legs include gussets and cross bracing.

FAN CONFIGURATION	HINGED FAN PANEL	GRAVITY DAMPERS	PAINTED HOUSING*
1 X 1	\$390	\$760	\$990
1 X 2	\$780	\$1,520	\$1,970
1 X 3	\$1,170	\$2,280	\$2,960
1 X 4	\$1,550	\$3,040	\$3,950
1 X 5	\$1,940	\$3,800	\$4,940
1 X 6	\$2,330	\$4,560	\$5,920
1 X 7	\$2,720	\$5,320	\$6,910
2 X 2	\$1,550	\$3,040	\$3,800
2 X 3	\$2,330	\$4,560	\$5,700
2 X 4	\$3,110	\$6,080	\$7,600
2 X 5	\$3,890	\$7,600	\$9,500
2 X 6	\$4,660	\$9,120	\$11,400
2 X 7	\$5,440	\$10,640	\$13,300

\* White or beige are available. COD required for any other color.

- Gravity dampers are NOT available on horizontal air throw units.





# LEVITOR II PRODUCT DESCRIPTION - AIR-COOLED CONDENSERS

Version: **September 2023**

## LEVITOR II CONTROL PANELS

\* The Heading of Each Column is the Fan Controls and the Last Three Numbers in the Control Panel Nomenclature.

FAN CONFIGURATION	TF, PT, TP *311	TF, PT, TP *331	NC *411/*421	NC *431	NC *461
1 X 1	\$1,300	-	\$1,000	-	\$660
1 X 2	\$1,860	-	\$1,260	-	\$870
1 X 3	\$2,380	-	\$1,330	-	\$880
1 X 4	\$2,930	-	\$1,720	-	\$1,210
1 X 5	\$3,440	-	\$1,960	-	\$1,380
1 X 6	\$3,940	-	\$2,170	-	\$1,530
1 X 7	\$4,450	-	\$2,380	-	\$1,670
2 X 2	\$2,810	\$2,000	\$2,240	\$1,400	\$1,710
2 X 3	\$3,760	\$2,530	\$2,880	\$1,650	\$2,230
2 X 4	\$4,670	\$3,050	\$3,510	\$1,890	\$2,720
2 X 5	\$5,580	\$3,580	\$4,080	\$2,120	\$3,170
2 X 6	\$6,460	\$4,080	\$4,690	\$2,310	\$3,640
2 X 7	\$7,350	\$4,580	\$5,280	\$2,530	\$4,120

FAN CONFIGURATION	TF, PT, TP *381	TF, PT, TP *391	NC *481	NC *491
1 X 1	\$2,670		\$2,370	
1 X 2	\$4,340		\$3,740	
1 X 3	\$5,970		\$4,920	
1 X 4	\$7,840		\$6,630	
1 X 5	\$9,460		\$7,980	
1 X 6	\$10,970		\$9,200	
1 X 7	\$12,770		\$10,700	
2 X 2	\$7,720	\$4,480	\$7,150	\$3,880
2 X 3	\$10,790	\$6,120	\$9,910	\$5,240
2 X 4	\$14,100	\$7,960	\$12,940	\$6,800
2 X 5	\$17,460	\$9,600	\$15,960	\$8,140
2 X 6	\$20,750	\$11,110	\$18,980	\$9,340
2 X 7	\$23,860	\$12,900	\$21,790	\$10,850

OPTIONS	ADD \$
50 / 50 Split (2X Only) For Independent Slab Operation	<b>Two 1 x Panels</b>
50% Winter Reduction Relay (2X Only)	\$290
Phase Loss Monitor	\$1,100
Circuit Breakers: Per Breaker	\$450
NEMA Contactor: Per Contactor	\$390
Mounted <b>Non-Fused</b> Disconnect	\$1,860
Mounted <b>Fused</b> Disconnect (100 Amp or Less)	\$2,070
VFD Power Distribution Block	\$650
115 Volt GFI Outlet (Not Wired)	\$1,070
115 Volt GFI Outlet (Wired with Transformer)	\$1,820
**PV, TV, VN, Variable Speed (1X Only) (Plus Control Panel)	\$1,580
**PV, TV, VN, Variable Speed (2X Only) (Plus Control Panel)	\$2,650
Control Circuit 10 Amp Disconnect	\$340
Drop Leg Transducer Tap with Pressure Transducer	\$1,610
Drop Leg Pressure Transducer Tap ONLY	\$330
Rochester Liquid Level Gauge with Alarm Contact	\$2,940
Rupture Disc Assembly	\$1,280
<b>RELAY BOARDS</b>	
CPC - 8RO Relay Board	\$2,720
CPC1 - Multiflex 88 Board	\$3,240
CPC2 - Multiflex 88AO Board	\$3,650
AKC - Danfoss 88 Board and Comm - AK2-XM205B(TP78-Old)***	\$2,720
AKS - Danfoss 88 Board and Comm - AK2-XM205B (RS485)***	\$2,720
DAN - Danfoss MX06D with Transducer and Temp Sensor	\$2,650
MTH - Microthermo - MT-508	\$2,720
MTH1 - Microthermo - MT-722F / 784A	\$4,450
NOV - Novar #7330130	\$2,720
HSM - Hussmann Controller with Transducer and Temperature Sensor	\$2,290
Ambient Air Sensor - CPC, Danfoss, Novar (Shipped Loose)	\$350
Ambient Air Sensor - CPC, Danfoss, Novar (Mounted)	\$640

### CONTROL DESCRIPTION

#### MODEL 311

Individual Fuses and Contactors,  
Plus Fan Cycling Controls

#### MODEL 331

Fuses and Contactors per Pair of Fans,  
Plus Fan Cycle Controls

#### MODEL 411

No Fan Cycle Controls,  
Individual Fuses and Contactors

#### MODEL 421

No Fan Cycle Controls,  
Individual Circuit breakers and Contactors

#### MODEL 431

No Fan Cycle Controls,  
Fuses and Contactors per Pair of Fans

#### MODEL 412\*\*\*\*

No Fan Cycle Controls,  
Fuses and Contactors per Fan,  
Winter Reduction Relay  
50 / 50 Split Condenser

#### MODEL 413\*\*\*\*

No Fan Cycle Controls,  
Fuses and Contactors per Fan  
50 / 50 Split Control Panel

#### MODEL 461

No Fan Cycle Controls

Individual Fuses  
(Use with Vspeed - LAVK)

#### MODEL 462

No Fan Cycle Controls  
Individual Fuses  
50% winter reduction  
(Use with VSpeed - LAVK)

### INVERTER DUTY SUITABLE MOTORS

**ARE NOW STANDARD ON  
LEVITOR SERIES FOR 208-230/3/60,  
460/3/60 AND 575/3/60 VOLTAGES WITH 'F'  
1140 RPM and 'A' 850 RPM 1.0 HP MOTORS.**

\*\* When selecting PV, TV, VN option, additional corresponding control panel(s) must be added. This is a variable speed, header end fan only. All other fans will be standard.

\*\*\* Controller model required to provide correct com module.

\*\*\*\* Use Model 411 as base pricing and options as needed. Check valves needs to be added when Model 412 and factory installed receiver selected.

Prices, product availability, and specifications are subject to change without notice.



**LEVITOR II PRODUCT DESCRIPTION -  
AIR-COOLED CONDENSERS**

Version: **September 2023**

**LEVITOR II OPTIONS - LAV**

**LAV - COIL COATING AND SPECIAL FIN OPTION FOR MODELS (A, C, E, F, or K) - Except LAVB**

SINGLE WIDE MODELS	ELECTROFIN COATED COIL	POLYESTER FIN COATING*	COPPER FIN	DOUBLE WIDE MODELS	ELECTROFIN COATED COIL	POLYESTER FIN COATING*	COPPER FIN
11208	\$1,140	\$930	\$2,500	-	-	-	-
11210	\$1,140	\$950	\$2,520	-	-	-	-
11212	\$1,140	\$970	\$2,550	-	-	-	-
11308	\$1,250	\$1,030	\$2,700	-	-	-	-
11310	\$1,250	\$1,040	\$2,730	-	-	-	-
11312	\$1,250	\$1,050	\$2,760	-	-	-	-
11408	\$1,280	\$1,060	\$2,790	-	-	-	-
11410	\$1,280	\$1,070	\$2,820	-	-	-	-
11412	\$1,280	\$1,080	\$2,860	-	-	-	-
12208	\$1,630	\$1,330	\$3,550	22208	\$3,260	\$2,670	\$7,060
12210	\$1,630	\$1,350	\$3,610	22210	\$3,260	\$2,710	\$7,160
12212	\$1,630	\$1,380	\$3,660	22212	\$3,260	\$2,760	\$7,300
12308	\$1,750	\$1,430	\$3,790	22308	\$3,500	\$2,880	\$7,540
12310	\$1,750	\$1,460	\$3,870	22310	\$3,500	\$2,920	\$7,700
12312	\$1,750	\$1,520	\$4,030	22312	\$3,500	\$3,020	\$8,000
12408	\$2,240	\$1,760	\$4,740	22408	\$4,480	\$3,550	\$9,410
12410	\$2,240	\$1,870	\$4,940	22410	\$4,480	\$3,740	\$9,810
12412	\$2,240	\$1,930	\$5,130	22412	\$4,480	\$3,860	\$10,190
13210	\$2,440	\$2,030	\$5,420	23210	\$4,890	\$4,070	\$10,730
13212	\$2,440	\$2,080	\$5,520	23212	\$4,890	\$4,160	\$10,990
13308	\$2,600	\$2,130	\$5,670	23308	\$5,200	\$4,250	\$11,250
13310	\$2,600	\$2,170	\$5,780	23310	\$5,200	\$4,340	\$11,490
13312	\$2,600	\$2,250	\$5,960	23312	\$5,200	\$4,490	\$11,890
13408	\$3,160	\$2,530	\$6,730	23408	\$6,320	\$5,070	\$13,570
13410	\$3,160	\$2,640	\$7,010	23410	\$6,320	\$5,260	\$13,920
13412	\$3,160	\$2,730	\$7,290	23412	\$6,320	\$5,470	\$14,480
14308	\$3,440	\$2,850	\$7,570	24308	\$6,890	\$5,700	\$15,070
14310	\$3,440	\$2,880	\$7,650	24310	\$6,890	\$5,740	\$15,200
14312	\$3,440	\$2,980	\$7,950	24312	\$6,890	\$5,960	\$15,800
14408	\$4,160	\$3,360	\$8,970	24408	\$8,300	\$6,740	\$17,830
14410	\$4,160	\$3,470	\$9,200	24410	\$8,300	\$6,910	\$18,290
14412	\$4,160	\$3,630	\$9,680	24412	\$8,300	\$7,290	\$19,270
15308	\$4,920	\$4,050	\$10,750	25308	\$9,840	\$8,100	\$21,400
15310	\$4,920	\$4,110	\$10,920	25310	\$9,840	\$8,200	\$21,710
15312	\$4,920	\$4,160	\$11,080	25312	\$9,840	\$8,320	\$22,020
15408	\$5,270	\$4,210	\$11,220	25408	\$10,520	\$8,430	\$22,310
15410	\$5,270	\$4,390	\$11,690	25410	\$10,520	\$8,770	\$23,250
15412	\$5,270	\$4,570	\$12,170	25412	\$10,520	\$9,120	\$24,200
16308	\$5,780	\$4,740	\$12,620	26308	\$11,560	\$9,470	\$25,110
16310	\$5,780	\$4,820	\$12,810	26310	\$11,560	\$9,630	\$25,470
16312	\$5,780	\$4,880	\$13,000	26312	\$11,560	\$9,770	\$25,840
16408	\$6,040	\$4,950	\$13,180	26408	\$12,060	\$9,900	\$26,220
16410	\$6,040	\$5,030	\$13,360	26410	\$12,060	\$10,060	\$26,580
16412	\$6,040	\$5,090	\$13,550	26412	\$12,060	\$10,170	\$26,940
17308	\$35,340	\$5,420	\$14,490	27308	\$70,680	\$10,850	\$28,810
17310	\$35,340	\$5,530	\$14,700	27310	\$70,680	\$11,060	\$29,230
17312	\$35,340	\$5,610	\$14,920	27312	\$70,680	\$11,210	\$29,660
17408	\$41,450	\$5,680	\$15,130	27408	\$82,900	\$11,370	\$30,120
17410	\$41,450	\$5,670	\$15,030	27410	\$82,900	\$11,350	\$29,900
17412	\$41,450	\$5,620	\$14,920	27412	\$82,900	\$11,220	\$29,680

\* Polyester fin coating is a vinyl coated fin material.



# LEVITOR II PRODUCT DESCRIPTION - AIR-COOLED CONDENSERS

Version: September 2023

## LEVITOR II RECEIVER OPTIONS

### CONDENSER WITH FACTORY MOUNTED RECEIVER:

Includes ORI / ORD Flooding Valve, Isolation Ball Valves, Gauge Type Liquid Level Indicator and Dual Relief Valve.

LEVITOR II MODEL	CONDENSER SIZE	MOUNTED RECEIVER WITH BASE FRAME	RECEIVER SIZE	RECEIVER HEAT TAPE AND INSULATION	RECEIVER INSULATION ONLY	BASE FRAME ONLY
LAVB 24" FAN MODEL 1 RECEIVER	1 X 1	\$5,760	10.75" X 48.00"	\$1,440		
	1 X 2	\$6,970	10.75" X 60.00"	\$1,850		
	1 X 3	\$7,690	10.75" X 60.00"	\$1,850		
	1 X 4	\$8,800	10.75" X 60.00"	\$2,020		
	1 X 5	\$11,700	10.75" X 60.00"	\$2,210		
	1 X 6	\$12,810	10.75" X 60.00"	\$2,210		
	1 X 7	\$13,650	12.75" X 72.00"	\$2,210		
LAVB 24" FAN MODEL 1 RECEIVER	2 X 2	\$9,440	(1) 10.75" X 60.00"	\$2,010		
	2 X 3	\$10,410	(1) 10.75" X 60.00"	\$2,010		
	2 X 4	\$12,500	(1) 12.75" X 72.00"	\$2,300		
	2 X 5	\$15,830	(1) 12.75" X 72.00"	\$2,300		
	2 X 6	\$17,280	(1) 12.75" X 72.00"	\$2,460		
	2 X 7	\$19,440	(1) 12.75" X 72.00"	\$2,460		
	LAVB 24" FAN MODEL 2 RECEIVERS FOR INDEPENDENT SLAB OPERATION	2 X 2	\$12,530	(2) 10.75" X 60.00"	\$3,600	
2 X 3		\$13,830	(2) 10.75" X 60.00"	\$3,600		
2 X 4		\$15,830	(2) 10.75" X 60.00"	\$4,030		
2 X 5		\$21,020	(2) 10.75" X 60.00"	\$4,030		
2 X 6		\$23,030	(2) 10.75" X 60.00"	\$4,410		
2 X 7		\$24,480	(2) 12.75" X 72.00"	\$4,410		
L_V() 30" FAN MODEL 1 RECEIVER	1 X 1	\$8,640	10.75" X 60.00"	\$1,440		\$870
	1 X 2	\$9,140	10.75" X 60.00"	\$2,020		\$1,330
	1 X 3	\$10,980	10.75" X 60.00"	\$2,020		\$1,890
	1 X 4	\$12,810	10.75" X 60.00"	\$2,210		\$2,330
	1 X 5	\$14,650	12.75" X 72.00"	\$2,380		\$2,890
	1 X 6	\$16,470	12.75" X 72.00"	\$2,560		\$3,330
	1 X 7	\$18,230	12.75" X 72.00"	\$2,750		\$3,890
L_V() 30" FAN MODEL 1 RECEIVER	2 X 2	\$14,080	(1) 10.75" X 60.00"	\$2,210		\$1,270
	2 X 3	\$15,830	(1) 12.75" X 72.00"	\$2,380		\$2,090
	2 X 4	\$17,580	(1) 12.75" X 72.00"	\$2,380		\$2,530
	2 X 5	\$19,460	(1) 12.75" X 72.00"	\$2,560		\$3,100
	2 X 6	\$21,220	(1) 12.75" X 72.00"	\$2,760		\$3,550
	2 X 7	\$22,960	(1) 12.75" X 72.00"	\$2,960		\$4,220
L_V() 30" FAN MODEL 2 RECEIVERS FOR INDEPENDENT SLAB OPERATION	2 X 2	\$16,470	(2) 10.75" X 60.00"	\$3,650		
	2 X 3	\$20,130	(2) 10.75" X 60.00"	\$4,030		
	2 X 4	\$23,790	(2) 10.75" X 60.00"	\$4,410		
	2 X 5	\$27,460	(2) 12.75" X 72.00"	\$4,770		
	2 X 6	\$31,110	(2) 12.75" X 72.00"	\$5,130		
	2 X 7	\$34,770	(2) 12.75" X 72.00"	\$5,490		

\_ A or E

() A, C, E, F or K

RECEIVER OPTIONS			RECEIVER CAPACITIES: 80% FULL (LBS)			
FROM RECEIVER SIZE	TO RECEIVER SIZE	UPGRADE PRICE	RECEIVER SIZE	R-404A	R-407 (A / F / C)	R-448A / R-449A
10.75" X 48.00"	10.75" X 60.00"	\$420	10.75" X 48.00"	114	126	121
10.75" X 60.00"	12.75" X 72.00"	\$780	10.75" X 60.00"	144	159	153
12.75" X 72.00"	14.75" X 96.00"	\$1,250	12.75" X 72.00"	245	270	260
10.75" X 60.00"	14.75" X 96.00"	\$2,010	14.75" X 96.00"	395	435	419

Add to Receiver and Base Frame List Price Above.

DEDUCT \$		
10.75" X 60.00"	10.75" X 48.00"	(\$400)
12.75" X 72.00"	10.75" X 60.00"	(\$740)
12.75" X 72.00"	10.75" X 48.00"	(\$1,140)

Deduct From Receiver and Base Frame List Price Above.

14.75" X 96.00" Heat and Insulation*	\$4,410
Drop Leg Pressure Transducer with Tap	\$1,610
Drop Leg Pressure Transducer Tap ONLY	\$330
Rochester Liquid Level Gauge with Alarm Contact	\$2,940
Rupture Disc Assembly	\$1,280

CONDENSER MODEL	RECOMMENDED CHECK VALVE SIZE	LIST PRICE
LAV*-22***	1-3/8"	\$300.00
LAV*-23***	1-5/8"	\$410.00
LAV*-24***	1-5/8"	\$410.00
LAV*-25***	1-5/8"	\$410.00
LEV*-26***	2-1/8"	\$560.00
LEV*-27***	2-1/8"	\$560.00

\* Use the upsized Heating and Insulation pricing if the receiver is also upsized.



# LEVITOR II and MICROCHANNEL PRODUCT DESCRIPTION - AIR-COOLED CONDENSERS

Version: **September 2023**

## VFD SIZING / CONDENSER MOTOR AMP DRAW REFERENCE CHART

### REFERENCE KEY CHART for VFD SIZE and PART NUMBER

LEVITOR & MX CONDENSERS	1 HP, 850 RPM Motor (A)		1-1/2 HP, 850 RPM Motor (C)		1/2 HP, 575 RPM Motor (E)		1-1/2 HP, 1140 RPM Motor (F)		1/2 HP, 1140 RPM Motor (B)	
	230V	460V	230V	460V	230V	460V	230V	460V	230V	460V
1-Fan	4.8	2.4	6.9	3.3	3.4	1.6	5.4	2.5	2.1	1.1
2-Fan	9.6	4.8	13.8	6.6	6.8	3.2	10.8	5.0	4.2	2.2
3-Fan	14.4	7.2	20.7	9.9	10.2	4.8	16.2	7.5	6.3	3.3
4-Fan	19.2	9.6	27.6	13.2	13.6	6.4	21.6	10.0	8.4	4.4
5-Fan	24.0	12.0	34.5	16.5	17.0	8.0	27.0	12.5	10.5	5.5
6-Fan	28.8	14.4	41.4	19.8	20.4	9.6	32.4	15.0	12.6	6.6
8-Fan	38.4	19.2	55.2	26.4	27.2	12.8	43.2	20.0	16.8	8.8
10-Fan	48.0	24.0	69.0	33.0	34.0	16.0	54.0	25.0	21.0	11.0
12-Fan	57.6	28.8	82.8	39.6	40.8	19.2	64.8	30.0	25.2	13.2
14-Fan	67.2	33.6	96.6	46.2	47.6	22.4	75.6	35.0	29.4	15.4

Note:

50 / 50 split condensers with 2 independent slabs will need 2 VFDs. Each will be sized for the individual slab and not the entire coil.

## VFD DANFOSS PART NUMBERS

### DANFOSS VFD - NEMA 3R ENCLOSURE WITH BYPASS

KRACK PART #	HP	AMPS	Voltage	Danfoss Part #	Encl Size	List Price
E209136001	5	16.7	230/3/60	RAP103005T2E3R3CMDXXX2XO	A2/A3	\$16,290.00
E209137001	5	8.2	460/3/60	RAP103005T4E3R3CMDXXX2XO	A2/A3	\$15,980.00
E209138001	7.5	24	230/3/60	RAP1037H5T2E3R3CMDXXX2XO	B3	\$20,100.00
E209139001	7.5	11	460/3/60	RAP1037H5T4E3R3CMDXXX2XO	A2/A3	\$17,050.00
E209140001	10	31	230/3/60	RAP103010T2E3R3CMDXXX2XO	B3	\$21,850.00
E209141001	10	14.5	460/3/60	RAP103010T4E3R3CMDXXX2XO	A2/A3	\$18,120.00
E209142001	15	46	230/3/60	RAP103015T2E3R3CMDXXX2XO	B4	\$24,160.00
E209143001	15	21	460/3/60	RAP103015T4E3R3CMDXXX2XO	B3	\$22,640.00
E209144001	20	59	230/3/60	RAP103020T2E3R3CMDXXX2XO	B4	\$30,140.00
E209145001	20	27	460/3/60	RAP103020T4E3R3CMDXXX2XO	B3	\$23,880.00
E209146001	25	75	230/3/60	RAP103025T2E3R3CMDXXX2XO	C3/C4	\$42,890.00
E209147001	25	34	460/3/60	RAP103025T4E3R3CMDXXX2XO	B4	\$27,210.00
E209148001	30	88	230/3/60	RAP103030T2E3R3CMDXXX2XO	C3/C4	\$49,360.00
E209149001	30	40	460/3/60	RAP103030T4E3R3CMDXXX2XO	B4	\$29,920.00
E209150001	40	115	230/3/60	RAP103040T2E3R3CMDXXX2XO	C3/C4	\$61,040.00
E209151001	40	52	460/3/60	RAP103040T4E3R3CMDXXX2XO	B4	\$19,460.00
E209152001	50		460/3/60	RAP103050T4E3R3CMDXXX2XO	C3/C4	\$30,160.00

Ship loose with optional encl stand.

E209291001	MOUNTING TABLE FOR VFD SIZE A2/A3	30x20.15x12.20	A2/A3	\$4,180.00
E209232001	MOUNTING TABLE FOR VFD SIZE B3	30x20.15x13.20	B3	\$3,830.00
E209238001	MOUNTING TABLE FOR VFD SIZE B4	36x24.15x13.20	B4	\$3,830.00
E209246001	MOUNTING TABLE FOR VFD SIZE C3/C4	54x36.15x17.20	C3/C4	\$3,730.00



# LEVITOR II and MICROCHANNEL PRODUCT DESCRIPTION - AIR-COOLED CONDENSERS

Version: **September 2023**

## VFD EMERSON PART NUMBERS

### EMERSON VFD - NEMA 3R ENCLOSURE WITH BYPASS

KRACK PART #	HP	AMPS	Voltage	Emerson Part #	VFD Size	List Price
3027049	5	17.6	208/3/60	HH800531210BW2A		\$13,380.00
3027050	10	30	208/3/60	HH801031210BW2A		\$17,810.00
3027051	15	50	208/3/60	HH801531210BW2A		\$22,180.00
3027052	20	58	208/3/60	HH802031210BW2A		\$20,030.00
3027053	25	75	208/3/60	HH802531210BW2A		\$28,030.00
0005277	7.5	13.5	460/3/60	HH400731212BW2A		\$15,540.00
3027040	10	17	460/3/60	HH401031212BW2A		\$20,710.00
3142661	10	17	460/3/60	H4010-31202-B-TD-01A	NEMA 3R	\$23,840.00
3027041	20	30	460/3/60	HH402031212BW2A		\$20,660.00
3142664	20	30	460/3/60	HH4020-31202-B-TD-01A	NEMA 3R	\$27,150.00
3012545	25	38	460/3/60	HH402531212BW2A		\$22,000.00
3027042	30	48	460/3/60	HH403031212BW2A		\$23,130.00

Can be mounted on MX units or ship loose for Levitor and SLD units.

E209691001	MX MOUNTING VFD KIT			\$220.00
------------	---------------------	--	--	----------

## VFD JOHNSON CONTROL PART NUMBERS

### JOHNSON CONTROL VFD68 - STAND ALONE DRIVE

KRACK PART #	HP	AMPS	Voltage	Johnson Part #	VFD Size	kW	List Price
3151054	1	2.2	460/3/60	VFD68CFF-2C	5x4.25x5.14	0.75	\$3,520.00
3151055	1	1.7	575/3/60	VFD68DFM-2C	5.94x5.5x5.31	0.75	\$4,650.00
3063872	2	7	230/3/60	VFD68BGG-2C	5x4.25x5.31	1.5	\$3,760.00
3063873	2	3.6	460/3/60	VFD68CGG-2C	5x4.25x5.31	1.5	\$4,000.00
3063874	2	2.7	575/3/60	VFD68DGM-2C	5.94x5.5x5.31	1.5	\$4,880.00
3035037	3	5	460/3/60	VFD68CHH2C	5x4.25x6.13	2.2	\$4,150.00
3065320	5	16.5	230/3/60	VFD68BJK-2C	5x6.81x5.63	3.7	\$4,310.00
3065321	5	8	460/3/60	VFD68CJJ-2C	5x4.25x6.5	3.7	\$3,980.00
3065322	5	6.1	575/3/60	VFD68DJN-2C	5.93x8.81x5.68	3.7	\$6,040.00
3000020	7.5	12	460/3/60	VFD68CKL-2C	5.91x8.68x6.13	5.5	\$4,130.00

### JOHNSON CONTROL TRANSDUCER

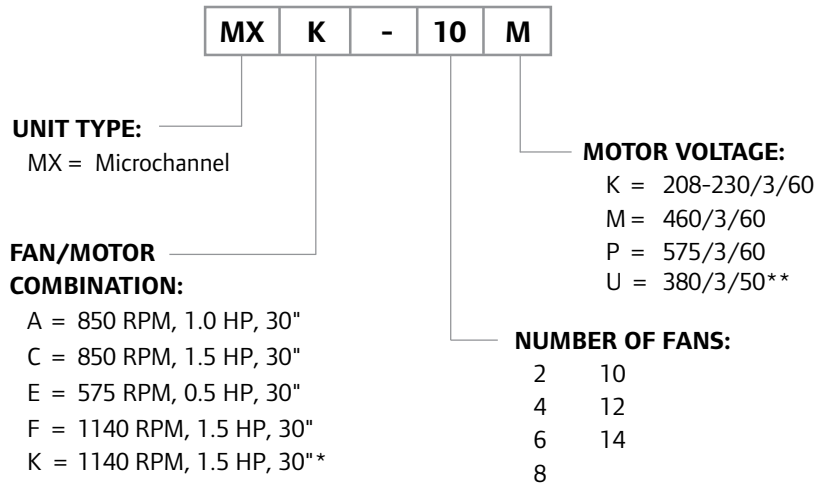
3065325	XDCR	0-750PSI	0.5 TO 4.5VDC	P499RCP-107C	RATIOMETRIC		\$520.00
3062548	CABLE			WHA-PKD3-600C			\$60.00



# MICROCHANNEL PRODUCT DESCRIPTION - AIR-COOLED CONDENSER

Version: September 2023

## MX - MICROCHANNEL AIR-COOLED MODEL KEY



\* K Vspeed Variable Speed BPM (brushless permanent magnet motors) and panel mounted electronic drive are 208-240/3/60, 380/3/50, 380/3/60, and 460/3/60. Gravity dampers should not be used with K motor applications.

\*\* De-rate capacity data 10% for 50 Hz applications with all motors except K (variable speed BPM motors and panel mounted drive) which have no reduction in capacity for the change in frequency.



# MICROCHANNEL PRODUCT DESCRIPTION - AIR-COOLED CONDENSER

Version: September 2023

## MX - MICROCHANNEL AIR-COOLED MODELS

MODEL	LIST PRICE	THR in MBH (000) @ 10° F TD R-404A / R-507A	THR in MBH (000) @ 10° F TD R-448A / R-449A	AIR FLOW (CFM)	DIMENSIONS (IN)			SHIP WGT (LBS)	SUMMER R-404A (LBS)	WINTER R-404A (LBS)
					L	W	H *			
<b>0.5 HP, 575 RPM *</b>										
MXE-02	\$15,650	104.5	101.8	12,600	44.00	90.25	42.00	560	4	12
MXE-04	\$28,510	209.0	203.6	25,200	88.00	90.25	42.00	1,170	15	26
MXE-06	\$43,910	313.5	305.4	37,800	132.00	90.25	42.00	1,705	23	40
MXE-08	\$56,300	418.0	407.2	50,400	176.00	90.25	42.00	2,280	40	55
MXE-10	\$71,780	522.5	509.0	63,000	220.00	90.25	42.00	2,850	52	70
MXE-12	\$90,160	627.0	610.8	75,600	264.00	90.25	42.00	3,385	80	88
MXE-14	\$108,560	731.5	712.6	88,200	308.00	90.25	42.00	3,920	108	119
<b>1.0 HP, 850 RPM</b>										
MXA-02	\$15,650	146.2	141.2	20,800	44.00	90.25	42.00	560	4	12
MXA-04	\$28,510	292.4	282.4	41,600	88.00	90.25	42.00	1,170	15	26
MXA-06	\$43,910	438.6	423.6	62,400	132.00	90.25	42.00	1,705	23	40
MXA-08	\$56,300	584.8	564.8	83,200	176.00	90.25	42.00	2,280	40	55
MXA-10	\$71,780	731.0	706.0	104,000	220.00	90.25	42.00	2,850	52	70
MXA-12	\$90,160	877.2	847.2	124,800	264.00	90.25	42.00	3,385	80	88
MXA-14	\$108,560	1023.4	988.4	145,600	308.00	90.25	42.00	3,920	108	119
<b>1.5 HP, 850 RPM</b>										
MXC-02	\$15,650	153.5	149.9	22,830	44.00	90.25	42.00	560	4	12
MXC-04	\$28,510	307.0	299.8	45,660	88.00	90.25	42.00	1,170	15	26
MXC-06	\$43,910	460.5	449.7	68,490	132.00	90.25	42.00	1,705	23	40
MXC-08	\$56,300	614.0	599.6	91,320	176.00	90.25	42.00	2,280	40	55
MXC-10	\$71,780	767.5	749.5	114,150	220.00	90.25	42.00	2,850	52	70
MXC-12	\$90,160	921.0	899.4	136,980	264.00	90.25	42.00	3,385	80	88
MXC-14	\$108,560	1074.5	1049.3	159,010	308.00	90.25	42.00	3,920	108	119
<b>1.5 HP, 1140 RPM</b>										
MXF-02	\$15,650	164.2	161.6	25,600	44.00	90.25	42.00	560	4	12
MXF-04	\$28,510	328.4	323.2	51,200	88.00	90.25	42.00	1,170	15	26
MXF-06	\$43,910	492.6	484.8	76,800	132.00	90.25	42.00	1,705	23	40
MXF-08	\$56,300	656.8	646.4	102,400	176.00	90.25	42.00	2,280	40	55
MXF-10	\$71,780	821.0	808.0	128,000	220.00	90.25	42.00	2,850	52	70
MXF-12	\$90,160	985.2	969.6	153,600	264.00	90.25	42.00	3,385	80	88
MXF-14	\$108,560	1149.4	1131.2	179,200	308.00	90.25	42.00	3,920	108	119
<b>1.5 HP, 1140 RPM, BPM Motor and Panel Mounted Drive</b>										
MXK-02	\$19,860	164.2	161.6	25,600	44.00	90.25	42.00	560	4	12
MXK-04	\$36,280	328.4	323.2	51,200	88.00	90.25	42.00	1,170	15	26
MXK-06	\$55,730	492.6	484.8	76,800	132.00	90.25	42.00	1,705	23	40
MXK-08	\$71,090	656.8	646.4	102,400	176.00	90.25	42.00	2,280	40	55
MXK-10	\$89,510	821.0	808.0	128,000	220.00	90.25	42.00	2,850	52	70
MXK-12	\$110,850	985.2	969.6	153,600	264.00	90.25	42.00	3,385	80	88
MXK-14	\$132,180	1149.4	1131.2	179,200	308.00	90.25	42.00	3,920	108	119

\* Add 22" to height when ship loose legs are required. Add 18" to height for mounted receiver.

- MX Microchannel is a two fan modular design.
- MXA, MXC, MXF, and MXE includes Inverter Duty Suitable Fan Motors (not available on 575/3/60 volt units).
- MXK includes brushless permanent magnet (BPM) motor and panel mounted drive. Gravity dampers should not be used with K motor applications.
- 22" legs are standard on Microchannel without a receiver.
- Winter Flooding charge does not reflect module isolation valves.

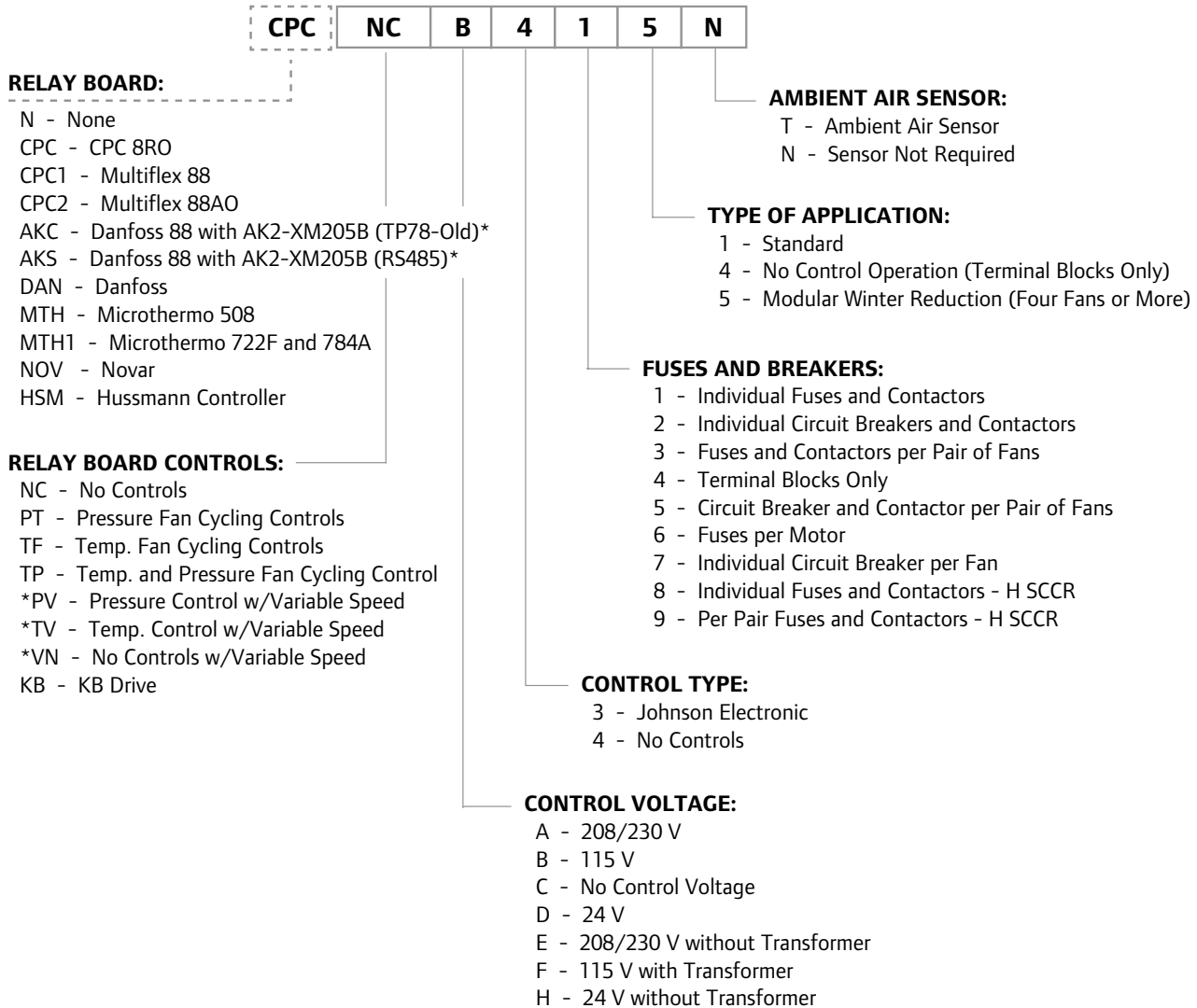




# MICROCHANNEL PRODUCT DESCRIPTION - AIR-COOLED CONDENSER

Version: **September 2023**

## **MX - MICROCHANNEL AIR-COOLED CONTROL PANEL NOMENCLATURE**



**Note:**

\* Controller model required to provide correct com module.

<sup>1</sup> Contact Application Engineering for quoting.

**FUSES AND BREAKERS:**

1. Only fan motor types A, C, E, and F shall be used for higher SCCR.
2. Options 8 and 9 should only be available for selection when choosing higher SCCR fan motor types A, C, E, or F.
3. Only when selected fan motor types A, C, E, or F and either Fuses and Breakers option 8 or 9 is chosen, then the default Disconnect option should be FRS Fuse and Fuse Block with the option to select a fused disconnect.



# MICROCHANNEL PRODUCT DESCRIPTION - AIR-COOLED CONDENSER

Version: September 2023

## MX - MICROCHANNEL AIR-COOLED CONTROL PANELS

MX* MODEL	TF, PT, TP 311	TF, PT, TP 331	NC 411	NC 431	NC 461	TF,PT,TP 315	TF,PT,TP 335	NC 415	NC 435	NC 445	NC 465
MX* 02	\$1,860	-	\$1,260	\$1,000	\$870	-	-	-	-	-	-
MX* 04	\$2,810	\$2,000	\$2,240	\$1,400	\$1,710	\$3,990	\$3,180	\$3,420	\$2,570	\$1,180	\$2,900
MX* 06	\$3,760	\$2,530	\$2,880	\$1,650	\$2,230	\$6,100	\$4,880	\$5,220	\$4,000	\$2,350	\$4,570
MX* 08	\$4,670	\$3,050	\$3,510	\$1,890	\$2,720	\$8,200	\$6,570	\$7,040	\$5,420	\$3,530	\$6,250
MX* 10	\$5,580	\$3,580	\$4,080	\$2,120	\$3,170	\$10,290	\$8,280	\$8,780	\$6,810	\$4,700	\$7,860
MX* 12	\$6,460	\$4,080	\$4,690	\$2,310	\$3,640	\$12,330	\$9,950	\$10,570	\$8,190	\$5,880	\$9,520
MX* 14	\$7,340	\$4,590	\$5,280	\$2,530	\$4,120	\$14,400	\$11,640	\$12,340	\$9,590	\$7,060	\$11,170

MX* MODEL	TF, PT, TP *381	TF, PT, TP *391	NC *481	NC *491	TF, PT, TP *385	TF, PT, TP *395	NC *485	NC *495
MX* 02	\$4,340	-	\$3,740	\$3,480	-	-	-	-
MX* 04	\$7,720	\$4,480	\$7,150	\$3,880	\$8,900	\$5,660	\$8,330	\$5,050
MX* 06	\$10,790	\$6,120	\$9,910	\$5,240	\$13,130	\$8,470	\$12,250	\$7,590
MX* 08	\$14,100	\$7,960	\$12,940	\$6,800	\$17,630	\$11,480	\$16,470	\$10,330
MX* 10	\$17,460	\$9,600	\$15,960	\$8,140	\$22,170	\$14,300	\$20,660	\$12,830
MX* 12	\$20,750	\$11,110	\$18,980	\$9,340	\$26,620	\$16,980	\$24,860	\$15,220
MX* 14	\$23,850	\$12,910	\$21,790	\$10,850	\$30,910	\$19,960	\$28,850	\$17,910

\* A, E, C, F, or K NOTE. The heading of each column is the fan controls and the last three numbers in the Control Panel Nomenclature.

CONTROL OPTIONS	
Phase Loss Monitor	\$1,100
Circuit Breakers: Per Breaker	\$450
NEMA Contactor: Per Contactor	\$390
Mounted <b>Non-Fused</b> Disconnect	\$1,860
Mounted <b>Fused</b> Disconnect (100 Amp or Less)	\$2,070
VFD Power Distribution Block (Use When Control Transformer is Located in Condenser Control Panel)	\$650
115 Volt GFI Outlet (Not Wired)	\$1,070
Drop Leg Transducer Tap with Pressure Transducer	\$1,610
Drop Leg Pressure Transducer Tap ONLY	\$330
Rochester Liquid Level Gauge with Alarm Contact	\$2,940
Rupture Disc Assembly	\$1,280
RELAY BOARDS	
CPC - 8RO Relay Board	\$2,720
CPC1 - Multiflex 88 Board	\$3,240
CPC2 - Multiflex 88AO Board	\$3,650
AKC - Danfoss 88 Board and Comm - AK2-XM205B (TP78-Old)**	\$2,720
AKS - Danfoss 88 Board and Comm - AK2-XM205B (RS485)**	\$2,720
DAN - Danfoss MX06D with Transducer and Temp Sensor	\$2,650
MTH - Microthermo - MT-508	\$2,720
MTH1 - Microthermo - MT-722F / 784A	\$4,450
NOV - Novar #7330130	\$2,720
Ambient Air Sensor - CPC, Danfoss, Novar (Shipped Loose)	\$350
Ambient Air Sensor - CPC, Danfoss, Novar (Mounted)	\$640

\*\* Controller model required to provide correct com module.

### Notes:

- Inverter Duty Suitable Motors are Standard on MX (A, C, E, or F) Models with 208-230/3/60 AND 460/3/60 Voltages.
- Inverter Duty Standard on MXA AND MXF for 575/3/60 Voltage.
- Winter Isolation Valves Include Solenoid and Check Valve.
- Winter Isolation Solenoid Valve Not Provided on Lead Module.

## CONTROL DESCRIPTION

### MODEL 311

Individual Fuses and Contactors,  
Plus Fan Cycling

### MODEL 331

Fuses and Contactors per Pair of Fans,  
Plus Fan Cycle Controls

### MODEL 411

No Fan Cycle Controls,  
Individual Fuses and Contactors

### MODEL 431

No Fan Cycle Controls,  
Fuses and Contactors per Pair of Fans

### MODEL 461

No Fan Cycle Controls,  
Individual Fuses (Use with VSpeed MXK)

### MODEL 315

Individual Fuses and Contactors,  
Plus Fan Cycling,  
Winter Isolation Solenoid Valve(s)

### MODEL 335

Fuses and Contactors per Pair of Fans,  
Plus Fan Cycle Controls,  
Winter Isolation Solenoid Valve(s)

### MODEL 415

Individual Fuses and Contactors,  
Winter Isolation Solenoid Valve(s)

### MODEL 435

Fuses and Contactors per Pair of Fans,  
Winter Isolation Solenoid Valve(s)

### MODEL 444 (Standard)

Motors Wired to Terminal Blocks

### MODEL 445

Motors Wired to Terminal Blocks,  
Plus Winter Isolation Solenoid Valve(s)

### MODEL 465

Individual Fuses,  
Winter Isolation Solenoid Valve(s)

# MICROCHANNEL PRODUCT DESCRIPTION - AIR-COOLED CONDENSER

Version: September 2023

## MX - MICROCHANNEL AIR-COOLED MODEL OPTIONS

### CONDENSER WITH FACTORY MOUNTED RECEIVER:

*Includes ORI / ORD Flooding Valve, Isolation Ball Valves, Gauge Type Liquid Level Indicator and Dual Relief Valve.*

MICROCHANNEL	MODEL	MOUNTED RECEIVER	RECEIVER SIZE	HEAT AND INSULATION	RECEIVER INSULATION ONLY
MX* 1 RECEIVER	MX*-02	\$13,110	(1) 10.75" X 60.00"	\$2,130	
	MX*-04	\$14,080	(1) 10.75" X 60.00"	\$2,130	
	MX*-06	\$15,830	(1) 12.75" X 72.00"	\$2,300	
	MX*-08	\$17,580	(1) 12.75" X 72.00"	\$2,300	
	MX*-10	\$19,460	(1) 12.75" X 72.00"	\$2,480	
	MX*-12	\$21,220	(1) 12.75" X 72.00"	\$2,670	
	MX*-14	\$22,960	(1) 12.75" X 72.00"	\$2,670	

\* A, C, E, F or K

RECEIVER OPTIONS			RECEIVER CAPACITIES: 80% FULL (LBS)			
FROM RECEIVER SIZE	TO RECEIVER SIZE	UPGRADE PRICE	RECEIVER SIZE	R-404A	R-407 (A / F)	R-448A / R-449A
10.75" X 48.00"	10.75" X 60.00"	\$420	10.75" X 48.00"	114	126	121
10.75" X 60.00"	12.75" X 72.00"	\$780	10.75" X 60.00"	144	159	153
12.75" X 72.00"	14.75" X 96.00"	\$1,250	12.75" X 72.00"	245	270	260
10.75" X 60.00"	14.75" X 96.00"	\$2,010	14.75" X 96.00"	395	435	419
<i>Add to receiver and base frame list price above.</i>						
		DEDUCT \$				
10.75" X 60.00"	10.75" X 48.00"	(\$400)				
12.75" X 72.00"	10.75" X 60.00"	(\$740)				
12.75" X 72.00"	10.75" X 48.00"	(\$1,140)				
<i>Deduct from Receiver and Base Frame List Price Above.</i>						
14.75" X 96.00" Heat and Insulation ****			\$4,410			
Drop Leg Transducer Tap with Pressure Transducer			\$1,610			
Drop Leg Pressure Transducer Tap ONLY			\$330			
Rochester Liquid Level Gauge with Alarm Contact			\$2,940			
Rupture Disc Assembly			\$1,280			

MODEL	ELECTROFIN COATED COIL	**MODULE ISOLATION BALL VALVES	***CLEANABLE COIL FILTER P/N E410114001	42" LEGS
MX*-02	\$3,470	\$1,470	\$3,650	\$200
MX*-04	\$6,930	\$2,940	\$7,300	\$200
MX*-06	\$10,400	\$4,410	\$10,950	\$200
MX*-08	\$13,860	\$5,880	\$14,600	\$400
MX*-10	\$17,330	\$7,350	\$18,250	\$400
MX*-12	\$20,790	\$8,820	\$21,900	\$400
MX*-14	\$24,260	\$10,290	\$25,550	\$500

\*\* Isolation ball valves per module. Isolates the entire module.

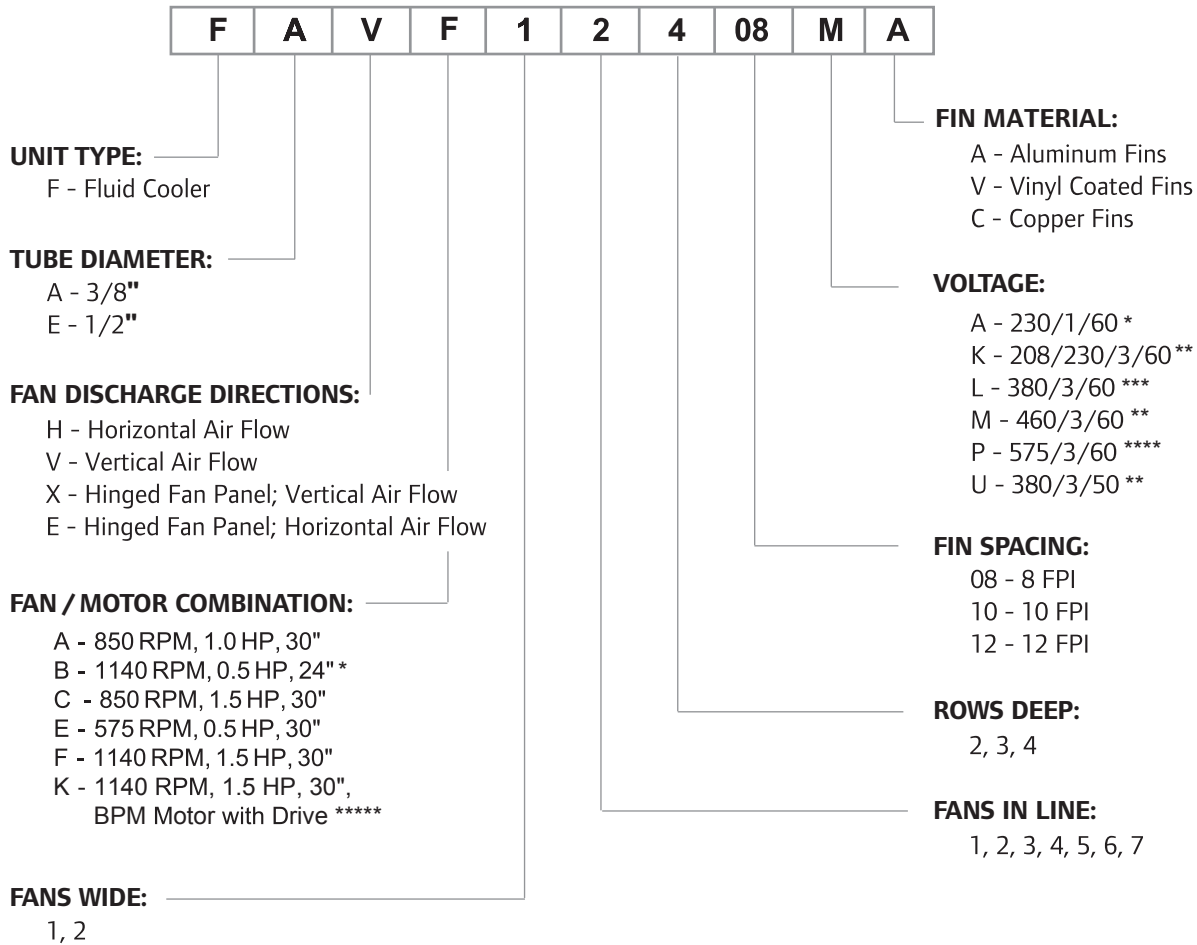
\*\*\* Cleanable air filter per module in a "V" shape.

\*\*\*\* Use the upsized Heating and Insulation pricing if the receiver is also upsized.

### MICROCHANNEL WITH A FACTORY MOUNTED RECEIVER SHIPS WITH NO LEGS STANDARD.



LEVITOR II / FLUID COOLER MODEL KEY



\* FAVB only.  
 \*\* Inverter suitable motor.  
 \*\*\* Contact Application Engineering for quoting.  
 \*\*\*\* Inverter suitable motor on F and A models.  
 \*\*\*\*\* BPM motors are 208-230/3/60 or 460/3/60 only. Gravity dampers should not be used with K motor applications.



LEVITOR II FLUID COOLER MODELS

FAVB - 0.5 HP, 1140 RPM, 24" FAN

ONE FAN WIDE MODELS	LIST PRICE	INTERNAL VOLUME (GAL)	DIMENSIONS (IN)			SHIP WGT (LBS)
			L	W	H*	
FAVB 11208	\$4,950	1.2	45.22	44.55	41.44	178
FAVB 11210	\$5,100	1.2	45.22	44.55	41.44	181
FAVB 11212	\$5,370	1.2	45.22	44.55	41.44	184
FAVB 11308	\$5,260	1.8	45.22	44.55	41.44	180
FAVB 11310	\$5,430	1.8	45.22	44.55	41.44	185
FAVB 11312	\$5,700	1.8	45.22	44.55	41.44	190
FAVB 11408	\$5,590	2.3	45.22	44.55	41.44	193
FAVB 11410	\$5,760	2.3	45.22	44.55	41.44	200
FAVB 11412	\$6,060	2.3	45.22	44.55	41.44	207
FAVB 12208	\$6,900	2.2	81.22	44.55	41.44	346
FAVB 12210	\$7,120	2.2	81.22	44.55	41.44	352
FAVB 12212	\$7,480	2.2	81.22	44.55	41.44	358
FAVB 12308	\$8,380	3.2	81.22	44.55	41.44	362
FAVB 12310	\$8,640	3.2	81.22	44.55	41.44	372
FAVB 12312	\$9,070	3.2	81.22	44.55	41.44	382
FAVB 12408	\$9,450	5.5	81.22	44.55	41.44	386
FAVB 12410	\$9,740	5.5	81.22	44.55	41.44	400
FAVB 12412	\$10,230	5.5	81.22	44.55	41.44	413
FAVB 13308	\$10,200	4.7	117.22	44.55	41.44	544
FAVB 13310	\$10,520	4.7	117.22	44.55	41.44	559
FAVB 13312	\$11,040	4.7	117.22	44.55	41.44	574
FAVB 13408	\$12,830	6.2	117.22	44.55	41.44	580
FAVB 13410	\$13,220	6.2	117.22	44.55	41.44	600
FAVB 13412	\$13,890	6.2	117.22	44.55	41.44	620
FAVB 14308	\$14,790	6.2	153.22	44.55	41.44	820
FAVB 14310	\$15,250	6.2	153.22	44.55	41.44	840
FAVB 14312	\$16,020	6.2	153.22	44.55	41.44	860
FAVB 14408	\$15,120	8.1	153.22	44.55	41.44	873
FAVB 14410	\$15,580	8.1	153.22	44.55	41.44	900
FAVB 14412	\$16,370	8.1	153.22	44.55	41.44	927
FAVB 15308	\$17,910	7.6	189.22	44.55	41.44	836
FAVB 15310	\$18,470	7.6	189.22	44.55	41.44	861
FAVB 15312	\$19,390	7.6	189.22	44.55	41.44	886
FAVB 15408	\$20,040	10.1	189.22	44.55	41.44	917
FAVB 15410	\$20,660	10.1	189.22	44.55	41.44	950
FAVB 15412	\$21,690	10.1	189.22	44.55	41.44	983
FAVB 16308	\$20,130	9.1	225.22	44.55	41.44	1,040
FAVB 16310	\$20,750	9.1	225.22	44.55	41.44	1,070
FAVB 16312	\$21,790	9.1	225.22	44.55	41.44	1,100
FAVB 16408	\$23,330	12.0	225.22	44.55	41.44	1,110
FAVB 16410	\$24,050	12.0	225.22	44.55	41.44	1,150
FAVB 16412	\$25,260	12.0	225.22	44.55	41.44	1,190
FAVB 17308	\$24,310	10.6	261.22	44.55	41.44	1,314
FAVB 17310	\$25,060	10.6	261.22	44.55	41.44	1,349
FAVB 17312	\$26,300	10.6	261.22	44.55	41.44	1,384
FAVB 17408	\$28,610	14.0	261.22	44.55	41.44	1,404
FAVB 17410	\$29,480	14.0	261.22	44.55	41.44	1,450
FAVB 17412	\$30,960	14.0	261.22	44.55	41.44	1,497

TWO FAN WIDE MODELS	LIST PRICE	INTERNAL VOLUME (GAL)	DIMENSIONS (IN)			SHIP WGT (LBS)
			L	W	H**	
-	-	-	-	-	-	-
-	-	-	-	-	-	-
-	-	-	-	-	-	-
-	-	-	-	-	-	-
-	-	-	-	-	-	-
-	-	-	-	-	-	-
-	-	-	-	-	-	-
-	-	-	-	-	-	-
-	-	-	-	-	-	-
FAVB 22208	\$13,740	4.2	81.22	87.62	41.44	642
FAVB 22210	\$14,160	4.2	81.22	87.62	41.44	654
FAVB 22212	\$14,870	4.2	81.22	87.62	41.44	666
FAVB 22308	\$16,680	6.3	81.22	87.62	41.44	845
FAVB 22310	\$17,190	6.3	81.22	87.62	41.44	865
FAVB 22312	\$18,050	6.3	81.22	87.62	41.44	885
FAVB 22408	\$18,800	8.4	81.22	87.62	41.44	895
FAVB 22410	\$19,370	8.4	81.22	87.62	41.44	923
FAVB 22412	\$20,350	8.4	81.22	87.62	41.44	953
FAVB 23308	\$20,280	9.2	117.22	87.62	41.44	1,088
FAVB 23310	\$20,910	9.2	117.22	87.62	41.44	1,118
FAVB 23312	\$21,950	9.2	117.22	87.62	41.44	1,148
FAVB 23408	\$25,500	12.3	117.22	87.62	41.44	1,185
FAVB 23410	\$26,280	12.3	117.22	87.62	41.44	1,225
FAVB 23412	\$27,620	12.3	117.22	87.62	41.44	1,265
FAVB 24308	\$29,430	12.1	153.22	87.62	41.44	1,665
FAVB 24310	\$30,330	12.1	153.22	87.62	41.44	1,705
FAVB 24312	\$31,870	12.1	153.22	87.62	41.44	1,745
FAVB 24408	\$30,070	16.1	153.22	87.62	41.44	1,771
FAVB 24410	\$31,010	16.1	153.22	87.62	41.44	1,825
FAVB 24412	\$32,560	16.1	153.22	87.62	41.44	1,880
FAVB 25308	\$35,640	15.1	189.22	87.62	41.44	1,672
FAVB 25310	\$36,740	15.1	189.22	87.62	41.44	1,722
FAVB 25312	\$38,570	15.1	189.22	87.62	41.44	1,772
FAVB 25408	\$39,870	20.1	189.22	87.62	41.44	1,859
FAVB 25410	\$41,110	20.1	189.22	87.62	41.44	1,925
FAVB 25412	\$43,170	20.1	189.22	87.62	41.44	1,991
FAVB 26308	\$40,060	18.1	225.22	87.62	41.44	2,035
FAVB 26310	\$41,290	18.1	225.22	87.62	41.44	2,095
FAVB 26312	\$43,350	18.1	225.22	87.62	41.44	2,155
FAVB 26408	\$46,420	24.0	225.22	87.62	41.44	2,145
FAVB 26410	\$47,850	24.0	225.22	87.62	41.44	2,225
FAVB 26412	\$50,250	24.0	225.22	87.62	41.44	2,305
FAVB 27308	\$48,370	21.0	261.22	87.62	41.44	2,655
FAVB 27310	\$49,860	21.0	261.22	87.62	41.44	2,725
FAVB 27312	\$52,360	21.0	261.22	87.62	41.44	2,795
FAVB 27408	\$56,910	27.9	261.22	87.62	41.44	2,835
FAVB 27410	\$58,670	27.9	261.22	87.62	41.44	2,925
FAVB 27412	\$61,610	27.9	261.22	87.62	41.44	3,015

\* Height includes 18 inch legs.

Prices for Horizontal and Vertical Air Flow are the same. Substitute 'H' for 'V' in the Model Number.



LEVITOR II FLUID COOLER MODEL OPTIONS

FAVB (0.5 HP, 1140 RPM, 24" FAN) COATING AND SPECIAL FIN OPTION PRICING

ONE FAN WIDE MODELS	ELECTROFIN COATED COIL	POLYESTER FIN COATING *	COPPER FIN	TWO FAN WIDE MODELS	ELECTROFIN COATED COIL	POLYESTER FIN COATING *	COPPER FIN
FAVB 11208	\$930	\$760	\$1,820	-	-	-	-
FAVB 11210	\$930	\$780	\$1,880	-	-	-	-
FAVB 11212	\$930	\$800	\$1,930	-	-	-	-
FAVB 11308	\$1,040	\$830	\$1,920	-	-	-	-
FAVB 11310	\$1,040	\$860	\$1,980	-	-	-	-
FAVB 11312	\$1,040	\$880	\$2,050	-	-	-	-
FAVB 11408	\$1,070	\$870	\$2,060	-	-	-	-
FAVB 11410	\$1,070	\$890	\$2,120	-	-	-	-
FAVB 11412	\$1,070	\$920	\$2,170	-	-	-	-
FAVB 12208	\$1,280	\$1,040	\$2,550	FAVB 22208	\$2,580	\$2,090	\$5,030
FAVB 12210	\$1,280	\$1,070	\$2,630	FAVB 22210	\$2,580	\$2,150	\$5,190
FAVB 12212	\$1,280	\$1,110	\$2,710	FAVB 22212	\$2,580	\$2,220	\$5,340
FAVB 12308	\$1,560	\$1,260	\$3,070	FAVB 22308	\$3,120	\$2,520	\$6,120
FAVB 12310	\$1,560	\$1,300	\$3,170	FAVB 22310	\$3,120	\$2,600	\$6,310
FAVB 12312	\$1,560	\$1,340	\$3,260	FAVB 22312	\$3,120	\$2,680	\$6,500
FAVB 12408	\$1,760	\$1,430	\$3,470	FAVB 22408	\$3,530	\$2,850	\$6,900
FAVB 12410	\$1,760	\$1,470	\$3,570	FAVB 22410	\$3,530	\$2,940	\$7,110
FAVB 12412	\$1,760	\$1,520	\$3,680	FAVB 22412	\$3,530	\$3,020	\$7,330
FAVB 13308	\$1,910	\$1,550	\$3,760	FAVB 23308	\$3,820	\$3,090	\$7,430
FAVB 13310	\$1,910	\$1,600	\$3,860	FAVB 23310	\$3,820	\$3,190	\$7,670
FAVB 13312	\$1,910	\$1,640	\$3,980	FAVB 23312	\$3,820	\$3,280	\$7,900
FAVB 13408	\$2,390	\$1,930	\$4,700	FAVB 23408	\$4,800	\$3,890	\$9,360
FAVB 13410	\$2,390	\$2,000	\$4,850	FAVB 23410	\$4,800	\$4,000	\$9,640
FAVB 13412	\$2,390	\$2,060	\$5,000	FAVB 23412	\$4,800	\$4,130	\$9,930
FAVB 14308	\$2,860	\$2,230	\$5,420	FAVB 24308	\$5,500	\$4,450	\$10,780
FAVB 14310	\$2,860	\$2,290	\$5,580	FAVB 24310	\$5,500	\$4,590	\$11,120
FAVB 14312	\$2,860	\$2,360	\$5,750	FAVB 24312	\$5,500	\$4,740	\$11,460
FAVB 14408	\$2,800	\$2,270	\$5,550	FAVB 24408	\$5,610	\$4,540	\$11,030
FAVB 14410	\$2,800	\$2,340	\$5,720	FAVB 24410	\$5,610	\$4,670	\$11,360
FAVB 14412	\$2,800	\$2,400	\$5,900	FAVB 24412	\$5,610	\$4,820	\$11,710
FAVB 15308	\$3,340	\$2,700	\$6,570	FAVB 25308	\$6,670	\$5,400	\$13,060
FAVB 15310	\$3,340	\$2,780	\$6,770	FAVB 25310	\$6,670	\$5,550	\$13,460
FAVB 15312	\$3,340	\$2,860	\$6,970	FAVB 25312	\$6,670	\$5,730	\$13,870
FAVB 15408	\$3,740	\$3,010	\$7,350	FAVB 25408	\$7,460	\$6,040	\$14,620
FAVB 15410	\$3,740	\$3,110	\$7,570	FAVB 25410	\$7,460	\$6,220	\$15,070
FAVB 15412	\$3,740	\$3,200	\$7,800	FAVB 25412	\$7,460	\$6,410	\$15,520
FAVB 16308	\$3,750	\$3,020	\$7,380	FAVB 26308	\$7,490	\$6,060	\$14,670
FAVB 16310	\$3,750	\$3,120	\$7,610	FAVB 26310	\$7,490	\$6,240	\$15,120
FAVB 16312	\$3,750	\$3,210	\$7,830	FAVB 26312	\$7,490	\$6,430	\$15,580
FAVB 16408	\$4,340	\$3,510	\$8,560	FAVB 26408	\$8,670	\$7,010	\$17,010
FAVB 16410	\$4,340	\$3,610	\$8,820	FAVB 26410	\$8,670	\$7,220	\$17,520
FAVB 16412	\$4,340	\$3,730	\$9,090	FAVB 26412	\$8,670	\$7,440	\$18,060
FAVB 17308	\$4,540	\$3,660	\$8,900	FAVB 27308	\$9,050	\$7,330	\$17,720
FAVB 17310	\$4,540	\$3,780	\$9,180	FAVB 27310	\$9,050	\$7,550	\$18,280
FAVB 17312	\$4,540	\$3,900	\$9,450	FAVB 27312	\$9,050	\$7,780	\$18,830
FAVB 17408	\$5,320	\$4,310	\$10,500	FAVB 27408	\$10,630	\$8,590	\$20,850
FAVB 17410	\$5,320	\$4,430	\$10,820	FAVB 27410	\$10,630	\$8,850	\$21,500
FAVB 17412	\$5,320	\$4,570	\$11,140	FAVB 27412	\$10,630	\$9,140	\$22,140

\* Polyester fin coating is a vinyl coated fin material

Prices for Horizontal and Vertical Air Flow are the same.



LEVITOR II FLUID COOLER MODELS

FEVA, FEVC, FEVE, FEVF - Except FEVB

ONE FAN WIDE MODELS	LIST PRICE	DIMENSIONS (IN)			SHIP WGT (LBS)	TWO FAN WIDE MODELS	LIST PRICE	DIMENSIONS (IN)			SHIP WGT (LBS)
		L	W	H **				L	W	H **	
FEV* 11208	\$6,910	63.85	45.25	54.00	437	-	-	-	-	-	-
FEV* 11210	\$7,000	63.85	45.25	54.00	439	-	-	-	-	-	-
FEV* 11212	\$7,090	63.85	45.25	54.00	444	-	-	-	-	-	-
FEV* 11308	\$7,490	63.85	45.25	54.00	466	-	-	-	-	-	-
FEV* 11310	\$7,560	63.85	45.25	54.00	469	-	-	-	-	-	-
FEV* 11312	\$7,670	63.85	45.25	54.00	478	-	-	-	-	-	-
FEV* 11408	\$7,740	63.85	45.25	54.00	495	-	-	-	-	-	-
FEV* 11410	\$7,820	63.85	45.25	54.00	499	-	-	-	-	-	-
FEV* 11412	\$7,930	63.85	45.25	54.00	508	-	-	-	-	-	-
FEV* 12208	\$9,840	117.85	45.25	58.50	718	FEV* 22208	\$19,570	117.85	90.50	58.50	1,311
FEV* 12210	\$10,020	117.85	45.25	58.50	721	FEV* 22210	\$19,910	117.85	90.50	58.50	1,320
FEV* 12212	\$10,190	117.85	45.25	58.50	729	FEV* 22212	\$20,250	117.85	90.50	58.50	1,336
FEV* 12308	\$10,530	117.85	45.25	58.50	773	FEV* 22308	\$20,940	117.85	90.50	58.50	1,437
FEV* 12310	\$10,740	117.85	45.25	58.50	779	FEV* 22310	\$21,380	117.85	90.50	58.50	1,425
FEV* 12312	\$11,170	117.85	45.25	58.50	792	FEV* 22312	\$22,210	117.85	90.50	58.50	1,462
FEV* 12408	\$13,160	117.85	45.25	58.50	830	FEV* 22408	\$26,160	117.85	90.50	58.50	1,539
FEV* 12410	\$13,690	117.85	45.25	58.50	838	FEV* 22410	\$27,240	117.85	90.50	58.50	1,555
FEV* 12412	\$14,240	117.85	45.25	58.50	855	FEV* 22412	\$28,320	117.85	90.50	58.50	1,588
FEV* 13210	\$15,000	171.85	45.25	58.50	1,041	FEV* 23210	\$29,850	171.85	90.50	58.50	1,875
FEV* 13212	\$15,350	171.85	45.25	58.50	1,060	FEV* 23212	\$30,560	171.85	90.50	58.50	1,912
FEV* 13308	\$15,710	171.85	45.25	58.50	1,126	FEV* 23308	\$31,240	171.85	90.50	58.50	2,044
FEV* 13310	\$16,040	171.85	45.25	58.50	1,135	FEV* 23310	\$31,900	171.85	90.50	58.50	2,063
FEV* 13312	\$16,600	171.85	45.25	58.50	1,153	FEV* 23312	\$33,010	171.85	90.50	58.50	2,100
FEV* 13408	\$18,680	171.85	45.25	58.50	1,210	FEV* 23408	\$37,720	171.85	90.50	58.50	2,214
FEV* 13410	\$19,450	171.85	45.25	58.50	1,223	FEV* 23410	\$38,680	171.85	90.50	58.50	2,238
FEV* 13412	\$20,220	171.85	45.25	58.50	1,247	FEV* 23412	\$40,240	171.85	90.50	58.50	2,287
FEV* 14308	\$21,040	225.85	45.25	58.50	1,437	FEV* 24308	\$41,860	225.85	90.50	58.50	2,526
FEV* 14310	\$21,240	225.85	45.25	58.50	1,449	FEV* 24310	\$42,250	225.85	90.50	58.50	2,651
FEV* 14312	\$22,060	225.85	45.25	58.50	1,474	FEV* 24312	\$43,900	225.85	90.50	58.50	2,700
FEV* 14408	\$24,920	225.85	45.25	58.50	1,550	FEV* 24408	\$49,590	225.85	90.50	58.50	2,851
FEV* 14410	\$25,550	225.85	45.25	58.50	1,566	FEV* 24410	\$50,820	225.85	90.50	58.50	2,884
FEV* 14412	\$26,910	225.85	45.25	58.50	1,599	FEV* 24412	\$53,530	225.85	90.50	58.50	2,950
FEV* 15308	\$29,910	279.85	45.25	58.50	2,020	FEV* 25308	\$59,470	279.85	90.50	64.00	3,725
FEV* 15310	\$30,330	279.85	45.25	58.50	2,035	FEV* 25310	\$60,340	279.85	90.50	64.00	3,755
FEV* 15312	\$30,770	279.85	45.25	58.50	2,066	FEV* 25312	\$61,180	279.85	90.50	64.00	3,817
FEV* 15408	\$31,150	279.85	45.25	58.50	2,160	FEV* 25408	\$62,020	279.85	90.50	64.00	4,005
FEV* 15410	\$32,480	279.85	45.25	58.50	2,181	FEV* 25410	\$64,630	279.85	90.50	64.00	4,046
FEV* 15412	\$33,800	279.85	45.25	58.50	2,222	FEV* 25412	\$67,240	279.85	90.50	64.00	4,129
FEV* 16308	\$34,430	333.85	45.25	58.50	2,554	FEV* 26308	\$68,510	333.85	90.50	64.00	4,759
FEV* 16310	\$34,930	333.85	45.25	58.50	2,573	FEV* 26310	\$69,510	333.85	90.50	64.00	4,796
FEV* 16312	\$35,450	333.85	45.25	58.50	2,610	FEV* 26312	\$70,520	333.85	90.50	64.00	4,870
FEV* 16408	\$35,950	333.85	45.25	58.50	2,784	FEV* 26408	\$71,550	333.85	90.50	64.00	5,218
FEV* 16410	\$36,480	333.85	45.25	58.50	2,808	FEV* 26410	\$72,560	333.85	90.50	64.00	5,268
FEV* 16412	\$36,960	333.85	45.25	58.50	2,858	FEV* 26412	\$73,550	333.85	90.50	64.00	5,366
FEV* 17308	\$40,990	387.85	45.25	58.50	3,020	FEV* 27308	\$80,450	387.85	90.50	64.00	5,691
FEV* 17310	\$41,590	387.85	45.25	58.50	3,042	FEV* 27310	\$81,620	387.85	90.50	64.00	5,734
FEV* 17312	\$42,170	387.85	45.25	58.50	3,088	FEV* 27312	\$83,980	387.85	90.50	64.00	5,826
FEV* 17408	\$42,760	387.85	45.25	58.50	3,279	FEV* 27408	\$85,130	387.85	90.50	64.00	6,208
FEV* 17410	\$43,370	387.85	45.25	58.50	3,307	FEV* 27410	\$86,340	387.85	90.50	64.00	6,266
FEV* 17412	\$43,970	387.85	45.25	58.50	3,366	FEV* 27412	\$87,570	387.85	90.50	64.00	6,382

\* A,C,E,F to specify fans as:

\*\* Height includes 22 inch legs.

- A = 1.0 HP, 850 RPM
- C = 1.5 HP, 850 RPM
- E = 0.5 HP, 575 RPM
- F = 1.5 HP, 1140 RPM





LEVITOR II FLUID COOLER MODELS

FEVK - 1.5 HP 1140 RPM BPM MOTOR and PANEL MOUNTED DRIVE

ONE FAN WIDE MODELS	LIST PRICE	DIMENSIONS (IN)			SHIP WGT (LBS)	TWO FAN WIDE MODELS	LIST PRICE	DIMENSIONS (IN)			SHIP WGT (LBS)
		L	W	H*				L	W	H*	
FEVK 11208	\$9,860	66.75	45.25	58.50	437	-	-	-	-	-	-
FEVK 11210	\$9,950	66.75	45.25	58.50	439	-	-	-	-	-	-
FEVK 11212	\$10,040	66.75	45.25	58.50	444	-	-	-	-	-	-
FEVK 11308	\$10,450	66.75	45.25	58.50	466	-	-	-	-	-	-
FEVK 11310	\$10,510	66.75	45.25	58.50	469	-	-	-	-	-	-
FEVK 11312	\$10,620	66.75	45.25	58.50	478	-	-	-	-	-	-
FEVK 11408	\$10,700	66.75	45.25	58.50	495	-	-	-	-	-	-
FEVK 11410	\$10,770	66.75	45.25	58.50	499	-	-	-	-	-	-
FEVK 11412	\$10,890	66.75	45.25	58.50	508	-	-	-	-	-	-
FEVK 12208	\$14,480	120.75	45.25	63.00	718	FEVK 22208	\$27,780	120.75	90.50	63.00	1,311
FEVK 12210	\$14,660	120.75	45.25	63.00	721	FEVK 22210	\$28,130	120.75	90.50	63.00	1,320
FEVK 12212	\$14,830	120.75	45.25	63.00	729	FEVK 22212	\$28,480	120.75	90.50	63.00	1,336
FEVK 12308	\$15,170	120.75	45.25	63.00	773	FEVK 22308	\$29,150	120.75	90.50	63.00	1,437
FEVK 12310	\$15,380	120.75	45.25	63.00	779	FEVK 22310	\$29,600	120.75	90.50	63.00	1,425
FEVK 12312	\$15,810	120.75	45.25	63.00	792	FEVK 22312	\$30,430	120.75	90.50	63.00	1,462
FEVK 12408	\$17,800	120.75	45.25	63.00	830	FEVK 22408	\$34,370	120.75	90.50	63.00	1,539
FEVK 12410	\$18,330	120.75	45.25	63.00	838	FEVK 22410	\$35,450	120.75	90.50	63.00	1,555
FEVK 12412	\$18,880	120.75	45.25	63.00	855	FEVK 22412	\$36,530	120.75	90.50	63.00	1,588
FEVK 13210	\$21,330	174.75	45.25	63.00	1,041	FEVK 23210	\$42,150	174.75	90.50	63.00	1,875
FEVK 13212	\$21,670	174.75	45.25	63.00	1,060	FEVK 23212	\$42,840	174.75	90.50	63.00	1,912
FEVK 13308	\$22,020	174.75	45.25	63.00	1,126	FEVK 23308	\$43,530	174.75	90.50	63.00	2,044
FEVK 13310	\$22,360	174.75	45.25	63.00	1,135	FEVK 23310	\$44,180	174.75	90.50	63.00	2,063
FEVK 13312	\$22,910	174.75	45.25	63.00	1,153	FEVK 23312	\$45,300	174.75	90.50	63.00	2,100
FEVK 13408	\$25,000	174.75	45.25	63.00	1,210	FEVK 23408	\$50,010	174.75	90.50	63.00	2,214
FEVK 13410	\$25,770	174.75	45.25	63.00	1,223	FEVK 23410	\$50,970	174.75	90.50	63.00	2,238
FEVK 13412	\$26,540	174.75	45.25	63.00	1,247	FEVK 23412	\$52,530	174.75	90.50	63.00	2,287
FEVK 14308	\$29,260	228.75	45.25	63.00	1,437	FEVK 24308	\$57,130	228.75	90.50	63.00	2,526
FEVK 14310	\$29,450	228.75	45.25	63.00	1,449	FEVK 24310	\$57,520	228.75	90.50	63.00	2,651
FEVK 14312	\$30,270	228.75	45.25	63.00	1,474	FEVK 24312	\$59,170	228.75	90.50	63.00	2,700
FEVK 14408	\$33,140	228.75	45.25	63.00	1,550	FEVK 24408	\$64,850	228.75	90.50	63.00	2,851
FEVK 14410	\$33,760	228.75	45.25	63.00	1,566	FEVK 24410	\$66,090	228.75	90.50	63.00	2,884
FEVK 14412	\$35,120	228.75	45.25	63.00	1,599	FEVK 24412	\$68,800	228.75	90.50	63.00	2,950
FEVK 15308	\$40,520	274.00	56.00	63.00	2,020	FEVK 25308	\$77,700	274.00	90.50	63.00	3,725
FEVK 15310	\$40,950	274.00	56.00	63.00	2,035	FEVK 25310	\$78,570	274.00	90.50	63.00	3,755
FEVK 15312	\$41,370	274.00	56.00	63.00	2,066	FEVK 25312	\$79,410	274.00	90.50	63.00	3,817
FEVK 15408	\$41,770	274.00	56.00	63.00	2,160	FEVK 25408	\$80,250	274.00	90.50	63.00	4,005
FEVK 15410	\$43,090	274.00	56.00	63.00	2,181	FEVK 25410	\$82,860	274.00	90.50	63.00	4,046
FEVK 15412	\$44,410	274.00	56.00	63.00	2,222	FEVK 25412	\$85,470	274.00	90.50	63.00	4,129
FEVK 16308	\$46,730	328.00	56.00	63.00	2,554	FEVK 26308	\$89,700	328.00	90.50	63.00	4,759
FEVK 16310	\$47,220	328.00	56.00	63.00	2,573	FEVK 26310	\$90,700	328.00	90.50	63.00	4,796
FEVK 16312	\$47,730	328.00	56.00	63.00	2,610	FEVK 26312	\$91,720	328.00	90.50	63.00	4,870
FEVK 16408	\$48,240	328.00	56.00	63.00	2,784	FEVK 26408	\$92,750	328.00	90.50	63.00	5,218
FEVK 16410	\$48,760	328.00	56.00	63.00	2,808	FEVK 26410	\$93,740	328.00	90.50	63.00	5,268
FEVK 16412	\$49,260	328.00	56.00	63.00	2,858	FEVK 26412	\$94,750	328.00	90.50	63.00	5,366
FEVK 17308	\$54,970	382.00	56.00	63.00	3,020	FEVK 27308	\$104,610	382.00	90.50	63.00	5,757
FEVK 17310	\$55,580	382.00	56.00	63.00	3,042	FEVK 27310	\$105,780	382.00	90.50	63.00	5,794
FEVK 17312	\$56,150	382.00	56.00	63.00	3,088	FEVK 27312	\$108,130	382.00	90.50	63.00	5,868
FEVK 17408	\$56,730	382.00	56.00	63.00	3,279	FEVK 27408	\$109,300	382.00	90.50	63.00	6,216
FEVK 17410	\$57,340	382.00	56.00	63.00	3,307	FEVK 27410	\$110,500	382.00	90.50	63.00	6,266
FEVK 17412	\$57,950	382.00	56.00	63.00	3,366	FEVK 27412	\$111,730	382.00	90.50	63.00	6,364

\* Height includes 22 inch legs.

Gravity dampers should not be used with K motor applications.



LEVITOR II FLUID COOLER MODEL OPTIONS

FEV - COIL COATING and SPECIAL FIN OPTION PRICING FOR ALL MODELS (A, C, E, F, or K) - Except FEVB

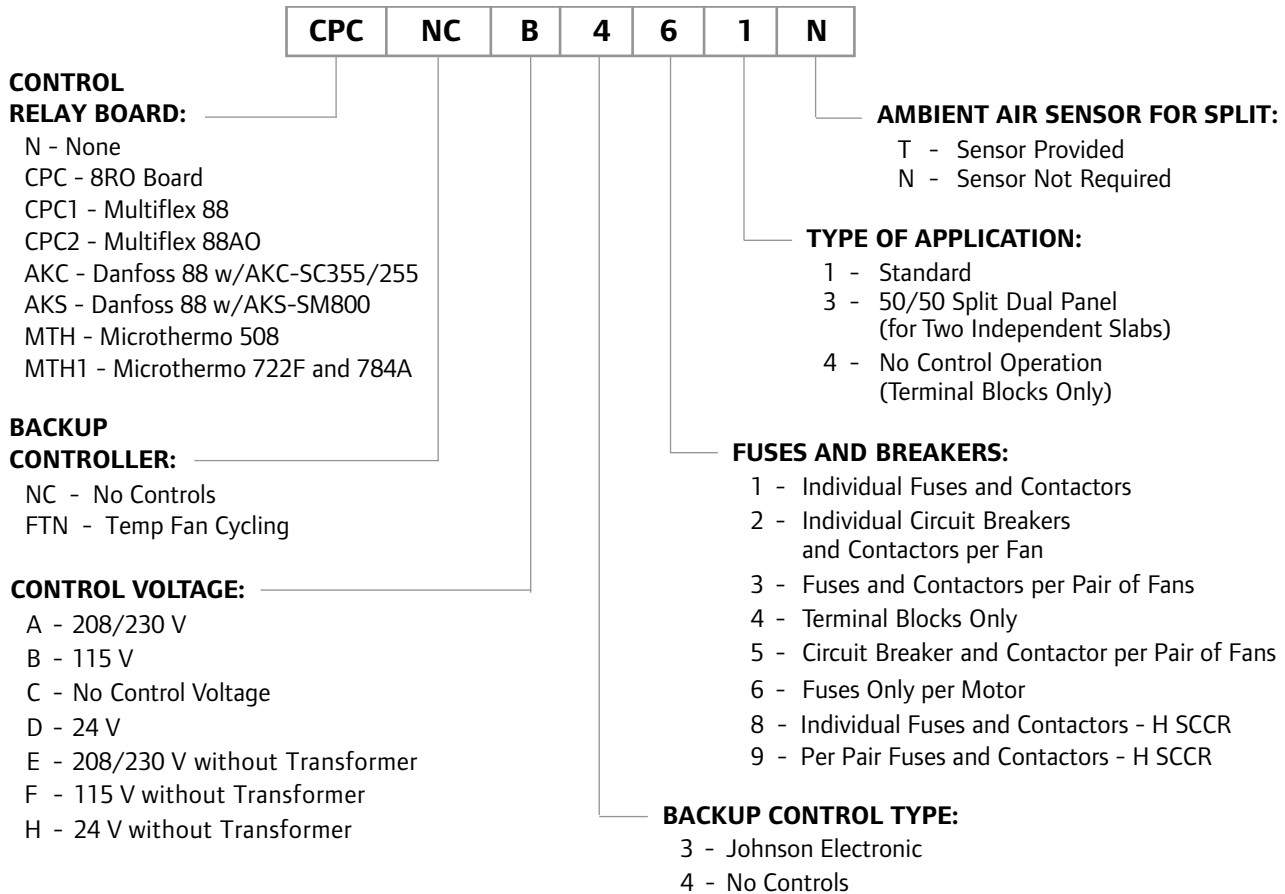
ONE FAN WIDE MODELS	INTERNAL VOLUME (GAL)	DIMENSIONS (IN)			SHIP WGT (LBS)	ELECTROFIN COATED COIL	POLYESTER FIN COATING**	COPPER FIN	TWO FAN WIDE MODELS	INTERNAL VOLUME (GAL)	DIMENSIONS (IN)			SHIP WGT (LBS)	ELECTROFIN COATED COIL	POLYESTER FIN COATING**	COPPER FIN
		L	W	H							L	W	H				
FEV*11208	3.7	63.85	45.25	54.00	437	\$1,250	\$1,030	\$2,770	-	-	-	-	-	-	-	-	
FEV*11210	3.7	63.85	45.25	54.00	439	\$1,250	\$1,040	\$2,760	-	-	-	-	-	-	-	-	
FEV*11212	3.7	63.85	45.25	54.00	444	\$1,250	\$1,050	\$2,760	-	-	-	-	-	-	-	-	
FEV*11308	5.3	63.85	45.25	54.00	466	\$1,370	\$1,110	\$2,910	-	-	-	-	-	-	-	-	
FEV*11310	5.3	63.85	45.25	54.00	469	\$1,370	\$1,130	\$2,970	-	-	-	-	-	-	-	-	
FEV*11312	5.3	63.85	45.25	54.00	478	\$1,370	\$1,160	\$3,050	-	-	-	-	-	-	-	-	
FEV*11408	6.9	63.85	45.25	54.00	495	\$1,420	\$1,170	\$3,080	-	-	-	-	-	-	-	-	
FEV*11410	6.9	63.85	45.25	54.00	499	\$1,420	\$1,180	\$3,110	-	-	-	-	-	-	-	-	
FEV*11412	6.9	63.85	45.25	54.00	508	\$1,420	\$1,190	\$3,150	-	-	-	-	-	-	-	-	
FEV*12208	6.6	117.85	45.25	58.50	718	\$1,790	\$1,460	\$3,900	FEV*22208	12.8	117.85	90.50	58.50	1,311	\$3,540	\$2,910	\$7,750
FEV*12210	6.6	117.85	45.25	58.50	721	\$1,790	\$1,480	\$3,960	FEV*22210	12.8	117.85	90.50	58.50	1,320	\$3,540	\$2,950	\$7,850
FEV*12212	6.6	117.85	45.25	58.50	729	\$1,790	\$1,510	\$4,000	FEV*22212	12.8	117.85	90.50	58.50	1,336	\$3,540	\$2,980	\$7,990
FEV*12308	9.7	117.85	45.25	58.50	773	\$1,910	\$1,580	\$4,190	FEV*22308	19.1	117.85	90.50	58.50	1,425	\$3,800	\$3,100	\$8,330
FEV*12310	9.7	117.85	45.25	58.50	779	\$1,910	\$1,600	\$4,240	FEV*22310	19.1	117.85	90.50	58.50	1,437	\$3,800	\$3,170	\$8,440
FEV*12312	9.7	117.85	45.25	58.50	792	\$1,910	\$1,650	\$4,370	FEV*22312	19.1	117.85	90.50	58.50	1,462	\$3,800	\$3,300	\$8,680
FEV*12408	12.8	117.85	45.25	58.50	830	\$2,440	\$1,930	\$5,200	FEV*22408	25.3	117.85	90.50	58.50	1,539	\$4,820	\$3,860	\$10,320
FEV*12410	12.8	117.85	45.25	58.50	838	\$2,440	\$2,030	\$5,360	FEV*22410	25.3	117.85	90.50	58.50	1,555	\$4,820	\$4,020	\$10,650
FEV*12412	12.8	117.85	45.25	58.50	855	\$2,440	\$2,120	\$5,640	FEV*22412	25.3	117.85	90.50	58.50	1,588	\$4,820	\$4,180	\$11,190
FEV*13210	9.6	171.85	45.25	58.50	1,041	\$2,680	\$2,230	\$5,950	FEV*23210	18.7	171.85	90.50	58.50	1,875	\$5,290	\$4,410	\$11,790
FEV*13212	9.6	171.85	45.25	58.50	1,060	\$2,680	\$2,270	\$6,020	FEV*23212	18.7	171.85	90.50	58.50	1,912	\$5,290	\$4,520	\$11,990
FEV*13308	14.1	171.85	45.25	58.50	1,126	\$2,850	\$2,310	\$6,150	FEV*23308	27.9	171.85	90.50	58.50	2,044	\$5,650	\$4,610	\$12,200
FEV*13310	14.1	171.85	45.25	58.50	1,135	\$2,850	\$2,370	\$6,310	FEV*23310	27.9	171.85	90.50	58.50	2,063	\$5,650	\$4,700	\$12,550
FEV*13312	14.1	171.85	45.25	58.50	1,153	\$2,850	\$2,460	\$6,520	FEV*23312	27.9	171.85	90.50	58.50	2,100	\$5,650	\$4,870	\$13,000
FEV*13408	18.7	171.85	45.25	58.50	1,210	\$3,440	\$2,770	\$7,370	FEV*23408	37.1	171.85	90.50	58.50	2,214	\$6,870	\$5,550	\$14,860
FEV*13410	18.7	171.85	45.25	58.50	1,223	\$3,440	\$2,880	\$7,650	FEV*23410	37.1	171.85	90.50	58.50	2,238	\$6,870	\$5,720	\$15,190
FEV*13412	18.7	171.85	45.25	58.50	1,247	\$3,440	\$2,980	\$7,960	FEV*23412	37.1	171.85	90.50	58.50	2,287	\$6,870	\$5,930	\$15,810
FEV*14308	18.6	225.85	45.25	58.50	1,437	\$3,760	\$3,110	\$8,260	FEV*24308	36.7	225.85	90.50	58.50	2,526	\$7,470	\$6,180	\$16,440
FEV*14310	18.6	225.85	45.25	58.50	1,449	\$3,760	\$3,130	\$8,310	FEV*24310	36.7	225.85	90.50	58.50	2,651	\$7,470	\$6,230	\$16,520
FEV*14312	18.6	225.85	45.25	58.50	1,474	\$3,760	\$3,260	\$8,700	FEV*24312	36.7	225.85	90.50	58.50	2,700	\$7,470	\$6,480	\$17,280
FEV*14408	24.6	225.85	45.25	58.50	1,550	\$4,540	\$3,660	\$9,770	FEV*24408	48.8	225.85	90.50	58.50	2,851	\$9,000	\$7,310	\$19,420
FEV*14410	24.6	225.85	45.25	58.50	1,566	\$4,540	\$3,780	\$10,020	FEV*24410	48.8	225.85	90.50	58.50	2,884	\$9,000	\$7,500	\$19,920
FEV*14412	24.6	225.85	45.25	58.50	1,599	\$4,540	\$3,980	\$10,610	FEV*24412	48.8	225.85	90.50	58.50	2,950	\$9,000	\$7,900	\$21,130
FEV*15308	22.9	279.85	45.25	58.50	2,020	\$5,380	\$4,420	\$11,730	FEV*25308	45.6	279.85	90.50	64.00	3,725	\$10,680	\$8,770	\$23,360
FEV*15310	22.9	279.85	45.25	58.50	2,035	\$5,380	\$4,470	\$11,880	FEV*25310	45.6	279.85	90.50	64.00	3,755	\$10,680	\$8,900	\$23,610
FEV*15312	22.9	279.85	45.25	58.50	2,066	\$5,380	\$4,550	\$12,120	FEV*25312	45.6	279.85	90.50	64.00	3,817	\$10,680	\$9,120	\$24,080
FEV*15408	30.5	279.85	45.25	58.50	2,160	\$5,750	\$4,600	\$12,260	FEV*25408	60.7	279.85	90.50	64.00	4,005	\$11,450	\$9,140	\$24,380
FEV*15410	30.5	279.85	45.25	58.50	2,181	\$5,750	\$4,800	\$12,780	FEV*25410	60.7	279.85	90.50	64.00	4,046	\$11,450	\$9,530	\$25,420
FEV*15412	30.5	279.85	45.25	58.50	2,222	\$5,750	\$4,980	\$13,260	FEV*25412	60.7	279.85	90.50	64.00	4,129	\$11,450	\$9,910	\$26,370
FEV*16308	27.4	333.85	45.25	58.50	2,554	\$6,300	\$5,180	\$13,790	FEV*26308	54.6	333.85	90.50	64.00	4,759	\$12,520	\$10,300	\$27,440
FEV*16310	27.4	333.85	45.25	58.50	2,573	\$6,300	\$5,250	\$13,950	FEV*26310	54.6	333.85	90.50	64.00	4,796	\$12,520	\$10,430	\$27,740
FEV*16312	27.4	333.85	45.25	58.50	2,610	\$6,300	\$5,340	\$14,230	FEV*26312	54.6	333.85	90.50	64.00	4,870	\$12,520	\$10,590	\$28,280
FEV*16408	36.4	333.85	45.25	58.50	2,784	\$6,590	\$5,410	\$14,400	FEV*26408	72.5	333.85	90.50	64.00	5,218	\$13,060	\$10,740	\$28,660
FEV*16410	36.4	333.85	45.25	58.50	2,808	\$6,590	\$5,490	\$14,580	FEV*26410	72.5	333.85	90.50	64.00	5,268	\$13,060	\$10,890	\$29,010
FEV*16412	36.4	333.85	45.25	58.50	2,858	\$6,590	\$5,540	\$14,750	FEV*26412	72.5	333.85	90.50	64.00	5,366	\$13,060	\$11,040	\$29,320
FEV*17308	31.9	387.85	45.25	58.50	3,020	\$35,340	\$6,000	\$16,040	FEV*27308	63.6	387.85	90.50	64.00	5,691	\$70,680	\$11,820	\$31,890
FEV*17310	31.9	387.85	45.25	58.50	3,042	\$35,340	\$6,030	\$16,030	FEV*27310	63.6	387.85	90.50	64.00	5,734	\$70,680	\$11,960	\$31,870
FEV*17312	31.9	387.85	45.25	58.50	3,088	\$35,340	\$6,130	\$16,300	FEV*27312	63.6	387.85	90.50	64.00	5,826	\$70,680	\$12,120	\$32,410
FEV*17408	42.3	387.85	45.25	58.50	3,279	\$41,450	\$6,130	\$16,330	FEV*27408	84.3	387.85	90.50	64.00	6,208	\$82,900	\$12,270	\$32,510
FEV*17410	42.3	387.85	45.25	58.50	3,307	\$41,450	\$6,200	\$16,430	FEV*27410	84.3	387.85	90.50	64.00	6,266	\$82,900	\$12,410	\$32,690
FEV*17412	42.3	387.85	45.25	58.50	3,366	\$41,450	\$6,240	\$16,570	FEV*27412	84.3	387.85	90.50	64.00	6,382	\$82,900	\$12,570	\$32,950

\* Substitute letter.

\*\* Polyester fin coating is a vinyl coated fin stock.



**FLUID COOLER CONTROL PANEL NOMENCLATURE**



**Note:**

**FUSES AND BREAKERS:**

1. Only fan motor types A, C, E, and F shall be used for higher SCCR.
2. Options 8 and 9 should only be available for selection when choosing higher SCCR fan motor types A, C, E, or F.
3. Only when selected fan motor types A, C, E, or F and either Fuses and Breakers option 8 or 9 is chosen, then the default Disconnect option should be FRS Fuse and Fuse Block with the option to select a fused disconnect.



**FLUID COOLER CONTROL PANEL and ELECTRICAL INFORMATION**

FAN CONFIGURATION	FTN 311	FTN 331	NC 411	NC 431	NC 461
1 X 1	\$1,300	-	\$1,000	-	\$660
1 X 2	\$1,860	-	\$1,260	-	\$870
1 X 3	\$2,380	-	\$1,330	-	\$880
1 X 4	\$2,930	-	\$1,720	-	\$1,210
1 X 5	\$3,440	-	\$1,960	-	\$1,380
1 X 6	\$3,940	-	\$2,170	-	\$1,530
1 X 7	\$4,450	-	\$2,380	-	\$1,670
2 X 2	\$2,810	\$2,000	\$2,240	\$1,400	\$1,710
2 X 3	\$3,760	\$2,530	\$2,880	\$1,650	\$2,230
2 X 4	\$4,670	\$3,050	\$3,510	\$1,890	\$2,720
2 X 5	\$5,580	\$3,580	\$4,080	\$2,120	\$3,170
2 X 6	\$6,460	\$4,080	\$4,690	\$2,310	\$3,640
2 X 7	\$7,350	\$4,580	\$5,280	\$2,530	\$4,120

FTN Above 130° F Requires High Temperature Control Adder.

FAN CONFIGURATION	FTN *381	FTN *391	NC *481	NC *491
1 X 1	\$2,670		\$2,370	
1 X 2	\$4,340		\$3,740	
1 X 3	\$5,970		\$4,920	
1 X 4	\$7,840		\$6,630	
1 X 5	\$9,460		\$7,980	
1 X 6	\$10,970		\$9,200	
1 X 7	\$12,770		\$10,700	
2 X 2	\$7,720	\$4,480	\$7,150	\$3,880
2 X 3	\$10,790	\$6,120	\$9,910	\$5,240
2 X 4	\$14,100	\$7,960	\$12,940	\$6,800
2 X 5	\$17,460	\$9,600	\$15,960	\$8,140
2 X 6	\$20,750	\$11,110	\$18,980	\$9,340
2 X 7	\$23,860	\$12,900	\$21,790	\$10,850

OPTIONS	ADD \$
50 / 50 Split (2X Only) for Independent Slab Operation	Two 1 x Panels
Phase Loss Monitor	\$1,100
Circuit Breakers: Per Breaker	\$450
NEMA Contactor: Per Contactor	\$390
Mounted <b>Non-Fused</b> Disconnect	\$1,860
Mounted <b>Fused</b> Disconnect (100 Amp or Less)	\$2,070
VFD Power Distribution Block	\$650
115 Volt GFI Outlet (Not Wired)	\$1,070
Control Circuit 10 Amp Disconnect	\$340
High Temperature Fan Cycle Control (Above 130°F)	\$570
NEMA 4 Enclosure with Fan Cycling	\$2,070
NEMA 4 Enclosure with Terminal Blocks	\$790
NEMA 4X Enclosure 24" Fan Units	\$1,300
NEMA 4X Enclosure 30" Fan Units	\$3,450
Vent and Drain Valve (Each) (Requires Two for Double Wide Model)	\$560
<b>RELAY BOARDS</b>	
CPC - 8RO Relay Board	\$2,720
CPC1 - Multiflex 88 Board	\$3,240
CPC2 - Multiflex 88AO Board	\$3,650
AKC - Danfoss 88 Board and Comm - AK2-XM205B (TP78-Old)*	\$2,720
AKS - Danfoss 88 Board and Comm - AK2-XM205B (RS485)*	\$2,720
DAN - Danfoss MX06D with Transducer and Temp Sensor	\$2,650
MTH - Microthermo - MT-508	\$2,720
MTH1 - Microthermo - MT-722F / 784A	\$4,450
NOV - Novar #7330130	\$2,720
Ambient Air Sensor - CPC, Danfoss, Novar (Shipped Loose)	\$350
Ambient Air Sensor - CPC, Danfoss, Novar (Mounted)	\$640

**CONTROL DESCRIPTION**

**MODEL 311**

Individual Fuses and Contactors, plus Fan Cycling Control

**MODEL 331**

Fuses and Contactors per Pair of Fans, plus Fan Cycle Controls

**MODEL 411**

No Fan Cycle Controls, Individual Fuses and Contactors

**MODEL 431**

No Fan Cycle Controls, Fuses and Contactors per Pair of Fans

**MODEL 461**

No Fan Cycle Controls Individual Fuses

**NOTE:**

The heading of each column is the last 3 numbers in the Control Panel Nomenclature.

\* Controller model required to provide correct com module.

Prices, product availability, and specifications are subject to change without notice.



**FLUID COOLER OPTIONS**

**LEG OPTIONS - 30" FAN UNITS**

FAN CONFIGURATION	DEDUCT FOR NO LEGS	15" LEGS	22" LEGS	30" LEGS	36" LEGS	42" LEGS	48" LEGS	60" LEGS
1 X 1	(\$80)	N/C	STD	\$200	\$200	\$200	\$1,440	\$2,090
1 X 2	(\$80)	N/C	STD	\$200	\$200	\$200	\$2,160	\$3,120
1 X 3	(\$120)	N/C	STD	\$300	\$300	\$300	\$2,890	\$4,180
1 X 4	(\$120)	N/C	STD	\$300	\$300	\$300	\$3,600	\$5,220
1 X 5	(\$120)	N/C	STD	\$390	\$390	\$390	\$4,320	\$6,240
1 X 6	(\$160)	N/C	STD	\$390	\$390	\$390	\$5,040	\$7,280
1 X 7	(\$200)	N/C	STD	\$490	\$490	\$490	\$5,760	\$8,320
2 X 2	(\$80)	N/C	STD	\$200	\$200	\$200	\$2,160	\$3,120
2 X 3	(\$120)	N/C	STD	\$300	\$300	\$300	\$2,890	\$4,150
2 X 4	(\$120)	N/C	STD	\$300	\$300	\$300	\$3,600	\$5,190
2 X 5	(\$160)	N/C	STD	\$390	\$390	\$390	\$4,320	\$6,240
2 X 6	(\$160)	N/C	STD	\$390	\$390	\$390	\$5,040	\$7,280
2 X 7	(\$200)	N/C	STD	\$490	\$490	\$490	\$5,760	\$8,300

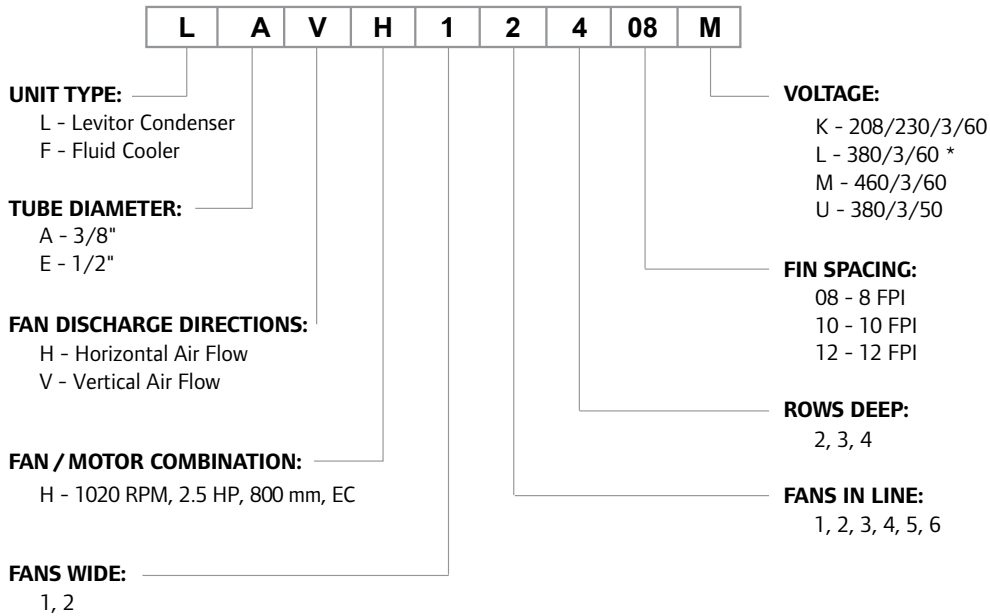
FAN CONFIGURATION	HINGED FAN PANEL	GRAVITY DAMPERS	PAINTED HOUSING
1 X 1	\$390	\$760	\$990
1 X 2	\$780	\$1,510	\$1,970
1 X 3	\$1,170	\$2,280	\$2,960
1 X 4	\$1,550	\$3,040	\$3,950
1 X 5	\$1,940	\$3,800	\$4,940
1 X 6	\$2,330	\$4,560	\$5,920
1 X 7	\$2,720	\$5,320	\$6,910
2 X 2	\$1,550	\$3,040	\$3,800
2 X 3	\$2,330	\$4,560	\$5,700
2 X 4	\$3,110	\$6,080	\$7,600
2 X 5	\$3,890	\$7,600	\$9,500
2 X 6	\$4,660	\$9,120	\$11,400
2 X 7	\$5,440	\$10,640	\$13,300

150# FLANGED CONNECTIONS	LIST PRICE
In Line Up to 2.5"	\$640
In Line 3"	\$710
In Line 4"	\$780
Double-Wide up to 2.5"	\$1,290
Double-Wide 3"	\$1,420
Double-Wide 4"	\$1,560

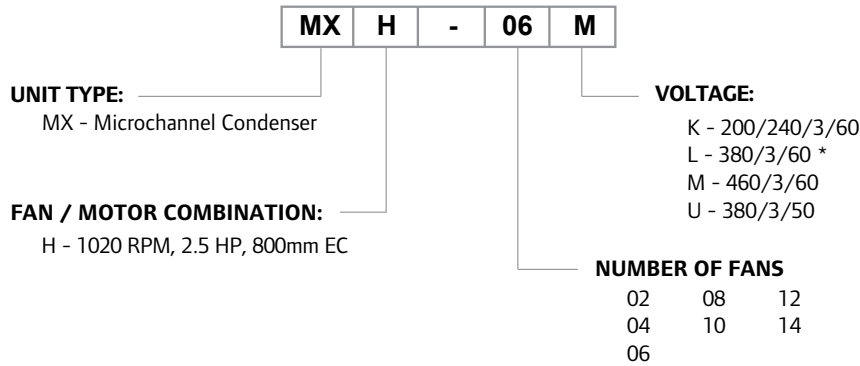
DOUBLE WIDE UNIT MANIFOLD KITS	LIST PRICE
Flow Rates: 80 to 200 GPM 3.125 ODS or 3 MPT	\$3,240
Flow Rates: 201 to 320 GPM 4.125 ODS or 4 MPT	\$5,010



**EC LEVITOR II / FLUID COOLER MODEL KEY**



**EC MICROCHANNEL AIR-COOLED MODEL KEY**



\* Contact Application Engineering for quoting.

*EC Motors are NOT available with 575 Volt option.*



**EC LEVITOR II / MICROCHANNEL PRODUCT DESCRIPTION -  
AIR-COOLED CONDENSER**

Version: **September 2023**

**EC LEVITOR II MODELS - LAVH**

ONE FAN WIDE MODELS	LIST PRICE	DIMENSIONS (IN)			SHIP WGT (LBS)	TWO FAN WIDE MODELS	LIST PRICE	DIMENSIONS (IN)			SHIP WGT (LBS)
		L	W	H **				L	W	H **	
LAVH 11208	\$11,700	58.00	45.25	65.00	494	-	-	-	-	-	-
LAVH 11210	\$11,760	58.00	45.25	65.00	496	-	-	-	-	-	-
LAVH 11212	\$11,850	58.00	45.25	65.00	501	-	-	-	-	-	-
LAVH 11308	\$12,250	58.00	45.25	65.00	523	-	-	-	-	-	-
LAVH 11310	\$12,340	58.00	45.25	65.00	526	-	-	-	-	-	-
LAVH 11312	\$12,410	58.00	45.25	65.00	535	-	-	-	-	-	-
LAVH 11408	\$12,520	58.00	45.25	65.00	552	-	-	-	-	-	-
LAVH 11410	\$12,590	58.00	45.25	65.00	556	-	-	-	-	-	-
LAVH 11412	\$12,670	58.00	45.25	65.00	565	-	-	-	-	-	-
LAVH 12208	\$19,470	112.00	45.25	65.00	832	LAVH 22208	\$38,820	112.00	90.50	65.00	1,539
LAVH 12210	\$19,650	112.00	45.25	65.00	835	LAVH 22210	\$39,150	112.00	90.50	65.00	1,548
LAVH 12212	\$19,810	112.00	45.25	65.00	843	LAVH 22212	\$39,500	112.00	90.50	65.00	1,564
LAVH 12308	\$20,150	112.00	45.25	65.00	887	LAVH 22308	\$40,160	112.00	90.50	65.00	1,665
LAVH 12310	\$20,370	112.00	45.25	65.00	893	LAVH 22310	\$40,600	112.00	90.50	65.00	1,653
LAVH 12312	\$20,780	112.00	45.25	65.00	906	LAVH 22312	\$41,430	112.00	90.50	65.00	1,690
LAVH 12408	\$22,710	112.00	45.25	65.00	944	LAVH 22408	\$45,280	112.00	90.50	65.00	1,767
LAVH 12410	\$23,260	112.00	45.25	65.00	952	LAVH 22410	\$46,370	112.00	90.50	65.00	1,783
LAVH 12412	\$23,790	112.00	45.25	65.00	969	LAVH 22412	\$47,420	112.00	90.50	65.00	1,816
LAVH 13210	\$29,440	166.00	45.25	65.00	1,212	LAVH 23210	\$58,730	166.00	90.50	65.00	2,217
LAVH 13212	\$29,780	166.00	45.25	65.00	1,231	LAVH 23212	\$59,410	166.00	90.50	65.00	2,254
LAVH 13308	\$30,110	166.00	45.25	65.00	1,297	LAVH 23308	\$60,070	166.00	90.50	65.00	2,386
LAVH 13310	\$30,450	166.00	45.25	65.00	1,306	LAVH 23310	\$60,710	166.00	90.50	65.00	2,405
LAVH 13312	\$31,000	166.00	45.25	65.00	1,324	LAVH 23312	\$61,810	166.00	90.50	65.00	2,442
LAVH 13408	\$33,050	166.00	45.25	65.00	1,381	LAVH 23408	\$66,430	166.00	90.50	65.00	2,556
LAVH 13410	\$33,800	166.00	45.25	65.00	1,394	LAVH 23410	\$67,400	166.00	90.50	65.00	2,580
LAVH 13412	\$34,570	166.00	45.25	65.00	1,418	LAVH 23412	\$68,900	166.00	90.50	65.00	2,629
LAVH 14308	\$40,280	220.00	45.25	65.00	1,665	LAVH 24308	\$80,310	220.00	90.50	65.00	2,982
LAVH 14310	\$40,450	220.00	45.25	65.00	1,677	LAVH 24310	\$80,690	220.00	90.50	65.00	3,107
LAVH 14312	\$41,290	220.00	45.25	65.00	1,702	LAVH 24312	\$82,300	220.00	90.50	65.00	3,156
LAVH 14408	\$44,080	220.00	45.25	65.00	1,778	LAVH 24408	\$87,890	220.00	90.50	65.00	3,307
LAVH 14410	\$44,700	220.00	45.25	65.00	1,794	LAVH 24410	\$89,100	220.00	90.50	65.00	3,340
LAVH 14412	\$46,030	220.00	45.25	65.00	1,827	LAVH 24412	\$91,750	220.00	90.50	65.00	3,406
LAVH 15308	\$53,850	274.00	45.25	69.50	2,305	LAVH 25308	\$107,390	274.00	90.50	69.50	4,295
LAVH 15310	\$54,290	274.00	45.25	69.50	2,320	LAVH 25310	\$108,260	274.00	90.50	69.50	4,325
LAVH 15312	\$54,690	274.00	45.25	69.50	2,351	LAVH 25312	\$109,100	274.00	90.50	69.50	4,387
LAVH 15408	\$55,110	274.00	45.25	69.50	2,445	LAVH 25408	\$109,900	274.00	90.50	69.50	4,575
LAVH 15410	\$56,410	274.00	45.25	69.50	2,466	LAVH 25410	\$112,440	274.00	90.50	69.50	4,616
LAVH 15412	\$57,690	274.00	45.25	69.50	2,507	LAVH 25412	\$115,020	274.00	90.50	69.50	4,699
LEVH 16308	\$63,840	328.00	45.25	69.50	2,896	LEVH 26308	\$127,310	328.00	90.50	69.50	5,443
LEVH 16310	\$64,340	328.00	45.25	69.50	2,915	LEVH 26310	\$128,310	328.00	90.50	69.50	5,480
LEVH 16312	\$64,860	328.00	45.25	69.50	2,952	LEVH 26312	\$129,340	328.00	90.50	69.50	5,554
LEVH 16408	\$65,350	328.00	45.25	69.50	3,126	LEVH 26408	\$130,350	328.00	90.50	69.50	5,902
LEVH 16410	\$65,880	328.00	45.25	69.50	3,150	LEVH 26410	\$131,360	328.00	90.50	69.50	5,952
LEVH 16412	\$66,380	328.00	45.25	69.50	3,200	LEVH 26412	\$132,360	328.00	90.50	69.50	6,050

*See Levitor II Options for fin coating, legs, hinged fan panel, gravity damper, and painted housing pricing.*





**EC LEVITOR II / MICROCHANNEL PRODUCT DESCRIPTION -  
AIR-COOLED CONDENSER**

Version: **September 2023**

**EC MICROCHANNEL AIR-COOLED MODELS - MXH**

TWO FAN WIDE MODELS	LIST PRICE	THR in MBH (000) @ 10° F TD R-404A / R-507A	THR in MBH (000) @ 10° F TD R-448A / R-449A	AIR FLOW (CFM)	DIMENSIONS (IN)			SHIP WGT (LBS)	REFRIGERANT CHARGE	
					L	W	H *		SUMMER R-404A (LBS)	WINTER R-404A (LBS)
MXH-02	\$25,450	171.1	167.0	27,100	44.00	90.25	54.00	674	4	12
MXH-04	\$48,120	342.2	334.0	54,200	88.00	90.25	54.00	1,398	15	26
MXH-06	\$73,320	513.3	501.0	81,300	132.00	90.25	54.00	2,047	23	40
MXH-08	\$95,520	684.4	668.0	108,400	176.00	90.25	54.00	2,736	40	55
MXH-10	\$120,780	855.5	835.0	135,500	220.00	90.25	54.00	3,420	52	77
MXH-12	\$149,010	1026.6	1002.0	162,600	264.00	90.25	54.00	4,069	80	88

\* Add 22 inches to height when ship loose legs are required. Add 42 inches to height when extended legs are specified. Add 18 inches to height for mounted receivers.



# EC LEVITOR II / MICROCHANNEL PRODUCT DESCRIPTION - AIR-COOLED CONDENSER

Version: September 2023

## EC LEVITOR II FLUID COOLER MODELS - FEVH

ONE FAN WIDE MODELS	LIST PRICE	INTERNAL VOLUME (GAL)	DIMENSIONS (IN)			SHIP WGT (LBS)	ELECTROFIN COATED COIL	POLYESTER FIN COATING
			L	W	H			
11208	\$11,820	3.5	58.00	45.25	65.00	504	\$1,250	\$1,030
11210	\$11,910	3.6	58.00	45.25	65.00	506	\$1,250	\$1,040
11212	\$11,990	3.7	58.00	45.25	65.00	511	\$1,250	\$1,050
11308	\$12,390	5.0	58.00	45.25	65.00	538	\$1,370	\$1,110
11310	\$12,470	5.2	58.00	45.25	65.00	541	\$1,370	\$1,130
11312	\$12,570	5.3	58.00	45.25	65.00	550	\$1,370	\$1,160
11408	\$12,640	6.5	58.00	45.25	65.00	572	\$1,420	\$1,170
11410	\$12,730	6.5	58.00	45.25	65.00	572	\$1,420	\$1,180
11412	\$12,830	6.9	58.00	45.25	65.00	585	\$1,420	\$1,190
12208	\$19,660	6.4	112.00	45.25	65.00	852	\$1,790	\$1,460
12210	\$19,820	6.5	112.00	45.25	65.00	855	\$1,790	\$1,480
12212	\$19,990	6.6	112.00	45.25	65.00	863	\$1,790	\$1,510
12308	\$20,330	9.5	112.00	45.25	65.00	917	\$1,910	\$1,580
12310	\$20,560	9.6	112.00	45.25	65.00	923	\$1,910	\$1,600
12312	\$20,980	9.7	112.00	45.25	65.00	936	\$1,910	\$1,650
12408	\$22,960	16.4	112.00	45.25	65.00	984	\$2,440	\$1,930
12410	\$23,510	16.5	112.00	45.25	65.00	992	\$2,440	\$2,030
12412	\$24,050	16.6	112.00	45.25	65.00	1,009	\$2,440	\$2,120
13210	\$29,720	9.5	166.00	45.25	65.00	1,242	\$2,680	\$2,230
13212	\$30,050	9.6	166.00	45.25	65.00	1,261	\$2,680	\$2,270
13308	\$30,400	13.7	166.00	45.25	65.00	1,327	\$2,850	\$2,310
13310	\$30,740	13.9	166.00	45.25	65.00	1,351	\$2,850	\$2,370
13312	\$31,310	14.1	166.00	45.25	65.00	1,369	\$2,850	\$2,460
13408	\$33,380	18.3	166.00	45.25	65.00	1,426	\$3,440	\$2,770
13410	\$34,160	18.5	166.00	45.25	65.00	1,454	\$3,440	\$2,880
13412	\$34,920	18.7	166.00	45.25	65.00	1,478	\$3,440	\$2,980
14308	\$40,660	18.2	220.00	45.25	65.00	1,725	\$3,760	\$3,110
14310	\$40,850	18.4	220.00	45.25	65.00	1,737	\$3,760	\$3,130
14312	\$41,670	18.6	220.00	45.25	65.00	1,762	\$3,760	\$3,260
14408	\$44,530	24.0	220.00	45.25	65.00	1,838	\$4,540	\$3,660
14410	\$45,150	24.3	220.00	45.25	65.00	1,871	\$4,540	\$3,780
14412	\$46,520	24.6	220.00	45.25	65.00	1,904	\$4,540	\$3,980
15308	\$54,400	22.5	274.00	45.25	69.50	2,382	\$5,380	\$4,420
15310	\$54,840	22.7	274.00	45.25	69.50	2,391	\$5,380	\$4,470
15312	\$55,260	22.9	274.00	45.25	69.50	2,422	\$5,380	\$4,550
15408	\$55,660	30.2	274.00	45.25	69.50	2,516	\$5,750	\$4,600
15410	\$56,970	30.3	274.00	45.25	69.50	2,561	\$5,750	\$4,800
15412	\$58,310	30.5	274.00	45.25	69.50	2,602	\$5,750	\$4,980
16308	\$63,840	27.0	328.00	45.25	69.50	2,991	\$6,300	\$5,180
16310	\$64,340	27.2	328.00	45.25	69.50	2,915	\$6,300	\$5,250
16312	\$64,860	27.4	328.00	45.25	69.50	2,952	\$6,300	\$5,340
16408	\$65,350	35.7	328.00	45.25	69.50	3,126	\$6,590	\$5,410
16410	\$65,880	36.0	328.00	45.25	69.50	3,150	\$6,590	\$5,490
16412	\$66,380	36.4	328.00	45.25	69.50	3,200	\$6,590	\$5,540

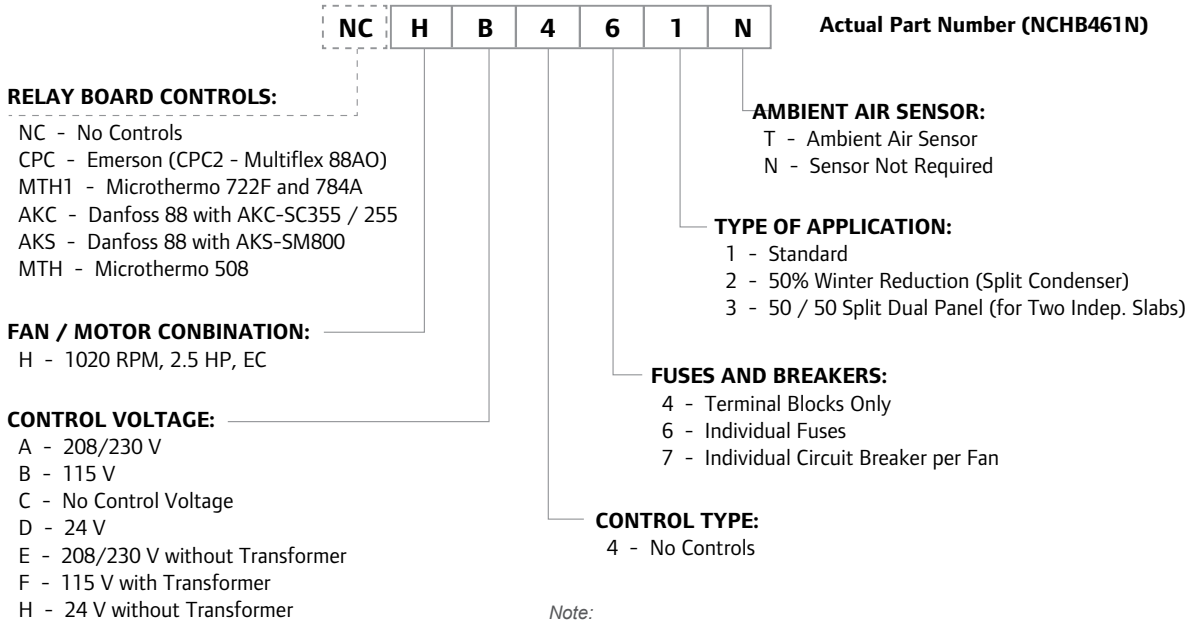
Note:  
See Fluid Cooler Options for fin coating, legs, hinged fan panel, gravity damper, and painted housing pricing.

TWO FAN WIDE MODELS	LIST PRICE	INTERNAL VOLUME (GAL)	DIMENSIONS (IN)			SHIP WGT (LBS)	ELECTROFIN COATED COIL	POLYESTER FIN COATING
			L	W	H			
-	-	-	-	-	-	-	-	-
-	-	-	-	-	-	-	-	-
-	-	-	-	-	-	-	-	-
-	-	-	-	-	-	-	-	-
-	-	-	-	-	-	-	-	-
-	-	-	-	-	-	-	-	-
-	-	-	-	-	-	-	-	-
-	-	-	-	-	-	-	-	-
-	-	-	-	-	-	-	-	-
-	-	-	-	-	-	-	-	-
22208	\$39,170	12.4	112.00	90.50	65.00	1,579	\$3,540	\$2,910
22210	\$39,510	12.6	112.00	90.50	65.00	1,588	\$3,540	\$2,950
22212	\$39,860	12.8	112.00	90.50	65.00	1,604	\$3,540	\$2,980
22308	\$40,550	18.7	112.00	90.50	65.00	1,725	\$3,800	\$3,100
22310	\$40,990	18.9	112.00	90.50	65.00	1,713	\$3,800	\$3,170
22312	\$41,820	19.1	112.00	90.50	65.00	1,750	\$3,800	\$3,300
22408	\$45,770	24.8	112.00	90.50	65.00	1,847	\$4,820	\$3,860
22410	\$46,850	25.0	112.00	90.50	65.00	1,863	\$4,820	\$4,020
22412	\$47,920	25.3	112.00	90.50	65.00	1,896	\$4,820	\$4,180
23210	\$59,270	18.5	166.00	90.50	65.00	2,277	\$5,290	\$4,410
23212	\$59,970	18.7	166.00	90.50	65.00	2,314	\$5,290	\$4,520
23308	\$60,650	27.4	166.00	90.50	65.00	2,476	\$5,650	\$4,610
23310	\$61,310	27.7	166.00	90.50	65.00	2,495	\$5,650	\$4,700
23312	\$62,420	27.9	166.00	90.50	65.00	2,532	\$5,650	\$4,870
23408	\$67,120	36.7	166.00	90.50	65.00	2,673	\$6,870	\$5,550
23410	\$68,080	36.9	166.00	90.50	65.00	2,697	\$6,870	\$5,720
23412	\$69,650	37.1	166.00	90.50	65.00	2,746	\$6,870	\$5,930
24308	\$81,070	36.3	220.00	90.50	65.00	3,097	\$7,470	\$6,180
24310	\$81,450	36.5	220.00	90.50	65.00	3,222	\$7,470	\$6,230
24312	\$83,100	36.7	220.00	90.50	65.00	3,271	\$7,470	\$6,480
24408	\$88,790	48.4	220.00	90.50	65.00	3,460	\$9,000	\$7,310
24410	\$90,040	48.6	220.00	90.50	65.00	3,493	\$9,000	\$7,500
24412	\$92,740	48.8	220.00	90.50	65.00	3,559	\$9,000	\$7,900
25308	\$108,480	45.2	274.00	90.50	69.50	4,438	\$10,680	\$8,770
25310	\$109,360	45.4	274.00	90.50	69.50	4,468	\$10,680	\$8,900
25312	\$110,200	45.6	274.00	90.50	69.50	4,530	\$10,680	\$9,020
25408	\$111,040	60.3	274.00	90.50	69.50	4,765	\$11,450	\$9,140
25410	\$113,630	60.5	274.00	90.50	69.50	4,806	\$11,450	\$9,530
25412	\$116,260	60.7	274.00	90.50	69.50	4,889	\$11,450	\$9,910
26308	\$127,310	54.2	328.00	90.50	69.50	5,443	\$12,520	\$10,300
26310	\$128,310	54.4	328.00	90.50	69.50	5,480	\$12,520	\$10,430
26312	\$129,340	54.6	328.00	90.50	69.50	5,554	\$12,520	\$10,590
26408	\$130,350	72.1	328.00	90.50	69.50	5,902	\$13,060	\$10,740
26410	\$131,360	72.3	328.00	90.50	69.50	5,952	\$13,060	\$10,890
26412	\$132,360	72.5	328.00	90.50	69.50	6,050	\$13,060	\$11,040

Prices, product availability, and specifications are subject to change without notice.

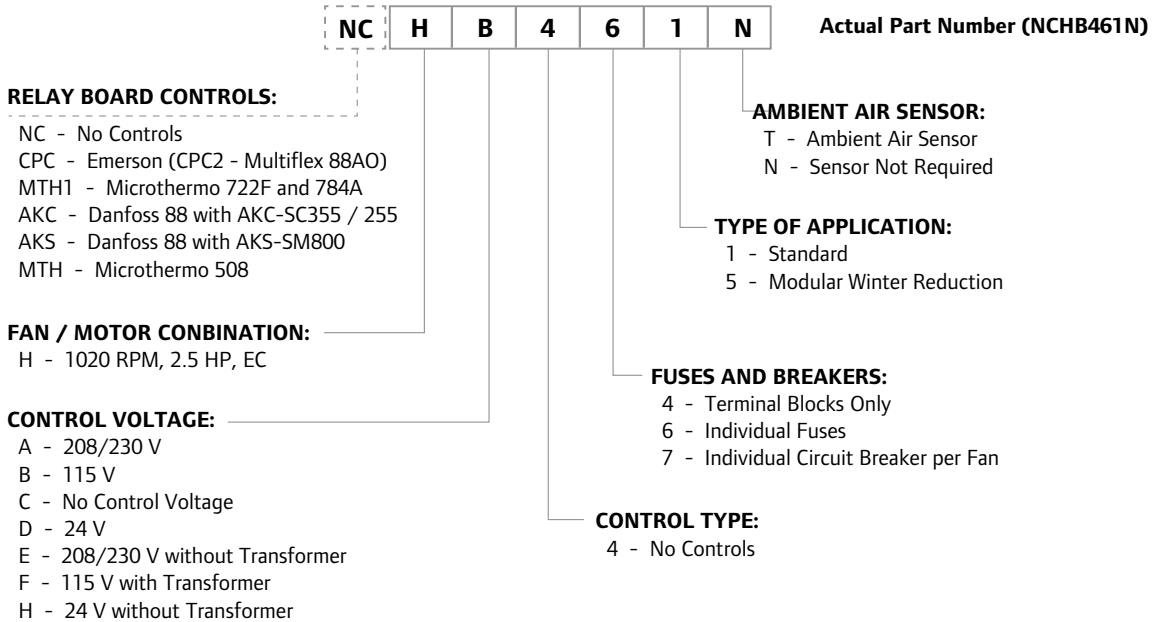


**EC LEVITOR II COOLER PANEL NOMENCLATURE**



*Note:  
50/50 Split Dual panel (for two independent slabs) will apply only for two wide units.*

**EC MICROCHANNEL AIR-COOLED CONTROL PANEL NOMENCLATURE**



**EC LEVITOR II CONTROL PANELS**

<b>FAN CONFIGURATION</b>	<b>461</b>
1 X 1	\$660
1 X 2	\$870
1 X 3	\$880
1 X 4	\$1,210
1 X 5	\$1,380
1 X 6	\$1,530
2 X 2	\$1,710
2 X 3	\$2,230
2 X 4	\$2,720
2 X 5	\$3,170
2 X 6	\$3,640

**CONTROL DESCRIPTION**

**MODEL 461**

No Fan Speed Controls,  
Individual Fuses

*Note: The heading of each column is the last 3 numbers in the Control Panel Nomenclature.*

<b>OPTIONS</b>	<b>ADD \$</b>
50% Reduction Relay (2X Only)	\$290
50 / 50 Split (2X Only)	<b>Two 1 X Panel</b>
Phase Loss Monitor	\$1,100
Mounted Non-Fused Disconnect	\$1,860
Mounted Fused Disconnect (Less Fuses)	\$2,070
Control Circuit Cutoff Switch	\$330
230V	\$640
Drop Leg Transducer Tap with Transducer	\$1,610
Drop Leg Pressure Transducer Tap	\$330
Danfoss BP5 Ambient Temp Sensor with Enclosure	\$640
Rochester Liquid Level Gauge with Alarm Circuit	\$2,940
Hot Gas Header	\$1,680
Rupture Disc Assembly	\$1,280
<b>RELAY BOARDS</b>	
Ambient Air Sensor - CPC, Danfoss, Novar	\$350
CPC-4AO Analog Board	\$2,720
CPC2 - Multiflex 88AO Board	\$3,650
DAN - Danfoss MX06D with Transducer and Temp Sensor	\$2,650
Danfoss 4 R/O Board	\$2,720
Danfoss Analog Board AK2	\$2,720

*Note: For panels without fuses, consult factory.*

**Contact factory for pricing of Electronic Controllers and Relay Boards.**



**EC FLUID COOLER CONTROL PANELS and ELECTRICAL INFORMATION**

<b>FAN CONFIGURATION</b>	<b>461</b>
1 X 1	\$660
1 X 2	\$860
1 X 3	\$880
1 X 4	\$1,210
1 X 5	\$1,380
1 X 6	\$1,520
2 X 2	\$1,710
2 X 3	\$2,220
2 X 4	\$2,720
2 X 5	\$3,170
2 X 6	\$3,640

**CONTROL DESCRIPTION**

**MODEL 461**

No Fan Speed Controls,  
Individual Fuses

*Note: The heading of each column is the last 3 numbers in the Control Panel Nomenclature.*

<b>OPTIONS</b>	<b>ADD \$</b>
Phase Loss Monitor	\$1,100
NEMA 4 Enclosure with Terminal Blocks	\$700
NEMA 4X Enclosure 30" Fan Units	\$3,450
Mounted Non-Fused Disconnect	\$1,860



**EC MICROCHANNEL AIR-COOLED CONTROL PANELS**

<b>FAN CONFIGURATION</b>	<b>461</b>
02	\$860
04	\$1,710
06	\$2,220
08	\$2,720
10	\$3,170
12	\$3,640

**CONTROL DESCRIPTION**

**MODEL 461**

No Fan Speed Controls,  
Individual Fuses

<b>OPTIONS</b>	<b>ADD \$</b>
Phase Loss Monitor	\$1,100
Mounted Non-Fused Disconnect	\$1,860
<b>RELAY BOARDS</b>	
Ambient Air Sensor - CPC, Danfoss, Novar	\$350
CPC - 4AO Analog Board	\$2,720
Danfoss 4 R/O Board	\$2,720
Danfoss Analog Board AK2	\$2,720
CPC - Multiflex 88 Board	\$3,240

*Note: For panels without fuses, consult factory.*

**Contact factory for pricing of Electronic Controllers and Relay Boards.**



# HIGH EFFICIENCY H-SERIES PRODUCT DESCRIPTION - CONDENSING UNITS

Version: **September 2023**

## HIGH EFFICIENCY H-SERIES MODEL KEY

**H D S D - 100 0 L S K F F - D**

**SERIES**

**UNIT TYPE:**

- E - Indoor, High Efficiency
- D - Outdoor, High Efficiency

**BASE:**

- S - Standard
- H - Heavy-Duty

**COMPRESSOR TYPE:**

- D - Copeland Discus
- Z - Copeland Scroll
- B - Bitzer Ecoline, Motor 2
- E - Bitzer Ecoline, Motor 1
- S - Copeland Semi-Hermetic

**COMPRESSOR HORSEPOWER:**

- 005 - 0.5 HP
- 030 - 3.0 HP
- 100 - 10.0 HP
- 150 - 15.0 HP

**ALTERNATIVE:**

- 0 - Basic
- 1 - First Alternative
- 2 - Second Alternative

**TEMPERATURE RANGE:**

- M - Medium (Max. Evap. Temp. = +35° F)
- L - Low (Max. Evap. Temp. = +0° F)

**DOE:**

- D - DOE / NRCan
- A - Non-Regulated

**RECEIVER SIZE:**

- A - 6" x 12"
- B - 6" x 18"
- C - 6" x 23"
- D - 6" x 30"
- E - 8.625" x 30"
- F - 10.75" x 30"
- G - 10.75" x 38"
- H - 12.75" x 30"
- X - No Receiver

**CONDENSER SIZE:**

- A - Small, 3 Row, 1 Fan
- B - Medium, 3 Row, 1 Fan
- D - Medium, 4 Row, 2 Fan
- F - Large, 4 Row, 4 Fan
- J - XLarge, 4 Row, 6 Fan

**VOLTAGE:**

- D - 208-230 V/1 PH/60 HZ
- K - 208-230 V/3 PH/60 HZ
- M - 460 V/3 PH/60 HZ
- P - 575 V/3 PH/60 HZ
- U - 380 V/3 PH/50 HZ

**REFRIGERANT:**

- S - R-404A
- P - R-507A
- Q - R-407A
- F - R-407F
- T - R-448A
- R - R-449A



The High Efficiency H-Series Condensing Units within NOM-012-ENER-2019 scope are Energy efficiency certified under the NOM-012-ENER-2019 standard for applications in Mexico. Please check each table in the bulletin for details.

NOTE: Units are ordered refrigerant specific (i.e. "S" for R-404A) but will include other refrigerants that can also be used on the data plate.

*This product line includes AWEF values and can be applied with refrigeration loads regulated by DOE / NRCan. See technical bulletin for published AWEF values.*





# HIGH EFFICIENCY H-SERIES PRODUCT DESCRIPTION - CONDENSING UNITS

Version: September 2023

## HDSZ - HIGH EFFICIENCY H-SERIES COPELAND SCROLL CONDENSING UNITS

UNIT MODEL	COMPRESSOR MODEL	LIST PRICE			4 YEAR EXTENDED COMPRESSOR WARRANTY	TECHNICAL SPECIFICATIONS				SHIP WGT (LBS)
		208/1/60 D	208/3/60 K	460/3/60 M		CONDENSER AND CABINET SIZE	RCVR SIZE	CONNECTIONS (IN)		
								LIQUID	SUCTION	
<b>Scroll - Medium Temperature R-407F</b>										
HDSZ-0080MF#AB-A	ZB06KAE	\$8,130	\$8,080	-	\$930	A / Small	B	1/2	7/8	400
HDSZ-0080MF#BC-A	ZB06KAE	\$9,490	\$9,440	-	\$930	B / Medium	C	1/2	7/8	650
HDSZ-0100MF#AB-A	ZB07KAE	\$8,210	\$8,170	-	\$930	A / Small	B	1/2	7/8	400
HDSZ-0100MF#BC-A	ZB07KAE	\$9,570	\$9,530	-	\$930	B / Medium	C	1/2	7/8	650
HDSZ-0120MF#AB-A	ZB08KAE	\$8,290	\$8,250	-	\$930	A / Small	B	1/2	7/8	400
HDSZ-0120MF#BC-A	ZB08KAE	\$9,650	\$9,610	-	\$930	B / Medium	C	1/2	7/8	650
HDSZ-0200MF#BC-D	ZB15KCE	\$8,260	\$8,260	\$8,690	\$930	B / Medium	C	1/2	7/8	650
HDSZ-0200MF#DE-D	ZB15KCE	\$10,230	\$10,220	\$10,720	\$930	D / Medium	E	1/2	7/8	650
HDSZ-0250MF#BC-D	ZB19KCE	-	\$7,290	\$7,730	\$930	B / Medium	C	1/2	7/8	650
HDSZ-0250MF#DE-D	ZB19KCE	-	\$9,260	\$9,750	\$930	D / Medium	E	1/2	7/8	650
HDSZ-0300MF#BC-D	ZB21KCE	\$7,760	\$7,750	\$8,190	\$930	B / Medium	C	1/2	7/8	650
HDSZ-0300MF#DE-D	ZB21KCE	\$9,720	\$9,720	\$10,210	\$930	D / Medium	E	1/2	7/8	650
HDSZ-0350MF#BC-D	ZB26KCE	\$7,830	\$7,820	\$8,260	\$930	B / Medium	C	1/2	7/8	650
HDSZ-0350MF#DE-D	ZB26KCE	\$9,800	\$9,790	\$10,290	\$930	D / Medium	E	1/2	7/8	650
HDSZ-0400MF#BC-D	ZB30KCE	\$8,200	\$8,190	\$8,620	\$1,060	B / Medium	C	5/8	7/8	650
HDSZ-0400MF#DE-D	ZB30KCE	\$10,160	\$10,160	\$10,650	\$1,060	D / Medium	E	5/8	7/8	650
HDSZ-0500MF#DE-D	ZB38KCE	\$9,930	\$9,920	\$10,410	\$1,060	D / Medium	E	5/8	7/8	650
HDSZ-0500MF#FF-D	ZB38KCE	\$13,140	\$13,130	\$13,750	\$1,060	F / Large	F	5/8	7/8	1,250
HDSZ-0600MF#FF-D	ZB48KCE	-	\$13,660	\$14,280	\$1,060	F / Large	F	5/8	7/8	1,250
HDSZ-0600MF#JH-D	ZB48KCE	-	\$18,710	\$19,450	\$1,060	J / X-Large	H	5/8	7/8	1,575
HDSZ-0750MF#FF-D	ZB58K5E	-	\$15,920	\$16,520	\$1,910	F / Large	F	5/8	1-3/8	1,250
HDSZ-0750MF#JH-D	ZB58K5E	-	\$20,970	\$21,700	\$1,910	J / X-Large	H	5/8	1-3/8	1,575
HDSZ-1000MF#FF-D	ZB76K5E	-	\$18,110	\$18,620	\$1,910	F / Large	F	5/8	1-3/8	1,250
HDSZ-1000MF#JH-D	ZB76K5E	-	\$23,160	\$23,800	\$1,910	J / X-Large	H	5/8	1-3/8	1,575
HDSZ-1300MF#JH-D	ZB95K5E	-	\$23,100	\$23,700	\$2,270	J / X-Large	H	7/8	1-3/8	1,575
HDSZ-1500MF#JH-A	ZB114K5E	-	\$23,410	\$23,810	\$2,270	J / X-Large	H	7/8	1-3/8	1,575

UNIT MODEL	COMPRESSOR MODEL	LIST PRICE			4 YEAR EXTENDED COMPRESSOR WARRANTY	TECHNICAL SPECIFICATIONS				SHIP WGT (LBS)
		208/1/60 D	208/3/60 K	460/3/60 M		CONDENSER AND CABINET SIZE	RCVR SIZE	CONNECTIONS (IN)		
								LIQUID	SUCTION	
<b>Scroll - Low Temperature R-407F</b>										
HDSZ-0200LF#AB-D	ZF06K4E	\$7,300	\$7,300	\$7,730	\$1,100	A / Small	B	1/2	7/8	400
HDSZ-0200LF#BC-D	ZF06K4E	\$8,660	\$8,660	\$9,090	\$1,100	B / Medium	C	1/2	7/8	650
HDSZ-0250LF#BC-D	ZF08K4E	\$8,840	\$8,840	\$9,270	\$1,100	B / Medium	C	1/2	7/8	650
HDSZ-0250LF#DE-D	ZF08K4E	\$10,810	\$10,810	\$11,300	\$1,100	D / Medium	E	1/2	7/8	650
HDSZ-0300LF#AB-D	ZF09K4E	\$7,730	\$7,720	\$8,160	\$1,100	A / Small	B	1/2	7/8	400
HDSZ-0300LF#BC-D	ZF09K4E	\$9,080	\$9,080	\$9,510	\$1,100	B / Medium	C	1/2	7/8	650
HDSZ-0350LF#BC-D	ZF11K4E	\$8,640	\$8,630	\$9,070	\$1,100	B / Medium	C	1/2	7/8	650
HDSZ-0350LF#DE-D	ZF11K4E	\$10,600	\$10,600	\$11,100	\$1,100	D / Medium	E	1/2	7/8	650
HDSZ-0400LF#BC-D	ZF13K4E	\$8,930	\$8,920	\$9,360	\$1,180	B / Medium	C	1/2	7/8	650
HDSZ-0400LF#DE-D	ZF13K4E	\$10,900	\$10,890	\$11,390	\$1,180	D / Medium	E	1/2	7/8	650
HDSZ-0500LF#BC-D	ZF15K4E	\$9,320	\$9,310	\$9,740	\$1,180	B / Medium	C	1/2	7/8	650
HDSZ-0500LF#DE-D	ZF15K4E	\$11,280	\$11,280	\$11,770	\$1,180	D / Medium	E	1/2	7/8	650
HDSZ-0600LF#BC-D	ZF18K4E	-	\$9,400	\$9,840	\$1,180	B / Medium	C	5/8	7/8	650
HDSZ-0600LF#DE-D	ZF18K4E	-	\$11,370	\$11,860	\$1,180	D / Medium	E	5/8	7/8	650
HDSZ-0750LF#DE-A	ZF25K4E	-	\$14,420	\$14,920	\$1,700	D / Medium	E	5/8	1-3/8	650
HDSZ-0750LF#FF-D	ZF25K4E	-	\$17,630	\$18,250	\$1,700	F / Large	F	5/8	1-3/8	1,250
HDSZ-1000LF#DE-A	ZF34K5E	-	\$17,610	\$18,060	\$2,470	D / Medium	E	5/8	1-3/8	650
HDSZ-1000LF#FF-D	ZF34K5E	-	\$20,820	\$21,390	\$2,470	F / Large	F	5/8	1-3/8	1,250

- HE H-SERIES OPTIONS PAGE HAS STANDARD FEATURES AND BASIC OPTIONS LIST. USE H-SERIES SOFTWARE FOR ADDITIONAL CUSTOMIZATION.  
 - ORDERS MUST INCLUDE THE FULL MODEL NUMBER INCLUDING CONDENSER AND RECEIVER "HDSZ-0200MFKAB"  
 Standard options on HDSZ units include sealed liquid drier, pump down switch, time clock, and crating.



# HIGH EFFICIENCY H-SERIES PRODUCT DESCRIPTION - CONDENSING UNITS

Version: September 2023

## HDSZ - HIGH EFFICIENCY H-SERIES COPELAND SCROLL CONDENSING UNITS

UNIT MODEL	COMPRESSOR MODEL	LIST PRICE			4 YEAR EXTENDED COMPRESSOR WARRANTY	TECHNICAL SPECIFICATIONS				SHIP WGT (LBS)
		208/1/60 D	208/3/60 K	460/3/60 M		CONDENSER AND CABINET SIZE	RCVR SIZE	CONNECTIONS (IN)		
Scroll - Medium Temperature R-507A										
HDSZ-0080MP#AB-A	ZB06KAE	\$8,130	\$8,080	-	\$930	A / Small	B	1/2	7/8	400
HDSZ-0080MP#BC-A	ZB06KAE	\$9,490	\$9,440	-	\$930	B / Medium	C	1/2	7/8	650
HDSZ-0100MP#AB-A	ZB07KAE	\$8,210	\$8,170	-	\$930	A / Small	B	1/2	7/8	400
HDSZ-0100MP#BC-A	ZB07KAE	\$9,570	\$9,530	-	\$930	B / Medium	C	1/2	7/8	650
HDSZ-0120MP#AB-A	ZB08KAE	\$8,290	\$8,250	-	\$930	A / Small	B	1/2	7/8	400
HDSZ-0120MP#BC-A	ZB08KAE	\$9,650	\$9,610	-	\$930	B / Medium	C	1/2	7/8	650
HDSZ-0130MP#AB-A	ZS09KAE	\$8,490	\$8,390	\$8,830	\$930	A / Small	B	1/2	7/8	400
HDSZ-0130MP#BC-D	ZS09KAE	\$9,850	\$9,750	\$10,190	\$930	B / Medium	C	1/2	7/8	650
HDSZ-0150MP#AB-D	ZS11KAE	\$8,680	\$8,570	\$9,010	\$930	A / Small	B	1/2	7/8	400
HDSZ-0150MP#BC-D	ZS11KAE	\$10,040	\$9,930	\$10,370	\$930	B / Medium	C	1/2	7/8	650
HDSZ-0180MP#AB-D	ZS13KAE	\$8,680	\$8,580	\$9,010	\$930	A / Small	B	1/2	7/8	400
HDSZ-0180MP#BC-D	ZS13KAE	\$10,040	\$9,940	\$10,370	\$930	B / Medium	C	1/2	7/8	650
HDSZ-0200MP#BC-D	ZB15KCE	\$8,260	\$8,260	\$8,690	\$930	B / Medium	C	1/2	7/8	650
HDSZ-0200MP#DE-D	ZB15KCE	\$10,230	\$10,220	\$10,720	\$930	D / Medium	E	1/2	7/8	650
HDSZ-0250MP#BC-D	ZB19KCE	-	\$7,290	\$7,730	\$930	B / Medium	C	1/2	7/8	650
HDSZ-0250MP#DE-D	ZB19KCE	-	\$9,260	\$9,750	\$930	D / Medium	E	1/2	7/8	650
HDSZ-0300MP#BC-D	ZB21KCE	\$7,760	\$7,750	\$8,190	\$930	B / Medium	C	1/2	7/8	650
HDSZ-0300MP#DE-D	ZB21KCE	\$9,720	\$9,720	\$10,210	\$930	D / Medium	E	1/2	7/8	650
HDSZ-0350MP#BC-D	ZB26KCE	\$7,830	\$7,820	\$8,260	\$930	B / Medium	C	1/2	7/8	650
HDSZ-0350MP#DE-D	ZB26KCE	\$9,800	\$9,790	\$10,290	\$930	D / Medium	E	1/2	7/8	650
HDSZ-0400MP#BC-D	ZB30KCE	\$8,200	\$8,190	\$8,620	\$1,060	B / Medium	C	5/8	7/8	650
HDSZ-0400MP#DE-D	ZB30KCE	\$10,160	\$10,160	\$10,650	\$1,060	D / Medium	E	5/8	7/8	650
HDSZ-0500MP#DE-D	ZB38KCE	\$9,960	\$9,940	\$10,440	\$1,060	D / Medium	E	5/8	7/8	650
HDSZ-0500MP#FF-D	ZB38KCE	\$13,170	\$13,160	\$13,780	\$1,060	F / Large	F	5/8	7/8	1,250
HDSZ-0600MP#FF-D	ZB48KCE	-	\$13,660	\$14,280	\$1,060	F / Large	F	5/8	7/8	1,250
HDSZ-0600MP#JH-D	ZB48KCE	-	\$18,710	\$19,450	\$1,060	J / X-Large	H	5/8	7/8	1,575
HDSZ-0750MP#FF-D	ZB58K5E	-	\$15,920	\$16,520	\$1,910	F / Large	F	5/8	1-3/8	1,250
HDSZ-0750MP#JH-D	ZB58K5E	-	\$20,970	\$21,700	\$1,910	J / X-Large	H	5/8	1-3/8	1,575
HDSZ-1000MP#FF-D	ZB76K5E	-	\$18,160	\$18,680	\$1,910	F / Large	F	5/8	1-3/8	1,250
HDSZ-1000MP#JH-D	ZB76K5E	-	\$23,210	\$23,850	\$1,910	J / X-Large	H	5/8	1-3/8	1,575
HDSZ-1300MP#JH-D	ZB95K5E	-	\$23,100	\$23,700	\$2,270	J / X-Large	H	7/8	1-3/8	1,575
HDSZ-1500MP#JH-D	ZB114K5E	-	\$23,410	\$23,810	\$2,270	J / X-Large	H	7/8	1-3/8	1,575

UNIT MODEL	COMPRESSOR MODEL	LIST PRICE			4 YEAR EXTENDED COMPRESSOR WARRANTY	TECHNICAL SPECIFICATIONS				SHIP WGT (LBS)
		208/1/60 D	208/3/60 K	460/3/60 M		CONDENSER AND CABINET SIZE	RCVR SIZE	CONNECTIONS (IN)		
Scroll - Low Temperature R-507A										
HDSZ-0200LP#AB-A	ZF06K4E	\$7,300	\$7,300	\$7,730	\$1,100	A / Small	B	1/2	7/8	400
HDSZ-0200LP#BC-D	ZF06K4E	\$8,660	\$8,660	\$9,090	\$1,100	B / Medium	C	1/2	7/8	650
HDSZ-0250LP#BC-D	ZF08K4E	\$8,840	\$8,840	\$9,270	\$1,100	B / Medium	C	1/2	7/8	650
HDSZ-0250LP#DE-D	ZF08K4E	\$10,810	\$10,810	\$11,300	\$1,100	D / Medium	E	1/2	7/8	650
HDSZ-0300LP#AB-D	ZF09K4E	\$7,730	\$7,720	\$8,160	\$1,100	A / Small	B	1/2	7/8	400
HDSZ-0300LP#BC-D	ZF09K4E	\$9,080	\$9,080	\$9,510	\$1,100	B / Medium	C	1/2	7/8	650
HDSZ-0350LP#BC-D	ZF11K4E	\$8,640	\$8,630	\$9,070	\$1,100	B / Medium	C	1/2	7/8	650
HDSZ-0350LP#DE-D	ZF11K4E	\$10,600	\$10,600	\$11,100	\$1,100	D / Medium	E	1/2	7/8	650
HDSZ-0400LP#BC-D	ZF13K4E	\$8,930	\$8,920	\$9,360	\$1,180	B / Medium	C	1/2	7/8	650
HDSZ-0400LP#DE-D	ZF13K4E	\$10,900	\$10,890	\$11,390	\$1,180	D / Medium	E	1/2	7/8	650
HDSZ-0500LP#BC-D	ZF15K4E	\$9,320	\$9,310	\$9,740	\$1,180	B / Medium	C	1/2	7/8	650
HDSZ-0500LP#DE-D	ZF15K4E	\$11,280	\$11,280	\$11,770	\$1,180	D / Medium	E	1/2	7/8	650
HDSZ-0600LP#BC-D	ZF18K4E	-	\$9,400	\$9,840	\$1,180	B / Medium	C	5/8	7/8	650
HDSZ-0600LP#DE-D	ZF18K4E	-	\$11,370	\$11,860	\$1,180	D / Medium	E	5/8	7/8	650
HDSZ-0750LP#DE-D	ZF25K4E	-	\$14,420	\$14,920	\$1,700	D / Medium	E	5/8	1-3/8	650
HDSZ-0750LP#FF-D	ZF25K4E	-	\$17,630	\$18,250	\$1,700	F / Large	F	5/8	1-3/8	1,250
HDSZ-1000LP#DE-D	ZF34K5E	-	\$17,640	\$18,080	\$2,470	D / Medium	E	5/8	1-3/8	650
HDSZ-1000LP#FF-D	ZF34K5E	-	\$20,850	\$21,420	\$2,470	F / Large	F	5/8	1-3/8	1,250

- HE H-SERIES OPTIONS PAGE HAS STANDARD FEATURES AND BASIC OPTIONS LIST. USE H-SERIES SOFTWARE FOR ADDITIONAL CUSTOMIZATION.  
 - ORDERS MUST INCLUDE THE FULL MODEL NUMBER INCLUDING CONDENSER AND RECEIVER "HDSZ-0200MPKAB"  
 Standard options on HDSZ units include sealed liquid drier, pump down switch, time clock, and crating.



# HIGH EFFICIENCY H-SERIES PRODUCT DESCRIPTION - CONDENSING UNITS

Version: September 2023

## HDSZ - HIGH EFFICIENCY H-SERIES COPELAND SCROLL CONDENSING UNITS

UNIT MODEL	COMPRESSOR MODEL	LIST PRICE			4 YEAR EXTENDED COMPRESSOR WARRANTY	TECHNICAL SPECIFICATIONS				SHIP WGT (LBS)
		208/1/60 D	208/3/60 K	460/3/60 M		CONDENSER AND CABINET SIZE	RCVR SIZE	CONNECTIONS (IN)		
								LIQUID	SUCTION	
<b>Scroll - Medium Temperature R-407A</b>										
HDSZ-0080MQ#AB-A	ZB06KAE	\$8,130	\$8,080	-	\$930	A / Small	B	1/2	7/8	400
HDSZ-0080MQ#BC-A	ZB06KAE	\$9,490	\$9,440	-	\$930	B / Medium	C	1/2	7/8	650
HDSZ-0100MQ#AB-A	ZB07KAE	\$8,210	\$8,170	-	\$930	A / Small	B	1/2	7/8	400
HDSZ-0100MQ#BC-A	ZB07KAE	\$9,570	\$9,530	-	\$930	B / Medium	C	1/2	7/8	650
HDSZ-0120MQ#AB-A	ZB08KAE	\$8,290	\$8,250	-	\$930	A / Small	B	1/2	7/8	400
HDSZ-0120MQ#BC-A	ZB08KAE	\$9,650	\$9,610	-	\$930	B / Medium	C	1/2	7/8	650
HDSZ-0130MQ#AB-D	ZS09KAE	\$8,490	\$8,390	\$8,830	\$930	A / Small	B	1/2	7/8	400
HDSZ-0130MQ#BC-D	ZS09KAE	\$9,850	\$9,750	\$10,190	\$930	B / Medium	C	1/2	7/8	650
HDSZ-0150MQ#AB-D	ZS11KAE	\$8,680	\$8,570	\$9,010	\$930	A / Small	B	1/2	7/8	400
HDSZ-0150MQ#BC-D	ZS11KAE	\$10,040	\$9,930	\$10,370	\$930	B / Medium	C	1/2	7/8	650
HDSZ-0180MQ#AB-D	ZS13KAE	\$8,680	\$8,580	\$9,010	\$930	A / Small	B	1/2	7/8	400
HDSZ-0180MQ#BC-D	ZS13KAE	\$10,040	\$9,940	\$10,370	\$930	B / Medium	C	1/2	7/8	650
HDSZ-0200MQ#BC-D	ZB15KCE	\$8,260	\$8,260	\$8,690	\$930	B / Medium	C	1/2	7/8	650
HDSZ-0200MQ#DE-D	ZB15KCE	\$10,230	\$10,220	\$10,720	\$930	D / Medium	E	1/2	7/8	650
HDSZ-0250MQ#BC-D	ZB19KCE	-	\$7,290	\$7,730	\$930	B / Medium	C	1/2	7/8	650
HDSZ-0250MQ#DE-D	ZB19KCE	-	\$9,260	\$9,750	\$930	D / Medium	E	1/2	7/8	650
HDSZ-0300MQ#BC-D	ZB21KCE	\$7,760	\$7,750	\$8,190	\$930	B / Medium	C	1/2	7/8	650
HDSZ-0300MQ#DE-D	ZB21KCE	\$9,720	\$9,720	\$10,210	\$930	D / Medium	E	1/2	7/8	650
HDSZ-0350MQ#BC-D	ZB26KCE	\$7,830	\$7,820	\$8,260	\$930	B / Medium	C	1/2	7/8	650
HDSZ-0350MQ#DE-D	ZB26KCE	\$9,800	\$9,790	\$10,290	\$930	D / Medium	E	1/2	7/8	650
HDSZ-0400MQ#BC-D	ZB30KCE	\$8,200	\$8,190	\$8,620	\$1,060	B / Medium	C	5/8	7/8	650
HDSZ-0400MQ#DE-D	ZB30KCE	\$10,160	\$10,160	\$10,650	\$1,060	D / Medium	E	5/8	7/8	650
HDSZ-0500MQ#DE-D	ZB38KCE	\$9,930	\$9,920	\$10,410	\$1,060	D / Medium	E	5/8	7/8	650
HDSZ-0500MQ#FF-D	ZB38KCE	\$13,170	\$13,160	\$13,780	\$1,060	F / Large	F	5/8	7/8	1,250
HDSZ-0600MQ#FF-D	ZB48KCE	-	\$13,660	\$14,280	\$1,060	F / Large	F	5/8	7/8	1,250
HDSZ-0600MQ#JH-D	ZB48KCE	-	\$18,710	\$19,450	\$1,060	J / X-Large	H	5/8	7/8	1,575
HDSZ-0750MQ#FF-D	ZB58K5E	-	\$15,920	\$16,520	\$1,910	F / Large	F	5/8	1-3/8	1,250
HDSZ-0750MQ#JH-D	ZB58K5E	-	\$20,970	\$21,700	\$1,910	J / X-Large	H	5/8	1-3/8	1,575
HDSZ-1000MQ#FF-D	ZB76K5E	-	\$18,160	\$18,680	\$1,910	F / Large	F	5/8	1-3/8	1,250
HDSZ-1000MQ#JH-D	ZB76K5E	-	\$23,210	\$23,850	\$1,910	J / X-Large	H	5/8	1-3/8	1,575
HDSZ-1300MQ#JH-D	ZB95K5E	-	\$23,100	\$23,700	\$2,270	J / X-Large	H	7/8	1-3/8	1,575
HDSZ-1500MQ#JH-A	ZB114K5E	-	\$23,410	\$23,810	\$2,270	J / X-Large	H	7/8	1-3/8	1,575

UNIT MODEL	COMPRESSOR MODEL	LIST PRICE			4 YEAR EXTENDED COMPRESSOR WARRANTY	TECHNICAL SPECIFICATIONS				SHIP WGT (LBS)
		208/1/60 D	208/3/60 K	460/3/60 M		CONDENSER AND CABINET SIZE	RCVR SIZE	CONNECTIONS (IN)		
								LIQUID	SUCTION	
<b>Scroll - Low Temperature R-407A</b>										
HDSZ-0200LQ#AB-D	ZF06K4E	\$7,300	\$7,300	\$7,730	\$1,100	A / Small	B	1/2	7/8	400
HDSZ-0200LQ#BC-D	ZF06K4E	\$8,660	\$8,660	\$9,090	\$1,100	B / Medium	C	1/2	7/8	650
HDSZ-0250LQ#BC-D	ZF08K4E	\$8,840	\$8,840	\$9,270	\$1,100	B / Medium	C	1/2	7/8	650
HDSZ-0250LQ#DE-D	ZF08K4E	\$10,810	\$10,810	\$11,300	\$1,100	D / Medium	E	1/2	7/8	650
HDSZ-0300LQ#AB-D	ZF09K4E	\$7,730	\$7,720	\$8,160	\$1,100	A / Small	B	1/2	7/8	400
HDSZ-0300LQ#BC-D	ZF09K4E	\$9,080	\$9,080	\$9,510	\$1,100	B / Medium	C	1/2	7/8	650
HDSZ-0350LQ#BC-D	ZF11K4E	\$8,640	\$8,630	\$9,070	\$1,100	B / Medium	C	1/2	7/8	650
HDSZ-0350LQ#DE-D	ZF11K4E	\$10,600	\$10,600	\$11,100	\$1,100	D / Medium	E	1/2	7/8	650
HDSZ-0400LQ#BC-D	ZF13K4E	\$8,930	\$8,920	\$9,360	\$1,180	B / Medium	C	1/2	7/8	650
HDSZ-0400LQ#DE-D	ZF13K4E	\$10,900	\$10,890	\$11,390	\$1,180	D / Medium	E	1/2	7/8	650
HDSZ-0500LQ#BC-D	ZF15K4E	\$9,320	\$9,310	\$9,740	\$1,180	B / Medium	C	1/2	7/8	650
HDSZ-0500LQ#DE-D	ZF15K4E	\$11,280	\$11,280	\$11,770	\$1,180	D / Medium	E	1/2	7/8	650
HDSZ-0600LQ#BC-D	ZF18K4E	-	\$9,400	\$9,840	\$1,180	B / Medium	C	5/8	7/8	650
HDSZ-0600LQ#DE-D	ZF18K4E	-	\$11,370	\$11,860	\$1,180	D / Medium	E	5/8	7/8	650
HDSZ-0750LQ#DE-D	ZF25K4E	-	\$14,420	\$14,920	\$1,700	D / Medium	E	5/8	1-3/8	650
HDSZ-0750LQ#FF-D	ZF25K4E	-	\$17,630	\$18,250	\$1,700	F / Large	F	5/8	1-3/8	1,250
HDSZ-1000LQ#DE-A	ZF34K5E	-	\$17,610	\$18,060	\$2,470	D / Medium	E	5/8	1-3/8	650
HDSZ-1000LQ#FF-D	ZF34K5E	-	\$20,820	\$21,390	\$2,470	F / Large	F	5/8	1-3/8	1,250

- HE H-SERIES OPTIONS PAGE HAS STANDARD FEATURES AND BASIC OPTIONS LIST. USE H-SERIES SOFTWARE FOR ADDITIONAL CUSTOMIZATION.  
 - ORDERS MUST INCLUDE THE FULL MODEL NUMBER INCLUDING CONDENSER AND RECEIVER "HDSZ-0200MQ#AB"  
 Standard options on HDSZ units include sealed liquid drier, pump down switch, time clock, and crating.



# HIGH EFFICIENCY H-SERIES PRODUCT DESCRIPTION - CONDENSING UNITS

Version: **September 2023**

## HDSZ - HIGH EFFICIENCY H-SERIES COPELAND SCROLL CONDENSING UNITS

UNIT MODEL	COMPRESSOR MODEL	LIST PRICE			4 YEAR EXTENDED COMPRESSOR WARRANTY	TECHNICAL SPECIFICATIONS				SHIP WGT (LBS)
		208/1/60 D	208/3/60 K	460/3/60 M		CONDENSER AND CABINET SIZE	RCVR SIZE	CONNECTIONS (IN)		
Scroll - Medium Temperature R-449A										
HDSZ-0080MR#AB-A	ZB06KAE	\$8,130	\$8,080	-	\$930	A / Small	B	1/2	7/8	400
HDSZ-0080MR#BC-A	ZB06KAE	\$9,490	\$9,440	-	\$930	B / Medium	C	1/2	7/8	650
HDSZ-0100MR#AB-A	ZB07KAE	\$8,210	\$8,170	-	\$930	A / Small	B	1/2	7/8	400
HDSZ-0100MR#BC-A	ZB07KAE	\$9,570	\$9,530	-	\$930	B / Medium	C	1/2	7/8	650
HDSZ-0120MR#AB-A	ZB08KAE	\$8,290	\$8,250	-	\$930	A / Small	B	1/2	7/8	400
HDSZ-0120MR#BC-A	ZB08KAE	\$9,650	\$9,610	-	\$930	B / Medium	C	1/2	7/8	650
HDSZ-0130MR#AB-A	ZS09KAE	\$8,490	\$8,390	\$8,830	\$930	A / Small	B	1/2	7/8	400
HDSZ-0130MR#BC-A	ZS09KAE	\$9,850	\$9,750	\$10,190	\$930	B / Medium	C	1/2	7/8	650
HDSZ-0150MR#AB-A	ZS11KAE	\$8,680	\$8,570	\$9,010	\$930	A / Small	B	1/2	7/8	400
HDSZ-0150MR#BC-D	ZS11KAE	\$10,040	\$9,930	\$10,370	\$930	B / Medium	C	1/2	7/8	650
HDSZ-0180MR#AB-A	ZS13KAE	\$8,680	\$8,580	\$9,010	\$930	A / Small	B	1/2	7/8	400
HDSZ-0180MR#BC-D	ZS13KAE	\$10,040	\$9,940	\$10,370	\$930	B / Medium	C	1/2	7/8	650
HDSZ-0200MR#BC-D	ZB15KCE	\$8,260	\$8,260	\$8,690	\$930	B / Medium	C	1/2	7/8	650
HDSZ-0200MR#DE-D	ZB15KCE	\$10,230	\$10,220	\$10,720	\$930	D / Medium	E	1/2	7/8	650
HDSZ-0250MR#BC-D	ZB19KCE	-	\$7,290	\$7,730	\$930	B / Medium	C	1/2	7/8	650
HDSZ-0250MR#DE-D	ZB19KCE	-	\$9,260	\$9,750	\$930	D / Medium	E	1/2	7/8	650
HDSZ-0300MR#BC-D	ZB21KCE	\$7,760	\$7,750	\$8,190	\$930	B / Medium	C	1/2	7/8	650
HDSZ-0300MR#DE-D	ZB21KCE	\$9,720	\$9,720	\$10,210	\$930	D / Medium	E	1/2	7/8	650
HDSZ-0350MR#BC-D	ZB26KCE	\$7,830	\$7,820	\$8,260	\$930	B / Medium	C	1/2	7/8	650
HDSZ-0350MR#DE-D	ZB26KCE	\$9,800	\$9,790	\$10,290	\$930	D / Medium	E	1/2	7/8	650
HDSZ-0400MR#BC-D	ZB30KCE	\$8,200	\$8,190	\$8,620	\$1,060	B / Medium	C	5/8	7/8	650
HDSZ-0400MR#DE-D	ZB30KCE	\$10,160	\$10,160	\$10,650	\$1,060	D / Medium	E	5/8	7/8	650
HDSZ-0500MR#DE-D	ZB38KCE	\$9,930	\$9,920	\$10,410	\$1,060	D / Medium	E	5/8	7/8	650
HDSZ-0500MR#FF-D	ZB38KCE	\$13,170	\$13,160	\$13,780	\$1,060	F / Large	F	5/8	7/8	1,250
HDSZ-0600MR#FF-D	ZB48KCE	-	\$13,660	\$14,280	\$1,060	F / Large	F	5/8	7/8	1,250
HDSZ-0600MR#JH-D	ZB48KCE	-	\$18,710	\$19,450	\$1,060	J / X-Large	H	5/8	7/8	1,575
HDSZ-0750MR#FF-D	ZB58K5E	-	\$15,920	\$16,520	\$1,910	F / Large	F	5/8	1-3/8	1,250
HDSZ-0750MR#JH-D	ZB58K5E	-	\$20,970	\$21,700	\$1,910	J / X-Large	H	5/8	1-3/8	1,575
HDSZ-1000MR#FF-D	ZB76K5E	-	\$18,160	\$18,680	\$1,910	F / Large	F	5/8	1-3/8	1,250
HDSZ-1000MR#JH-D	ZB76K5E	-	\$23,210	\$23,850	\$1,910	J / X-Large	H	5/8	1-3/8	1,575
HDSZ-1300MR#JH-D	ZB95K5E	-	\$23,100	\$23,700	\$2,270	J / X-Large	H	7/8	1-3/8	1,575
HDSZ-1500MR#JH-D	ZB114K5E	-	\$23,410	\$23,810	\$2,270	J / X-Large	H	7/8	1-3/8	1,575

UNIT MODEL	COMPRESSOR MODEL	LIST PRICE			4 YEAR EXTENDED COMPRESSOR WARRANTY	TECHNICAL SPECIFICATIONS				SHIP WGT (LBS)
		208/1/60 D	208/3/60 K	460/3/60 M		CONDENSER AND CABINET SIZE	RCVR SIZE	CONNECTIONS (IN)		
Scroll - Low Temperature R-449A										
HDSZ-0200LR#AB-D	ZF06K4E	\$7,300	\$7,300	\$7,730	\$1,100	A / Small	B	1/2	7/8	400
HDSZ-0200LR#BC-D	ZF06K4E	\$8,660	\$8,660	\$9,090	\$1,100	B / Medium	C	1/2	7/8	650
HDSZ-0250LR#BC-D	ZF08K4E	\$8,840	\$8,840	\$9,270	\$1,100	B / Medium	C	1/2	7/8	650
HDSZ-0250LR#DE-D	ZF08K4E	\$10,810	\$10,810	\$11,300	\$1,100	D / Medium	E	1/2	7/8	650
HDSZ-0300LR#AB-D	ZF09K4E	\$7,730	\$7,720	\$8,160	\$1,100	A / Small	B	1/2	7/8	400
HDSZ-0300LR#BC-D	ZF09K4E	\$9,080	\$9,080	\$9,510	\$1,100	B / Medium	C	1/2	7/8	650
HDSZ-0350LR#BC-D	ZF11K4E	\$8,640	\$8,630	\$9,070	\$1,100	B / Medium	C	1/2	7/8	650
HDSZ-0350LR#DE-D	ZF11K4E	\$10,600	\$10,600	\$11,100	\$1,100	D / Medium	E	1/2	7/8	650
HDSZ-0400LR#BC-D	ZF13K4E	\$8,930	\$8,920	\$9,360	\$1,180	B / Medium	C	1/2	7/8	650
HDSZ-0400LR#DE-D	ZF13K4E	\$10,900	\$10,890	\$11,390	\$1,180	D / Medium	E	1/2	7/8	650
HDSZ-0500LR#BC-D	ZF15K4E	\$9,320	\$9,310	\$9,740	\$1,180	B / Medium	C	1/2	7/8	650
HDSZ-0500LR#DE-D	ZF15K4E	\$11,280	\$11,280	\$11,770	\$1,180	D / Medium	E	1/2	7/8	650
HDSZ-0600LR#BC-D	ZF18K4E	-	\$9,400	\$9,840	\$1,180	B / Medium	C	5/8	7/8	650
HDSZ-0600LR#DE-D	ZF18K4E	-	\$11,370	\$11,860	\$1,180	D / Medium	E	5/8	7/8	650
HDSZ-0750LR#DE-D	ZF25K4E	-	\$14,420	\$14,920	\$1,700	D / Medium	E	5/8	1-3/8	650
HDSZ-0750LR#FF-D	ZF25K4E	-	\$17,630	\$18,250	\$1,700	F / Large	F	5/8	1-3/8	1,250
HDSZ-1000LR#DE-D	ZF34K5E	-	\$17,610	\$18,060	\$2,470	D / Medium	E	5/8	1-3/8	650
HDSZ-1000LR#FF-D	ZF34K5E	-	\$20,820	\$21,390	\$2,470	F / Large	F	5/8	1-3/8	1,250

- HE H-SERIES OPTIONS PAGE HAS STANDARD FEATURES AND BASIC OPTIONS LIST. USE H-SERIES SOFTWARE FOR ADDITIONAL CUSTOMIZATION.  
 - ORDERS MUST INCLUDE THE FULL MODEL NUMBER INCLUDING CONDENSER AND RECEIVER "HDSZ-0200MRKAB"  
 Standard options on HDSZ units include sealed liquid drier, pump down switch, time clock, and crating.



# HIGH EFFICIENCY H-SERIES PRODUCT DESCRIPTION - CONDENSING UNITS

Version: September 2023

## HDSZ - HIGH EFFICIENCY H-SERIES COPELAND SCROLL CONDENSING UNITS

UNIT MODEL	COMPRESSOR MODEL	LIST PRICE			4 YEAR EXTENDED COMPRESSOR WARRANTY	TECHNICAL SPECIFICATIONS				SHIP WGT (LBS)
		208/1/60 D	208/3/60 K	460/3/60 M		CONDENSER AND CABINET SIZE	RCVR SIZE	CONNECTIONS (IN)		
								LIQUID	SUCTION	
<b>Scroll - Medium Temperature R-404A</b>										
HDSZ-0080MS#AB-A	ZB06KAE	\$8,130	\$8,080	-	\$930	A / Small	B	1/2	7/8	400
HDSZ-0080MS#BC-A	ZB06KAE	\$9,490	\$9,440	-	\$930	B / Medium	C	1/2	7/8	650
HDSZ-0100MS#AB-A	ZB07KAE	\$8,210	\$8,170	-	\$930	A / Small	B	1/2	7/8	400
HDSZ-0100MS#BC-D	ZB07KAE	\$9,570	\$9,530	-	\$930	B / Medium	C	1/2	7/8	650
HDSZ-0120MS#AB-D	ZB08KAE	\$8,290	\$8,250	-	\$930	A / Small	B	1/2	7/8	400
HDSZ-0120MS#BC-D	ZB08KAE	\$9,650	\$9,610	-	\$930	B / Medium	C	1/2	7/8	650
HDSZ-0130MS#AB-D	ZS09KAE	\$8,490	\$8,390	\$8,830	\$930	A / Small	B	1/2	7/8	400
HDSZ-0130MS#BC-D	ZS09KAE	\$9,850	\$9,750	\$10,190	\$930	B / Medium	C	1/2	7/8	650
HDSZ-0150MS#AB-D	ZS11KAE	\$8,680	\$8,570	\$9,010	\$930	A / Small	B	1/2	7/8	400
HDSZ-0150MS#BC-D	ZS11KAE	\$10,040	\$9,930	\$10,370	\$930	B / Medium	C	1/2	7/8	650
HDSZ-0180MS#AB-D	ZS13KAE	\$8,680	\$8,580	\$9,010	\$930	A / Small	B	1/2	7/8	400
HDSZ-0180MS#BC-D	ZS13KAE	\$10,040	\$9,940	\$10,370	\$930	B / Medium	C	1/2	7/8	650
HDSZ-0200MS#BC-D	ZB15KCE	\$8,260	\$8,260	\$8,690	\$930	B / Medium	C	1/2	7/8	650
HDSZ-0200MS#DE-D	ZB15KCE	\$10,230	\$10,220	\$10,720	\$930	D / Medium	E	1/2	7/8	650
HDSZ-0250MS#BC-D	ZB19KCE	-	\$7,290	\$7,730	\$930	B / Medium	C	1/2	7/8	650
HDSZ-0250MS#DE-D	ZB19KCE	-	\$9,260	\$9,750	\$930	D / Medium	E	1/2	7/8	650
HDSZ-0300MS#BC-D	ZB21KCE	\$7,760	\$7,750	\$8,190	\$930	B / Medium	C	1/2	7/8	650
HDSZ-0300MS#DE-D	ZB21KCE	\$9,720	\$9,720	\$10,210	\$930	D / Medium	E	1/2	7/8	650
HDSZ-0350MS#BC-D	ZB26KCE	\$7,830	\$7,820	\$8,260	\$930	B / Medium	C	1/2	7/8	650
HDSZ-0350MS#DE-D	ZB26KCE	\$9,800	\$9,790	\$10,290	\$930	D / Medium	E	1/2	7/8	650
HDSZ-0400MS#BC-D	ZB30KCE	\$8,200	\$8,190	\$8,620	\$1,060	B / Medium	C	5/8	7/8	650
HDSZ-0400MS#DE-D	ZB30KCE	\$10,160	\$10,160	\$10,650	\$1,060	D / Medium	E	5/8	7/8	650
HDSZ-0500MS#DE-D	ZB38KCE	\$9,960	\$9,940	\$10,440	\$1,060	D / Medium	E	5/8	7/8	650
HDSZ-0500MS#FF-D	ZB38KCE	\$13,170	\$13,160	\$13,780	\$1,060	F / Large	F	5/8	7/8	1,250
HDSZ-0600MS#FF-D	ZB48KCE	-	\$13,660	\$14,280	\$1,060	F / Large	F	5/8	7/8	1,250
HDSZ-0600MS#JH-D	ZB48KCE	-	\$18,710	\$19,450	\$1,060	J / X-Large	H	5/8	7/8	1,575
HDSZ-0750MS#FF-D	ZB58K5E	-	\$15,920	\$16,520	\$1,910	F / Large	F	5/8	1-3/8	1,250
HDSZ-0750MS#JH-D	ZB58K5E	-	\$20,970	\$21,700	\$1,910	J / X-Large	H	5/8	1-3/8	1,575
HDSZ-1000MS#FF-D	ZB76K5E	-	\$18,160	\$18,680	\$1,910	F / Large	F	5/8	1-3/8	1,250
HDSZ-1000MS#JH-D	ZB76K5E	-	\$23,210	\$23,500	\$1,910	J / X-Large	H	5/8	1-3/8	1,575
HDSZ-1300MS#JH-D	ZB95K5E	-	\$23,100	\$23,700	\$2,270	J / X-Large	H	7/8	1-3/8	1,575
HDSZ-1500MS#JH-D	ZB114K5E	-	\$23,410	\$23,810	\$2,270	J / X-Large	H	7/8	1-3/8	1,575

UNIT MODEL	COMPRESSOR MODEL	LIST PRICE			4 YEAR EXTENDED COMPRESSOR WARRANTY	TECHNICAL SPECIFICATIONS				SHIP WGT (LBS)
		208/1/60 D	208/3/60 K	460/3/60 M		CONDENSER AND CABINET SIZE	RCVR SIZE	CONNECTIONS (IN)		
								LIQUID	SUCTION	
<b>Scroll - Low Temperature R-404A</b>										
HDSZ-0200LS#AB-A	ZF06K4E	\$7,300	\$7,300	\$7,730	\$1,100	A / Small	B	1/2	7/8	400
HDSZ-0200LS#BC-D	ZF06K4E	\$8,660	\$8,660	\$9,090	\$1,100	B / Medium	C	1/2	7/8	650
HDSZ-0250LS#BC-D	ZF08K4E	\$8,840	\$8,840	\$9,270	\$1,100	B / Medium	C	1/2	7/8	650
HDSZ-0250LS#DE-D	ZF08K4E	\$10,810	\$10,810	\$11,300	\$1,100	D / Medium	E	1/2	7/8	650
HDSZ-0300LS#AB-D	ZF09K4E	\$7,730	\$7,720	\$8,160	\$1,100	A / Small	B	1/2	7/8	400
HDSZ-0300LS#BC-D	ZF09K4E	\$9,080	\$9,080	\$9,510	\$1,100	B / Medium	C	1/2	7/8	650
HDSZ-0350LS#BC-D	ZF11K4E	\$8,640	\$8,630	\$9,070	\$1,100	B / Medium	C	1/2	7/8	650
HDSZ-0350LS#DE-D	ZF11K4E	\$10,600	\$10,600	\$11,100	\$1,100	D / Medium	E	1/2	7/8	650
HDSZ-0400LS#BC-D	ZF13K4E	\$8,930	\$8,920	\$9,360	\$1,180	B / Medium	C	1/2	7/8	650
HDSZ-0400LS#DE-D	ZF13K4E	\$10,900	\$10,890	\$11,390	\$1,180	D / Medium	E	1/2	7/8	650
HDSZ-0500LS#BC-D	ZF15K4E	\$9,320	\$9,310	\$9,740	\$1,180	B / Medium	C	1/2	7/8	650
HDSZ-0500LS#DE-D	ZF15K4E	\$11,280	\$11,280	\$11,770	\$1,180	D / Medium	E	1/2	7/8	650
HDSZ-0600LS#BC-D	ZF18K4E	-	\$9,400	\$9,840	\$1,180	B / Medium	C	5/8	7/8	650
HDSZ-0600LS#DE-D	ZF18K4E	-	\$11,370	\$11,860	\$1,180	D / Medium	E	5/8	7/8	650
HDSZ-0750LS#DE-D	ZF25K4E	-	\$14,420	\$14,920	\$1,700	D / Medium	E	5/8	1-3/8	650
HDSZ-0750LS#FF-D	ZF25K4E	-	\$17,630	\$18,250	\$1,700	F / Large	F	5/8	1-3/8	1,250
HDSZ-1000LS#DE-D	ZF34K5E	-	\$17,610	\$18,060	\$2,470	D / Medium	E	5/8	1-3/8	650
HDSZ-1000LS#FF-D	ZF34K5E	-	\$20,850	\$21,420	\$2,470	F / Large	F	5/8	1-3/8	1,250

- HE H-SERIES OPTIONS PAGE HAS STANDARD FEATURES AND BASIC OPTIONS LIST. USE H-SERIES SOFTWARE FOR ADDITIONAL CUSTOMIZATION.  
 - ORDERS MUST INCLUDE THE FULL MODEL NUMBER INCLUDING CONDENSER AND RECEIVER "HDSZ-0200MSKAB"  
 Standard options on HDSZ units include sealed liquid drier, pump down switch, time clock, and crating.





# HIGH EFFICIENCY H-SERIES PRODUCT DESCRIPTION - CONDENSING UNITS

Version: September 2023

## HDSZ - HIGH EFFICIENCY H-SERIES COPELAND SCROLL CONDENSING UNITS

UNIT MODEL	COMPRESSOR MODEL	LIST PRICE			4 YEAR EXTENDED COMPRESSOR WARRANTY	TECHNICAL SPECIFICATIONS					SHIP WGT (LBS)
		208/1/60 D	208/3/60 K	460/3/60 M		CONDENSER AND CABINET SIZE	RCVR SIZE	CONNECTIONS (IN)			
								LIQUID	SUCTION		
<b>Scroll - Medium Temperature R-448A</b>											
HDSZ-0080MT#AB-A	ZB06KAE	\$8,130	\$8,080	-	\$930	A / Small	B	1/2	7/8	400	
HDSZ-0080MT#BC-A	ZB06KAE	\$9,490	\$9,440	-	\$930	B / Medium	C	1/2	7/8	650	
HDSZ-0100MT#AB-A	ZB07KAE	\$8,210	\$8,170	-	\$930	A / Small	B	1/2	7/8	400	
HDSZ-0100MT#BC-A	ZB07KAE	\$9,570	\$9,530	-	\$930	B / Medium	C	1/2	7/8	650	
HDSZ-0120MT#AB-A	ZB08KAE	\$8,290	\$8,250	-	\$930	A / Small	B	1/2	7/8	400	
HDSZ-0120MT#BC-A	ZB08KAE	\$9,650	\$9,610	-	\$930	B / Medium	C	1/2	7/8	650	
HDSZ-0130MT#AB-A	ZS09KAE	\$8,490	\$8,390	\$8,830	\$930	A / Small	B	1/2	7/8	400	
HDSZ-0130MT#BC-A	ZS09KAE	\$9,850	\$9,750	\$10,190	\$930	B / Medium	C	1/2	7/8	650	
HDSZ-0150MT#AB-A	ZS11KAE	\$8,680	\$8,570	\$9,010	\$930	A / Small	B	1/2	7/8	400	
HDSZ-0150MT#BC-D	ZS11KAE	\$10,040	\$9,930	\$10,370	\$930	B / Medium	C	1/2	7/8	650	
HDSZ-0180MT#AB-A	ZS13KAE	\$8,680	\$8,580	\$9,010	\$930	A / Small	B	1/2	7/8	400	
HDSZ-0180MT#BC-D	ZS13KAE	\$10,040	\$9,940	\$10,370	\$930	B / Medium	C	1/2	7/8	650	
HDSZ-0200MT#BC-D	ZB15KCE	\$8,260	\$8,260	\$8,690	\$930	B / Medium	C	1/2	7/8	650	
HDSZ-0200MT#DE-D	ZB15KCE	\$10,230	\$10,220	\$10,720	\$930	D / Medium	E	1/2	7/8	650	
HDSZ-0250MT#BC-D	ZB19KCE	-	\$7,290	\$7,730	\$930	B / Medium	C	1/2	7/8	650	
HDSZ-0300MT#BC-D	ZB21KCE	\$7,760	\$7,750	\$8,190	\$930	B / Medium	C	1/2	7/8	650	
HDSZ-0300MT#DE-D	ZB21KCE	\$9,720	\$9,720	\$10,210	\$930	D / Medium	E	1/2	7/8	650	
HDSZ-0350MT#BC-D	ZB26KCE	\$7,830	\$7,820	\$8,260	\$930	B / Medium	C	1/2	7/8	650	
HDSZ-0350MT#DE-D	ZB26KCE	\$9,800	\$9,790	\$10,290	\$930	D / Medium	E	1/2	7/8	650	
HDSZ-0400MT#BC-D	ZB30KCE	\$8,200	\$8,190	\$8,620	\$1,060	B / Medium	C	5/8	7/8	650	
HDSZ-0400MT#DE-D	ZB30KCE	\$10,160	\$10,160	\$10,650	\$1,060	D / Medium	E	5/8	7/8	650	
HDSZ-0500MT#DE-D	ZB38KCE	\$9,930	\$9,920	\$10,410	\$1,060	D / Medium	E	5/8	7/8	650	
HDSZ-0500MT#FF-D	ZB38KCE	\$13,170	\$13,160	\$13,780	\$1,060	F / Large	F	5/8	7/8	1,250	
HDSZ-0600MT#FF-D	ZB48KCE	-	\$13,660	\$14,280	\$1,060	F / Large	F	5/8	7/8	1,250	
HDSZ-0600MT#JH-D	ZB48KCE	-	\$18,710	\$19,450	\$1,060	J / X-Large	H	5/8	7/8	1,575	
HDSZ-0750MT#FF-D	ZB58K5E	-	\$15,920	\$16,520	\$1,910	F / Large	F	5/8	1-3/8	1,250	
HDSZ-0750MT#JH-D	ZB58K5E	-	\$20,970	\$21,700	\$1,910	J / X-Large	H	5/8	1-3/8	1,575	
HDSZ-1000MT#FF-D	ZB76K5E	-	\$18,160	\$18,680	\$1,910	F / Large	F	5/8	1-3/8	1,250	
HDSZ-1000MT#JH-D	ZB76K5E	-	\$23,210	\$23,850	\$1,910	J / X-Large	H	5/8	1-3/8	1,575	
HDSZ-1300MT#JH-D	ZB95K5E	-	\$23,100	\$23,700	\$2,270	J / X-Large	H	7/8	1-3/8	1,575	
HDSZ-1500MT#JH-D	ZB114K5E	-	\$23,410	\$23,810	\$2,270	J / X-Large	H	7/8	1-3/8	1,575	

UNIT MODEL	COMPRESSOR MODEL	LIST PRICE			4 YEAR EXTENDED COMPRESSOR WARRANTY	TECHNICAL SPECIFICATIONS					SHIP WGT (LBS)
		208/1/60 D	208/3/60 K	460/3/60 M		CONDENSER AND CABINET SIZE	RCVR SIZE	CONNECTIONS (IN)			
								LIQUID	SUCTION		
<b>Scroll - Low Temperature R-448A</b>											
HDSZ-0200LT#AB-D	ZF06K4E	\$7,300	\$7,300	\$7,730	\$1,100	A / Small	B	1/2	7/8	400	
HDSZ-0200LT#BC-D	ZF06K4E	\$8,660	\$8,660	\$9,090	\$1,100	B / Medium	C	1/2	7/8	650	
HDSZ-0250LT#BC-D	ZF08K4E	\$8,840	\$8,840	\$9,270	\$1,100	B / Medium	C	1/2	7/8	650	
HDSZ-0250LT#DE-D	ZF08K4E	\$10,810	\$10,810	\$11,300	\$1,100	D / Medium	E	1/2	7/8	650	
HDSZ-0300LT#AB-D	ZF09K4E	\$7,730	\$7,720	\$8,160	\$1,100	A / Small	B	1/2	7/8	400	
HDSZ-0300LT#BC-D	ZF09K4E	\$9,080	\$9,080	\$9,510	\$1,100	B / Medium	C	1/2	7/8	650	
HDSZ-0350LT#BC-D	ZF11K4E	\$8,640	\$8,630	\$9,070	\$1,100	B / Medium	C	1/2	7/8	650	
HDSZ-0350LT#DE-D	ZF11K4E	\$10,600	\$10,600	\$11,100	\$1,100	D / Medium	E	1/2	7/8	650	
HDSZ-0400LT#BC-D	ZF13K4E	\$8,930	\$8,920	\$9,360	\$1,180	B / Medium	C	1/2	7/8	650	
HDSZ-0400LT#DE-D	ZF13K4E	\$10,900	\$10,890	\$11,390	\$1,180	D / Medium	E	1/2	7/8	650	
HDSZ-0500LT#BC-D	ZF15K4E	\$9,320	\$9,310	\$9,740	\$1,180	B / Medium	C	1/2	7/8	650	
HDSZ-0500LT#DE-D	ZF15K4E	\$11,280	\$11,280	\$11,770	\$1,180	D / Medium	E	1/2	7/8	650	
HDSZ-0600LT#BC-D	ZF18K4E	-	\$9,400	\$9,840	\$1,180	B / Medium	C	5/8	7/8	650	
HDSZ-0600LT#DE-D	ZF18K4E	-	\$11,370	\$11,860	\$1,180	D / Medium	E	5/8	7/8	650	
HDSZ-0750LT#DE-D	ZF25K4E	-	\$14,420	\$14,920	\$1,700	D / Medium	E	5/8	1-3/8	650	
HDSZ-0750LT#FF-D	ZF25K4E	-	\$17,630	\$18,250	\$1,700	F / Large	F	5/8	1-3/8	1,250	
HDSZ-1000LT#DE-D	ZF34K5E	-	\$17,610	\$18,060	\$2,470	D / Medium	E	5/8	1-3/8	650	
HDSZ-1000LT#FF-D	ZF34K5E	-	\$20,820	\$21,390	\$2,470	F / Large	F	5/8	1-3/8	1,250	

- HE H-SERIES OPTIONS PAGE HAS STANDARD FEATURES AND BASIC OPTIONS LIST. USE H-SERIES SOFTWARE FOR ADDITIONAL CUSTOMIZATION.

- ORDERS MUST INCLUDE THE FULL MODEL NUMBER INCLUDING CONDENSER AND RECEIVER "HDSZ-0200MTKAB"

Standard options on HDSZ units include sealed liquid drier, pump down switch, time clock, and crating.



# HIGH EFFICIENCY H-SERIES PRODUCT DESCRIPTION - CONDENSING UNITS

Version: **September 2023**

## HDSS - HIGH EFFICIENCY H-SERIES COPELAND SEMI-HERMETIC CONDENSING UNITS

UNIT MODEL	COMPRESSOR MODEL	LIST PRICE			4 YEAR EXTENDED COMPRESSOR WARRANTY	TECHNICAL SPECIFICATIONS				SHIP WGT (LBS)
		208/1/60 D	208/3/60 K	460/3/60 M		CONDENSER AND CABINET SIZE	RCVR SIZE	CONNECTIONS (IN)		
								LIQUID	SUCTION	
<b>Semi-Hermetic - Low Temperature R-507A</b>										
HDSS-0050LP#AB-D	KAN#-006E	-	\$6,520	-	\$710	A / Small	B	1/2	7/8	400
HDSS-0050LP#AB-D	KAN#-005E	\$6,520	-	-	\$710	A / Small	B	1/2	7/8	400
HDSS-0050LP#BC-A	KAN#-006E	-	\$7,880	-	\$710	B / Medium	C	1/2	7/8	650
HDSS-0050LP#BC-A	KAN#-005E	\$7,880	-	-	\$710	B / Medium	C	1/2	7/8	650
HDSS-0070LP#AB-D	KAM#-007E	\$6,750	\$6,750	-	\$710	A / Small	B	1/2	7/8	400
HDSS-0070LP#BC-D	KAM#-007E	\$8,100	\$8,110	-	\$710	B / Medium	C	1/2	7/8	650
HDSS-0100LP#AB-D	KAJ#-011E	-	\$6,760	\$7,200	\$710	A / Small	B	1/2	7/8	400
HDSS-0100LP#BC-D	KAJ#-011E	-	\$8,120	\$8,560	\$710	B / Medium	C	1/2	7/8	650
HDSS-0150LP#BC-D	KAL#-015E	\$9,000	\$9,000	\$9,440	\$810	B / Medium	C	1/2	7/8	650
HDSS-0200LP#AB-D	EAV#-021E	\$8,360	\$8,350	\$8,790	\$1,410	A / Small	B	1/2	7/8	400
HDSS-0200LP#BC-A	EAV#-021E	\$9,720	\$9,710	\$10,150	\$1,410	B / Medium	C	1/2	7/8	650

- HE H-SERIES OPTIONS PAGE HAS STANDARD FEATURES AND BASIC OPTIONS LIST. USE H-SERIES SOFTWARE FOR ADDITIONAL CUSTOMIZATION.  
 - ORDERS MUST INCLUDE THE FULL MODEL NUMBER INCLUDING CONDENSER AND RECEIVER "HDSS-0070LSKAB"  
 Standard options on HDSS units include sealed liquid drier, pump down switch, time clock, and crating.



# HIGH EFFICIENCY H-SERIES PRODUCT DESCRIPTION - CONDENSING UNITS

Version: **September 2023**

## HDSS - HIGH EFFICIENCY H-SERIES COPELAND SEMI-HERMETIC CONDENSING UNITS

UNIT MODEL	COMPRESSOR MODEL	LIST PRICE			4 YEAR EXTENDED COMPRESSOR WARRANTY	TECHNICAL SPECIFICATIONS				SHIP WGT (LBS)
		208/1/60 D	208/3/60 K	460/3/60 M		CONDENSER AND CABINET SIZE	RCVR SIZE	CONNECTIONS (IN)		
								LIQUID	SUCTION	
<b>Semi-Hermetic - Medium Temperature R-449A</b>										
HDSS-0072MR#BC-A	KAN#-007E	\$8,210	\$8,110	-	\$710	B / Medium	C	1/2	5/8	650
HDSS-0100MR#BC-A	KAR#-010E	\$8,190	\$8,210	\$8,630	\$710	B / Medium	C	1/2	7/8	650
HDSS-0200MR#BC-D	KAK#-020E	\$8,570	\$8,570	-	\$810	B / Medium	C	1/2	7/8	650
HDSS-0201MR#BC-A	ERC#-021E	-	\$8,850	\$9,290	\$1,410	B / Medium	C	1/2	7/8	650
HDSS-0300MR#DE-A	ERF#-031E	-	\$10,910	\$11,400	\$1,410	D / Medium	E	1/2	1-1/8	650

UNIT MODEL	COMPRESSOR MODEL	LIST PRICE			4 YEAR EXTENDED COMPRESSOR WARRANTY	TECHNICAL SPECIFICATIONS				SHIP WGT (LBS)
		208/1/60 D	208/3/60 K	460/3/60 M		CONDENSER AND CABINET SIZE	RCVR SIZE	CONNECTIONS (IN)		
								LIQUID	SUCTION	
<b>Semi-Hermetic - Low Temperature R-449A</b>										
HDSS-0050LR#AB-A	KAN#-005E	\$6,520	-	-	\$710	A / Small	B	1/2	7/8	400
HDSS-0050LR#BC-A	KAN#-005E	\$7,880	-	-	\$710	B / Medium	C	1/2	7/8	650
HDSS-0070LR#AB-A	KAM#-007E	\$6,750	\$6,750	-	\$710	A / Small	B	1/2	7/8	400
HDSS-0070LR#BC-A	KAM#-007E	\$8,100	\$8,110	-	\$710	B / Medium	C	1/2	7/8	650
HDSS-0100LR#AB-A	KAJ#-011E	-	\$6,760	\$7,200	\$710	A / Small	B	1/2	7/8	400
HDSS-0100LR#BC-A	KAJ#-011E	-	\$8,120	\$8,560	\$710	B / Medium	C	1/2	7/8	650
HDSS-0150LR#BC-A	KAL#-015E	\$9,000	\$9,000	\$9,440	\$810	B / Medium	C	1/2	7/8	650
HDSS-0200LR#AB-D	EAV#-021E	\$8,360	\$8,350	\$8,790	\$1,410	A / Small	B	1/2	7/8	400
HDSS-0200LR#BC-D	EAV#-021E	\$9,720	\$9,710	\$10,150	\$1,410	B / Medium	C	1/2	7/8	650
HDSS-0250LR#BC-D	LAH#-032E	\$9,840	\$9,830	\$10,270	\$1,630	B / Medium	C	1/2	1-1/8	650
HDSS-0250LR#DE-D	LAH#-032E	\$11,800	\$11,800	\$12,290	\$1,630	D / Medium	E	1/2	1-1/8	650

- HE H-SERIES OPTIONS PAGE HAS STANDARD FEATURES AND BASIC OPTIONS LIST. USE H-SERIES SOFTWARE FOR ADDITIONAL CUSTOMIZATION.

- ORDERS MUST INCLUDE THE FULL MODEL NUMBER INCLUDING CONDENSER AND RECEIVER "HDSS-0070LSKAB"

Standard options on HDSS units include sealed liquid drier, pump down switch, time clock, and crating.





# HIGH EFFICIENCY H-SERIES PRODUCT DESCRIPTION - CONDENSING UNITS

Version: September 2023

## HDSS - HIGH EFFICIENCY H-SERIES COPELAND SEMI-HERMETIC CONDENSING UNITS

UNIT MODEL	COMPRESSOR MODEL	LIST PRICE			4 YEAR EXTENDED COMPRESSOR WARRANTY	TECHNICAL SPECIFICATIONS				SHIP WGT (LBS)
		208/1/60 D	208/3/60 K	460/3/60 M		CONDENSER AND CABINET SIZE	RCVR SIZE	CONNECTIONS (IN)		
								LIQUID	SUCTION	
<b>Semi-Hermetic - Medium Temperature R-404A</b>										
HDSS-0072MS#BC-A	KAN#-007E	\$8,210	\$8,110	-	\$710	B / Medium	C	1/2	5/8	650
HDSS-0100MS#BC-A	KAR#-010E	\$8,190	\$8,210	NOTE 1	\$710	B / Medium	C	1/2	7/8	650
HDSS-0200MS#BC-D	KAK#-020E	\$8,570	\$8,570	-	\$810	B / Medium	C	1/2	7/8	650
HDSS-0201MS#BC-D	ERC#-021E	-	\$8,850	\$9,290	\$1,410	B / Medium	C	1/2	7/8	650
HDSS-0300MS#DE-D	ERF#-031E	-	\$10,910	\$11,400	\$1,410	D / Medium	E	1/2	1-1/8	650

UNIT MODEL	COMPRESSOR MODEL	LIST PRICE			4 YEAR EXTENDED COMPRESSOR WARRANTY	TECHNICAL SPECIFICATIONS				SHIP WGT (LBS)
		208/1/60 D	208/3/60 K	460/3/60 M		CONDENSER AND CABINET SIZE	RCVR SIZE	CONNECTIONS (IN)		
								LIQUID	SUCTION	
<b>Semi-Hermetic - Low Temperature R-404A</b>										
HDSS-0050LS#AB-A	KAN#-006E	-	\$6,520	-	\$710	A / Small	B	1/2	7/8	400
HDSS-0050LS#AB-A	KAN#-005E	\$6,520	-	-	\$710	A / Small	B	1/2	7/8	400
HDSS-0050LS#BC-A	KAN#-006E	-	\$7,880	-	\$710	B / Medium	C	1/2	7/8	650
HDSS-0050LS#BC-A	KAN#-005E	\$7,880	-	-	\$710	B / Medium	C	1/2	7/8	650
HDSS-0070LS#AB-D	KAM#-007E	\$6,750	\$6,750	-	\$710	A / Small	B	1/2	7/8	400
HDSS-0070LS#BC-D	KAM#-007E	\$8,100	\$8,110	-	\$710	B / Medium	C	1/2	7/8	650
HDSS-0100LS#AB-D	KAJ#-011E	-	\$6,760	\$7,200	\$710	A / Small	B	1/2	7/8	400
HDSS-0100LS#BC-D	KAJ#-011E	-	\$8,120	\$8,560	\$710	B / Medium	C	1/2	7/8	650
HDSS-0150LS#BC-D	KAL#-015E	\$9,000	\$9,000	\$9,440	\$810	B / Medium	C	1/2	7/8	650
HDSS-0200LS#AB-D	EAV#-021E	NOTE 1	\$8,350	\$8,790	\$1,410	A / Small	B	1/2	7/8	400
HDSS-0200LS#BC-D	EAV#-021E	NOTE 1	\$9,710	\$10,150	\$1,410	B / Medium	C	1/2	7/8	650
HDSS-0250LS#BC-D	LAH#-032E	\$9,840	\$9,830	\$10,270	\$1,630	B / Medium	C	1/2	1-1/8	650
HDSS-0250LS#DE-D	LAH#-032E	\$11,800	\$11,800	\$12,290	\$1,630	D / Medium	E	1/2	1-1/8	650

- HE H-SERIES OPTIONS PAGE HAS STANDARD FEATURES AND BASIC OPTIONS LIST. USE H-SERIES SOFTWARE FOR ADDITIONAL CUSTOMIZATION.  
 - ORDERS MUST INCLUDE THE FULL MODEL NUMBER INCLUDING CONDENSER AND RECEIVER "HDSS-0070LSKAB"  
 Standard options on HDSS units include sealed liquid drier, pump down switch, time clock, and crating.

NOTE 1 : CONTACT AN APPLICATION OR SALES ENGINEER FOR PRICING.



# HIGH EFFICIENCY H-SERIES PRODUCT DESCRIPTION - CONDENSING UNITS

Version: September 2023

## HDSS - HIGH EFFICIENCY H-SERIES COPELAND SEMI-HERMETIC CONDENSING UNITS

UNIT MODEL	COMPRESSOR MODEL	LIST PRICE			4 YEAR EXTENDED COMPRESSOR WARRANTY	TECHNICAL SPECIFICATIONS				SHIP WGT (LBS)
		208/1/60 D	208/3/60 K	460/3/60 M		CONDENSER AND CABINET SIZE	RCVR SIZE	CONNECTIONS (IN)		
								LIQUID	SUCTION	
<b>Semi-Hermetic - Medium Temperature - R-448A</b>										
HDSS-0072MT#BC-A	KAN#-007E	\$8,210	\$8,110	-	\$710	B / Medium	C	1/2	5/8	650
HDSS-0100MT#BC-A	KAR#-010E	\$8,190	\$8,210	\$8,630	\$710	B / Medium	C	1/2	7/8	650
HDSS-0200MT#BC-D	KAK#-020E	\$8,570	\$8,570	-	\$810	B / Medium	C	1/2	7/8	650
HDSS-0201MT#BC-A	ERC#-021E	-	\$8,850	\$9,290	\$1,410	B / Medium	C	1/2	7/8	650
HDSS-0300MT#DE-A	ERF#-031E	-	\$10,910	\$11,400	\$1,410	D / Medium	E	1/2	1-1/8	650

UNIT MODEL	COMPRESSOR MODEL	LIST PRICE			4 YEAR EXTENDED COMPRESSOR WARRANTY	TECHNICAL SPECIFICATIONS				SHIP WGT (LBS)
		208/1/60 D	208/3/60 K	460/3/60 M		CONDENSER AND CABINET SIZE	RCVR SIZE	CONNECTIONS (IN)		
								LIQUID	SUCTION	
<b>Semi-Hermetic - Low Temperature R-448A</b>										
HDSS-0050LT#AB-A	KAN#-005E	\$6,520	-	-	\$710	A / Small	B	1/2	7/8	400
HDSS-0050LT#BC-A	KAN#-005E	\$7,880	-	-	\$710	B / Medium	C	1/2	7/8	650
HDSS-0070LT#AB-A	KAM#-007E	\$6,750	\$6,750	-	\$710	A / Small	B	1/2	7/8	400
HDSS-0070LT#BC-A	KAM#-007E	\$8,100	\$8,110	-	\$710	B / Medium	C	1/2	7/8	650
HDSS-0100LT#AB-A	KAJ#-011E	-	\$6,760	\$7,200	\$710	A / Small	B	1/2	7/8	400
HDSS-0100LT#BC-A	KAJ#-011E	-	\$8,120	\$8,560	\$710	B / Medium	C	1/2	7/8	650
HDSS-0150LT#BC-A	KAL#-015E	\$9,000	\$9,000	\$9,440	\$810	B / Medium	C	1/2	7/8	650
HDSS-0200LT#AB-D	EAV#-021E	\$8,360	SEE NOTE 1	SEE NOTE 1	\$1,410	A / Small	B	1/2	7/8	400
HDSS-0200LT#BC-D	EAV#-021E	SEE NOTE 1	\$9,710	\$10,150	\$1,410	B / Medium	C	1/2	7/8	650
HDSS-0250LT#BC-D	LAH#-032E	\$9,840	\$9,830	\$10,270	\$1,630	B / Medium	C	1/2	1-1/8	650
HDSS-0250LT#DE-D	LAH#-032E	\$11,800	\$11,800	\$12,290	\$1,630	D / Medium	E	1/2	1-1/8	650

- HE H-SERIES OPTIONS PAGE HAS STANDARD FEATURES AND BASIC OPTIONS LIST. USE H-SERIES SOFTWARE FOR ADDITIONAL CUSTOMIZATION.  
 - ORDERS MUST INCLUDE THE FULL MODEL NUMBER INCLUDING CONDENSER AND RECEIVER "HDSS-0070LSKAB"  
 Standard options on HDSS units include sealed liquid drier, pump down switch, time clock, and crating.

NOTE 1 : CONTACT AN APPLICATION OR SALES ENGINEER FOR PRICING.



# HIGH EFFICIENCY H-SERIES PRODUCT DESCRIPTION - CONDENSING UNITS

Version: **September 2023**

## HDSD - HIGH EFFICIENCY H-SERIES COPELAND DISCUS CONDENSING UNITS

UNIT MODEL	COMPRESSOR MODEL	LIST PRICE		4 YEAR EXTENDED COMPRESSOR WARRANTY	TECHNICAL SPECIFICATIONS				SHIP WGT (LBS)
		208/3/60 K	460/3/60 M		CONDENSER AND CABINET SIZE	RCVR SIZE	CONNECTIONS (IN)		
Discus - Medium Temperature R-507A									
HDSD-0500MP#BC-D	2DC3R53KE	\$12,870	\$13,310	\$2,120	B / Medium	C	1/2	1-3/8	650
HDSD-0500MP#DE-D	2DC3R53KE	\$14,840	\$15,330	\$2,120	D / Medium	E	1/2	1-3/8	650
HDSD-0501MP#DE-D	2DD3R63KE	\$14,940	\$15,430	\$2,120	D / Medium	E	5/8	1-3/8	650
HDSD-0501MP#FF-D	2DD3R63KE	\$18,150	\$18,770	\$2,120	F / Large	F	5/8	1-3/8	1,250
HDSD-0750MP#FF-D	2DL3R78KE	\$19,000	\$19,610	\$2,120	F / Large	F	5/8	1-3/8	1,250
HDSD-0750MP#JH-D	2DL3R78KE	\$24,060	\$24,790	\$2,120	J / X-Large	H	5/8	1-3/8	1,575
HDSD-0751MP#FF-D	2DA3R89KE	\$18,370	\$18,980	\$2,120	F / Large	F	5/8	1-3/8	1,250
HDSD-0751MP#JH-D	2DA3R89KE	\$23,420	\$24,150	\$2,120	J / X-Large	H	5/8	1-3/8	1,575
HDSD-0752MP#FF-D	3DA3R10ME	\$19,020	\$19,530	\$2,650	F / Large	F	5/8	1-3/8	1,250
HDSD-0752MP#JH-D	3DA3R10ME	\$24,070	\$24,710	\$2,650	J / X-Large	H	5/8	1-3/8	1,575
HDSD-1000MP#FF-D	3DB3R12ME	\$19,980	\$20,500	\$2,650	F / Large	F	7/8	1-3/8	1,250
HDSD-1000MP#JH-D	3DB3R12ME	\$25,030	\$25,670	\$2,650	J / X-Large	H	7/8	1-3/8	1,575
HDSD-1200MP#JH-D	3DF3R15ME	\$24,170	\$24,800	\$2,650	J / X-Large	H	7/8	1-3/8	1,575
HDSD-1500MP#JH-D	3DS3R17ME	\$24,270	\$24,830	\$2,650	J / X-Large	H	7/8	1-5/8	1,575

UNIT MODEL	COMPRESSOR MODEL	LIST PRICE		4 YEAR EXTENDED COMPRESSOR WARRANTY	TECHNICAL SPECIFICATIONS				SHIP WGT (LBS)
		208/3/60 K	460/3/60 M		CONDENSER AND CABINET SIZE	RCVR SIZE	CONNECTIONS (IN)		
Discus - Low Temperature R-507A									
HDSD-0300LP#BC-D	2DF3F16KE	\$12,770	\$13,200	\$2,120	B / Medium	C	1/2	1-3/8	650
HDSD-0300LP#DE-D	2DF3F16KE	\$14,740	\$15,230	\$2,120	D / Medium	E	1/2	1-3/8	650
HDSD-0400LP#BC-D	2DL3F20KE	\$13,160	\$13,590	\$2,120	B / Medium	C	5/8	1-3/8	650
HDSD-0400LP#DE-D	2DL3F20KE	\$15,120	\$15,620	\$2,120	D / Medium	E	5/8	1-3/8	650
HDSD-0600LP#BC-D	2DB3F25KE	\$13,700	\$14,130	\$2,120	B / Medium	C	5/8	1-3/8	650
HDSD-0600LP#DE-D	2DB3F25KE	\$15,670	\$16,160	\$2,120	D / Medium	E	5/8	1-3/8	650
HDSD-0601LP#BC-D	3DA3F28KE	\$13,810	\$14,250	\$2,650	B / Medium	C	5/8	1-3/8	650
HDSD-0601LP#DE-D	3DA3F28KE	\$15,780	\$16,280	\$2,650	D / Medium	E	5/8	1-3/8	650
HDSD-0750LP#DE-D	3DB3F33KE	\$15,880	\$16,360	\$2,650	D / Medium	E	5/8	1-3/8	650
HDSD-0750LP#FF-D	3DB3F33KE	\$19,090	\$19,700	\$2,650	F / Large	F	5/8	1-3/8	1,250
HDSD-0900LP#FF-D	3DF3F40KE	\$19,770	\$20,340	\$2,650	F / Large	F	5/8	1-3/8	1,250
HDSD-0900LP#JH-D	3DF3F40KE	\$24,820	\$25,520	\$2,650	J / X-Large	H	5/8	1-3/8	1,575
HDSD-1000LP#FF-D	3DS3F46KE	\$21,030	\$21,540	\$2,650	F / Large	F	5/8	1-3/8	1,250
HDSD-1000LP#JH-D	3DS3F46KE	\$26,080	\$26,720	\$2,650	J / X-Large	H	5/8	1-3/8	1,575
HDSD-1500LP#JH-D	4DHNF63KE	\$27,610	\$28,220	\$3,840	J / X-Large	H	7/8	1-5/8	1,575
HDSD-2200LP#FF-A	4DJNF76KE	\$23,040	\$23,320	\$3,840	F / Large	F	7/8	2-1/8	1,250
HDSD-2200LP#JH-D	4DJNF76KE	\$28,090	\$28,500	\$3,840	J / X-Large	H	7/8	2-1/8	1,575

- HE H-SERIES OPTIONS PAGE HAS STANDARD FEATURES AND BASIC OPTIONS LIST. USE H-SERIES SOFTWARE FOR ADDITIONAL CUSTOMIZATION.

- ORDERS MUST INCLUDE THE FULL MODEL NUMBER "HDSD-0500MPKBD-D"

HDSD options include sealed liquid drier, pump down switch, time clock, solid mounted compressor, and crating.



# HIGH EFFICIENCY H-SERIES PRODUCT DESCRIPTION - CONDENSING UNITS

Version: September 2023

## HDSD - HIGH EFFICIENCY H-SERIES COPELAND DISCUS CONDENSING UNITS

UNIT MODEL	COMPRESSOR MODEL	LIST PRICE		4 YEAR EXTENDED COMPRESSOR WARRANTY	TECHNICAL SPECIFICATIONS				SHIP WGT (LBS)
		208/3/60 K	460/3/60 M		CONDENSER AND CABINET SIZE	RCVR SIZE	CONNECTIONS (IN)		
							LIQUID	SUCTION	
<b>Discus - Medium Temperature R-407F</b>									
HDSD-0500MF#BC-D	2DC3R53KE	\$12,870	\$13,310	\$2,120	B / Medium	C	1/2	1-3/8	650
HDSD-0500MF#DE-D	2DC3R53KE	\$14,840	\$15,330	\$2,120	D / Medium	E	1/2	1-3/8	650
HDSD-0501MF#DE-D	2DD3R63KE	\$14,910	\$15,400	\$2,120	D / Medium	E	5/8	1-3/8	650
HDSD-0501MF#FF-D	2DD3R63KE	\$18,150	\$18,770	\$2,120	F / Large	F	5/8	1-3/8	1,250
HDSD-0750MF#FF-D	2DL3R78KE	\$19,000	\$19,610	\$2,120	F / Large	F	5/8	1-3/8	1,250
HDSD-0750MF#JH-D	2DL3R78KE	\$24,060	\$24,790	\$2,120	J / X-Large	H	5/8	1-3/8	1,575
HDSD-0751MF#FF-D	2DA3R89KE	\$18,370	\$18,980	\$2,120	F / Large	F	5/8	1-3/8	1,250
HDSD-0751MF#JH-D	2DA3R89KE	\$23,420	\$24,150	\$2,120	J / X-Large	H	5/8	1-3/8	1,575
HDSD-0752MF#FF-D	3DA3R10ME	\$18,970	\$19,480	\$2,650	F / Large	F	5/8	1-3/8	1,250
HDSD-0752MF#JH-D	3DA3R10ME	\$24,020	\$24,660	\$2,650	J / X-Large	H	5/8	1-3/8	1,575
HDSD-1000MF#FF-D	3DB3R12ME	\$19,930	\$20,450	\$2,650	F / Large	F	7/8	1-3/8	1,250
HDSD-1000MF#JH-D	3DB3R12ME	\$25,030	\$25,670	\$2,650	J / X-Large	H	7/8	1-3/8	1,575
HDSD-1200MF#JH-D	3DF3R15ME	\$24,170	\$24,800	\$2,650	J / X-Large	H	7/8	1-3/8	1,575
HDSD-1500MF#JH-D	3DS3R17ME	\$24,270	\$24,830	\$2,650	J / X-Large	H	7/8	1-5/8	1,575

UNIT MODEL	COMPRESSOR MODEL	LIST PRICE		4 YEAR EXTENDED COMPRESSOR WARRANTY	TECHNICAL SPECIFICATIONS				SHIP WGT (LBS)
		208/3/60 K	460/3/60 M		CONDENSER AND CABINET SIZE	RCVR SIZE	CONNECTIONS (IN)		
							LIQUID	SUCTION	
<b>Discus - Low Temperature - INCLUDES DEMAND COOLING REQUIRED FOR R-407F</b>									
HDSD-0300LF#BC-D	2DF3F16KE	\$14,230	\$14,660	\$2,120	B / Medium	C	1/2	1-3/8	650
HDSD-0300LF#DE-D	2DF3F16KE	\$16,200	\$16,690	\$2,120	D / Medium	E	1/2	1-3/8	650
HDSD-0400LF#BC-D	2DL3F20KE	\$14,620	\$15,050	\$2,120	B / Medium	C	5/8	1-3/8	650
HDSD-0400LF#DE-D	2DL3F20KE	\$16,580	\$17,080	\$2,120	D / Medium	E	5/8	1-3/8	650
HDSD-0600LF#BC-D	2DB3F25KE	\$15,160	\$15,590	\$2,120	B / Medium	C	5/8	1-3/8	650
HDSD-0600LF#DE-D	2DB3F25KE	\$17,130	\$17,620	\$2,120	D / Medium	E	5/8	1-3/8	650
HDSD-0601LF#BC-D	3DA3F28KE	\$15,280	\$15,710	\$2,650	B / Medium	C	5/8	1-3/8	650
HDSD-0601LF#DE-D	3DA3F28KE	\$17,240	\$17,740	\$2,650	D / Medium	E	5/8	1-3/8	650
HDSD-0750LF#DE-D	3DB3F33KE	\$17,310	\$17,800	\$2,650	D / Medium	E	5/8	1-3/8	650
HDSD-0750LF#FF-D	3DB3F33KE	\$20,530	\$21,130	\$2,650	F / Large	F	5/8	1-3/8	1,250
HDSD-0900LF#FF-D	3DF3F40KE	\$21,230	\$21,800	\$2,650	F / Large	F	5/8	1-3/8	1,250
HDSD-0900LF#JH-D	3DF3F40KE	\$26,280	\$26,980	\$2,650	J / X-Large	H	5/8	1-3/8	1,575
HDSD-1000LF#FF-D	3DS3F46KE	\$22,490	\$23,000	\$2,650	F / Large	F	5/8	1-3/8	1,250
HDSD-1000LF#JH-D	3DS3F46KE	\$27,540	\$28,180	\$2,650	J / X-Large	H	5/8	1-3/8	1,575
HDSD-1500LF#JH-D	4DHN63KE	\$28,970	\$29,580	\$3,840	J / X-Large	H	7/8	1-5/8	1,575
HDSD-2200LF#FF-A	4DJNF76KE	\$24,400	\$24,680	\$3,840	F / Large	F	7/8	2-1/8	1,250
HDSD-2200LF#JH-A	4DJNF76KE	\$29,450	\$29,860	\$3,840	J / X-Large	H	7/8	2-1/8	1,575

- HE H-SERIES OPTIONS PAGE HAS STANDARD FEATURES AND BASIC OPTIONS LIST. USE H-SERIES SOFTWARE FOR ADDITIONAL CUSTOMIZATION.

- ORDERS MUST INCLUDE THE FULL MODEL NUMBER "HDSD-0500MFKBD-D"

HDSD options include sealed liquid drier, pump down switch, time clock, solid mounted compressor, and crating.



# HIGH EFFICIENCY H-SERIES PRODUCT DESCRIPTION - CONDENSING UNITS

Version: **September 2023**

## HDSD - HIGH EFFICIENCY H-SERIES COPELAND DISCUS CONDENSING UNITS

UNIT MODEL	COMPRESSOR MODEL	LIST PRICE		4 YEAR EXTENDED COMPRESSOR WARRANTY	TECHNICAL SPECIFICATIONS				SHIP WGT (LBS)
		208/3/60 K	460/3/60 M		CONDENSER AND CABINET SIZE	RCVR SIZE	CONNECTIONS (IN)		
Discus - Medium Temperature R-407A									
HDSD-0500MQ#BC-D	2DC3R53KE	\$12,870	\$13,310	\$2,120	B / Medium	C	1/2	1-3/8	650
HDSD-0500MQ#DE-D	2DC3R53KE	\$14,840	\$15,330	\$2,120	D / Medium	E	1/2	1-3/8	650
HDSD-0501MQ#DE-D	2DD3R63KE	\$14,940	\$15,430	\$2,120	D / Medium	E	5/8	1-3/8	650
HDSD-0501MQ#FF-D	2DD3R63KE	\$18,150	\$18,770	\$2,120	F / Large	F	5/8	1-3/8	1,250
HDSD-0750MQ#FF-D	2DL3R78KE	\$19,000	\$19,610	\$2,120	F / Large	F	5/8	1-3/8	1,250
HDSD-0750MQ#JH-D	2DL3R78KE	\$24,060	\$24,790	\$2,120	J / X-Large	H	5/8	1-3/8	1,575
HDSD-0751MQ#FF-D	2DA3R89KE	\$18,370	\$18,980	\$2,120	F / Large	F	5/8	1-3/8	1,250
HDSD-0751MQ#JH-D	2DA3R89KE	\$23,420	\$24,150	\$2,120	J / X-Large	H	5/8	1-3/8	1,575
HDSD-0752MQ#FF-D	3DA3R10ME	\$19,020	\$19,530	\$2,650	F / Large	F	5/8	1-3/8	1,250
HDSD-0752MQ#JH-D	3DA3R10ME	\$24,070	\$24,710	\$2,650	J / X-Large	H	5/8	1-3/8	1,575
HDSD-1000MQ#FF-D	3DB3R12ME	\$19,980	\$20,500	\$2,650	F / Large	F	7/8	1-3/8	1,250
HDSD-1000MQ#JH-D	3DB3R12ME	\$25,030	\$25,670	\$2,650	J / X-Large	H	7/8	1-3/8	1,575
HDSD-1200MQ#JH-D	3DF3R15ME	\$24,170	\$24,800	\$2,650	J / X-Large	H	7/8	1-3/8	1,575
HDSD-1500MQ#JH-D	3DS3R17ME	\$24,270	\$24,830	\$2,650	J / X-Large	H	7/8	1-5/8	1,575

UNIT MODEL	COMPRESSOR MODEL	LIST PRICE		4 YEAR EXTENDED COMPRESSOR WARRANTY	TECHNICAL SPECIFICATIONS				SHIP WGT (LBS)
		208/3/60 K	460/3/60 M		CONDENSER AND CABINET SIZE	RCVR SIZE	CONNECTIONS (IN)		
Discus - Low Temperature - INCLUDES DEMAND COOLING REQUIRED FOR R-407A									
HDSD-0300LQ#BC-D	2DF3F16KE	\$14,230	\$14,660	\$2,120	B / Medium	C	1/2	1-3/8	650
HDSD-0300LQ#DE-D	2DF3F16KE	\$16,200	\$16,690	\$2,120	D / Medium	E	1/2	1-3/8	650
HDSD-0400LQ#BC-D	2DL3F20KE	\$14,620	\$15,050	\$2,120	B / Medium	C	5/8	1-3/8	650
HDSD-0400LQ#DE-D	2DL3F20KE	\$16,580	\$17,080	\$2,120	D / Medium	E	5/8	1-3/8	650
HDSD-0600LQ#BC-D	2DB3F25KE	\$15,160	\$15,590	\$2,120	B / Medium	C	5/8	1-3/8	650
HDSD-0600LQ#DE-D	2DB3F25KE	\$17,130	\$17,620	\$2,120	D / Medium	E	5/8	1-3/8	650
HDSD-0601LQ#BC-D	3DA3F28KE	\$15,280	\$15,710	\$2,650	B / Medium	C	5/8	1-3/8	650
HDSD-0601LQ#DE-D	3DA3F28KE	\$17,240	\$17,740	\$2,650	D / Medium	E	5/8	1-3/8	650
HDSD-0750LQ#DE-D	3DB3F33KE	\$17,310	\$17,800	\$2,650	D / Medium	E	5/8	1-3/8	650
HDSD-0750LQ#FF-D	3DB3F33KE	\$20,560	\$21,160	\$2,650	F / Large	F	5/8	1-3/8	1,250
HDSD-0900LQ#FF-D	3DF3F40KE	\$21,230	\$21,800	\$2,650	F / Large	F	5/8	1-3/8	1,250
HDSD-0900LQ#JH-D	3DF3F40KE	\$26,280	\$26,980	\$2,650	J / X-Large	H	5/8	1-3/8	1,575
HDSD-1000LQ#FF-D	3DS3F46KE	\$22,490	\$23,000	\$2,650	F / Large	F	5/8	1-3/8	1,250
HDSD-1000LQ#JH-D	3DS3F46KE	\$27,540	\$28,180	\$2,650	J / X-Large	H	5/8	1-3/8	1,575
HDSD-1500LQ#JH-D	4DHNF63KE	\$28,970	\$29,580	\$3,840	J / X-Large	H	7/8	1-5/8	1,575
HDSD-2200LQ#FF-A	4DJNF76KE	\$24,450	\$24,730	\$3,840	F / Large	F	7/8	2-1/8	1,250
HDSD-2200LQ#JH-A	4DJNF76KE	\$29,500	\$29,910	\$3,840	J / X-Large	H	7/8	2-1/8	1,575

- HE H-SERIES OPTIONS PAGE HAS STANDARD FEATURES AND BASIC OPTIONS LIST. USE H-SERIES SOFTWARE FOR ADDITIONAL CUSTOMIZATION.  
- ORDERS MUST INCLUDE THE FULL MODEL NUMBER "HDSD-0500MQKBD-D"

HDSD options include sealed liquid drier, pump down switch, time clock, solid mounted compressor, and crating.



# HIGH EFFICIENCY H-SERIES PRODUCT DESCRIPTION - CONDENSING UNITS

Version: September 2023

## HDSD - HIGH EFFICIENCY H-SERIES COPELAND DISCUS CONDENSING UNITS

UNIT MODEL	COMPRESSOR MODEL	LIST PRICE		4 YEAR EXTENDED COMPRESSOR WARRANTY	TECHNICAL SPECIFICATIONS				SHIP WGT (LBS)
		208/3/60 K	460/3/60 M		CONDENSER AND CABINET SIZE	RCVR SIZE	CONNECTIONS (IN)		
							LIQUID	SUCTION	
<b>Discus - Medium Temperature R-449A</b>									
HDSD-0500MR#BC-D	2DC3R53KE	\$12,870	\$13,310	\$2,120	B / Medium	C	1/2	1-3/8	650
HDSD-0500MR#DE-D	2DC3R53KE	\$14,840	\$15,330	\$2,120	D / Medium	E	1/2	1-3/8	650
HDSD-0501MR#DE-D	2DD3R63KE	\$14,940	\$15,430	\$2,120	D / Medium	E	5/8	1-3/8	650
HDSD-0501MR#FF-D	2DD3R63KE	\$18,150	\$18,770	\$2,120	F / Large	F	5/8	1-3/8	1,250
HDSD-0750MR#FF-D	2DL3R78KE	\$19,000	\$19,610	\$2,120	F / Large	F	5/8	1-3/8	1,250
HDSD-0750MR#JH-D	2DL3R78KE	\$24,060	\$24,790	\$2,120	J / X-Large	H	5/8	1-3/8	1,575
HDSD-0751MR#FF-D	2DA3R89KE	\$18,370	\$18,980	\$2,120	F / Large	F	5/8	1-3/8	1,250
HDSD-0751MR#JH-D	2DA3R89KE	\$23,420	\$24,150	\$2,120	J / X-Large	H	5/8	1-3/8	1,575
HDSD-0752MR#FF-D	3DA3R10ME	\$19,020	\$19,530	\$2,650	F / Large	F	5/8	1-3/8	1,250
HDSD-0752MR#JH-D	3DA3R10ME	\$24,070	\$24,710	\$2,650	J / X-Large	H	5/8	1-3/8	1,575
HDSD-1000MR#FF-D	3DB3R12ME	\$19,980	\$20,500	\$2,650	F / Large	F	7/8	1-3/8	1,250
HDSD-1000MR#JH-D	3DB3R12ME	\$25,030	\$25,670	\$2,650	J / X-Large	H	7/8	1-3/8	1,575
HDSD-1200MR#JH-D	3DF3R15ME	\$24,170	\$24,800	\$2,650	J / X-Large	H	7/8	1-3/8	1,575
HDSD-1500MR#JH-D	3DS3R17ME	\$24,270	\$24,830	\$2,650	J / X-Large	H	7/8	1-5/8	1,575

UNIT MODEL	COMPRESSOR MODEL	LIST PRICE		4 YEAR EXTENDED COMPRESSOR WARRANTY	TECHNICAL SPECIFICATIONS				SHIP WGT (LBS)
		208/3/60 K	460/3/60 M		CONDENSER AND CABINET SIZE	RCVR SIZE	CONNECTIONS (IN)		
							LIQUID	SUCTION	
<b>Discus - Low Temperature - INCLUDES DEMAND COOLING REQUIRED FOR R-449A</b>									
HDSD-0300LR#BC-D	2DF3F16KE	\$14,230	\$14,660	\$2,120	B / Medium	C	1/2	1-3/8	650
HDSD-0300LR#DE-D	2DF3F16KE	\$16,200	\$16,690	\$2,120	D / Medium	E	1/2	1-3/8	650
HDSD-0400LR#BC-D	2DL3F20KE	\$14,620	\$15,050	\$2,120	B / Medium	C	5/8	1-3/8	650
HDSD-0400LR#DE-D	2DL3F20KE	\$16,580	\$17,080	\$2,120	D / Medium	E	5/8	1-3/8	650
HDSD-0600LR#BC-D	2DB3F25KE	\$15,160	\$15,590	\$2,120	B / Medium	C	5/8	1-3/8	650
HDSD-0600LR#DE-D	2DB3F25KE	\$17,130	\$17,620	\$2,120	D / Medium	E	5/8	1-3/8	650
HDSD-0601LR#BC-D	3DA3F28KE	\$15,280	\$15,710	\$2,650	B / Medium	C	5/8	1-3/8	650
HDSD-0601LR#DE-D	3DA3F28KE	\$17,240	\$17,740	\$2,650	D / Medium	E	5/8	1-3/8	650
HDSD-0750LR#DE-D	3DB3F33KE	\$17,310	\$17,800	\$2,650	D / Medium	E	5/8	1-3/8	650
HDSD-0750LR#FF-D	3DB3F33KE	\$20,560	\$21,160	\$2,650	F / Large	F	5/8	1-3/8	1,250
HDSD-0900LR#FF-D	3DF3F40KE	\$21,230	\$21,800	\$2,650	F / Large	F	5/8	1-3/8	1,250
HDSD-0900LR#JH-D	3DF3F40KE	\$26,280	\$26,980	\$2,650	J / X-Large	H	5/8	1-3/8	1,575
HDSD-1000LR#FF-D	3DS3F46KE	\$22,490	\$23,000	\$2,650	F / Large	F	5/8	1-3/8	1,250
HDSD-1000LR#JH-D	3DS3F46KE	\$27,540	\$28,180	\$2,650	J / X-Large	H	5/8	1-3/8	1,575
HDSD-1500LR#JH-A	4DHNFF63KE	\$28,970	\$29,580	\$3,840	J / X-Large	H	7/8	1-5/8	1,575
HDSD-2200LR#FF-A	4DJNF76KE	\$24,450	\$24,730	\$3,840	F / Large	F	7/8	2-1/8	1,250
HDSD-2200LR#JH-A	4DJNF76KE	\$29,500	\$29,910	\$3,840	J / X-Large	H	7/8	2-1/8	1,575

- HE H-SERIES OPTIONS PAGE HAS STANDARD FEATURES AND BASIC OPTIONS LIST. USE H-SERIES SOFTWARE FOR ADDITIONAL CUSTOMIZATION.

- ORDERS MUST INCLUDE THE FULL MODEL NUMBER "HDSD-0500MRKBD-D"

HDSD options include sealed liquid drier, pump down switch, time clock, solid mounted compressor, and crating.



# HIGH EFFICIENCY H-SERIES PRODUCT DESCRIPTION - CONDENSING UNITS

Version: September 2023

## HDSD - HIGH EFFICIENCY H-SERIES COPELAND DISCUS CONDENSING UNITS

UNIT MODEL	COMPRESSOR MODEL	LIST PRICE		4 YEAR EXTENDED COMPRESSOR WARRANTY	TECHNICAL SPECIFICATIONS				SHIP WGT (LBS)
		208/3/60 K	460/3/60 M		CONDENSER AND CABINET SIZE	RCVR SIZE	CONNECTIONS (IN)		
Discus - Medium Temperature R-404A									
HDSD-0500MS#BC-D	2DC3R53KE	\$12,870	\$13,310	\$2,120	B / Medium	C	1/2	1-3/8	650
HDSD-0500MS#DE-D	2DC3R53KE	\$14,840	\$15,330	\$2,120	D / Medium	E	1/2	1-3/8	650
HDSD-0501MS#DE-D	2DD3R63KE	\$14,940	\$15,430	\$2,120	D / Medium	E	5/8	1-3/8	650
HDSD-0501MS#FF-D	2DD3R63KE	\$18,150	\$18,770	\$2,120	F / Large	F	5/8	1-3/8	1,250
HDSD-0750MS#FF-D	2DL3R78KE	\$19,000	\$19,610	\$2,120	F / Large	F	5/8	1-3/8	1,250
HDSD-0750MS#JH-D	2DL3R78KE	\$24,060	\$24,790	\$2,120	J / X-Large	H	5/8	1-3/8	1,575
HDSD-0751MS#FF-D	2DA3R89KE	\$18,370	\$18,980	\$2,120	F / Large	F	5/8	1-3/8	1,250
HDSD-0751MS#JH-D	2DA3R89KE	\$23,420	\$24,150	\$2,120	J / X-Large	H	5/8	1-3/8	1,575
HDSD-0752MS#FF-D	3DA3R10ME	\$19,020	\$19,530	\$2,650	F / Large	F	5/8	1-3/8	1,250
HDSD-0752MS#JH-D	3DA3R10ME	\$24,070	\$24,710	\$2,650	J / X-Large	H	5/8	1-3/8	1,575
HDSD-1000MS#FF-D	3DB3R12ME	\$19,980	\$20,500	\$2,650	F / Large	F	7/8	1-3/8	1,250
HDSD-1000MS#JH-D	3DB3R12ME	\$25,030	\$25,670	\$2,650	J / X-Large	H	7/8	1-3/8	1,575
HDSD-1200MS#JH-D	3DF3R15ME	\$24,170	\$24,800	\$2,650	J / X-Large	H	7/8	1-3/8	1,575
HDSD-1500MS#JH-D	3DS3R17ME	\$24,270	\$24,830	\$2,650	J / X-Large	H	7/8	1-5/8	1,575

UNIT MODEL	COMPRESSOR MODEL	LIST PRICE		4 YEAR EXTENDED COMPRESSOR WARRANTY	TECHNICAL SPECIFICATIONS				SHIP WGT (LBS)
		208/3/60 K	460/3/60 M		CONDENSER AND CABINET SIZE	RCVR SIZE	CONNECTIONS (IN)		
Discus - Low Temperature R-404A									
HDSD-0300LS#BC-D	2DF3F16KE	\$12,770	\$13,200	\$2,120	B / Medium	C	1/2	1-3/8	650
HDSD-0300LS#DE-D	2DF3F16KE	\$14,740	\$15,230	\$2,120	D / Medium	E	1/2	1-3/8	650
HDSD-0400LS#BC-D	2DL3F20KE	\$13,160	\$13,590	\$2,120	B / Medium	C	5/8	1-3/8	650
HDSD-0400LS#DE-D	2DL3F20KE	\$15,120	\$15,620	\$2,120	D / Medium	E	5/8	1-3/8	650
HDSD-0600LS#BC-D	2DB3F25KE	\$13,700	\$14,130	\$2,120	B / Medium	C	5/8	1-3/8	650
HDSD-0600LS#DE-D	2DB3F25KE	\$15,670	\$16,160	\$2,120	D / Medium	E	5/8	1-3/8	650
HDSD-0601LS#BC-D	3DA3F28KE	\$13,810	\$14,250	\$2,650	B / Medium	C	5/8	1-3/8	650
HDSD-0601LS#DE-D	3DA3F28KE	\$15,780	\$16,280	\$2,650	D / Medium	E	5/8	1-3/8	650
HDSD-0750LS#DE-D	3DB3F33KE	\$15,880	\$16,360	\$2,650	D / Medium	E	5/8	1-3/8	650
HDSD-0750LS#FF-D	3DB3F33KE	\$19,090	\$19,700	\$2,650	F / Large	F	5/8	1-3/8	1,250
HDSD-0900LS#FF-D	3DF3F40KE	\$19,770	\$20,340	\$2,650	F / Large	F	5/8	1-3/8	1,250
HDSD-0900LS#JH-D	3DF3F40KE	\$24,820	\$25,520	\$2,650	J / X-Large	H	5/8	1-3/8	1,575
HDSD-1000LS#FF-D	3DS3F46KE	\$21,030	\$21,540	\$2,650	F / Large	F	5/8	1-3/8	1,250
HDSD-1000LS#JH-D	3DS3F46KE	\$26,080	\$26,720	\$2,650	J / X-Large	H	5/8	1-3/8	1,575
HDSD-1500LS#JH-D	4DHNF63KE	\$27,610	\$28,220	\$3,840	J / X-Large	H	7/8	1-5/8	1,575
HDSD-2200LS#FF-A	4DJNF76KE	\$23,040	\$23,320	\$3,840	F / Large	F	7/8	2-1/8	1,250
HDSD-2200LS#JH-D	4DJNF76KE	\$28,090	\$28,500	\$3,840	J / X-Large	H	7/8	2-1/8	1,575

- HE H-SERIES OPTIONS PAGE HAS STANDARD FEATURES AND BASIC OPTIONS LIST. USE H-SERIES SOFTWARE FOR ADDITIONAL CUSTOMIZATION.  
- ORDERS MUST INCLUDE THE FULL MODEL NUMBER "HDSD-0500MSKBD-D"

HDSD options include sealed liquid drier, pump down switch, time clock, solid mounted compressor, and crating.





# HIGH EFFICIENCY H-SERIES PRODUCT DESCRIPTION - CONDENSING UNITS

Version: **September 2023**

## HDSD - HIGH EFFICIENCY H-SERIES COPELAND DISCUS CONDENSING UNITS

UNIT MODEL	COMPRESSOR MODEL	LIST PRICE		4 YEAR EXTENDED COMPRESSOR WARRANTY	TECHNICAL SPECIFICATIONS				SHIP WGT (LBS)
		208/3/60 K	460/3/60 M		CONDENSER AND CABINET SIZE	RCVR SIZE	CONNECTIONS (IN)		
Discus - Medium Temperature R-448A									
HDSD-0500MT#BC-D	2DC3R53KE	\$12,870	\$13,310	\$2,120	B / Medium	C	1/2	1-3/8	650
HDSD-0500MT#DE-D	2DC3R53KE	\$14,840	\$15,330	\$2,120	D / Medium	E	1/2	1-3/8	650
HDSD-0501MT#DE-D	2DD3R63KE	\$14,940	\$15,430	\$2,120	D / Medium	E	5/8	1-3/8	650
HDSD-0501MT#FF-D	2DD3R63KE	\$18,150	\$18,770	\$2,120	F / Large	F	5/8	1-3/8	1,250
HDSD-0750MT#FF-D	2DL3R78KE	\$19,000	\$19,610	\$2,120	F / Large	F	5/8	1-3/8	1,250
HDSD-0750MT#JH-D	2DL3R78KE	\$24,060	\$24,790	\$2,120	J / X-Large	H	5/8	1-3/8	1,575
HDSD-0751MT#FF-D	2DA3R89KE	\$18,370	\$18,980	\$2,120	F / Large	F	5/8	1-3/8	1,250
HDSD-0751MT#JH-D	2DA3R89KE	\$23,420	\$24,150	\$2,120	J / X-Large	H	5/8	1-3/8	1,575
HDSD-0752MT#FF-D	3DA3R10ME	\$19,020	\$19,530	\$2,650	F / Large	F	5/8	1-3/8	1,250
HDSD-0752MT#JH-D	3DA3R10ME	\$24,070	\$24,710	\$2,650	J / X-Large	H	5/8	1-3/8	1,575
HDSD-1000MT#FF-D	3DB3R12ME	\$19,980	\$20,500	\$2,650	F / Large	F	7/8	1-3/8	1,250
HDSD-1000MT#JH-D	3DB3R12ME	\$25,030	\$25,670	\$2,650	J / X-Large	H	7/8	1-3/8	1,575
HDSD-1200MT#JH-D	3DF3R15ME	\$24,170	\$24,800	\$2,650	J / X-Large	H	7/8	1-3/8	1,575
HDSD-1500MT#JH-D	3DS3R17ME	\$24,270	\$24,830	\$2,650	J / X-Large	H	7/8	1-5/8	1,575

UNIT MODEL	COMPRESSOR MODEL	LIST PRICE		4 YEAR EXTENDED COMPRESSOR WARRANTY	TECHNICAL SPECIFICATIONS				SHIP WGT (LBS)
		208/3/60 K	460/3/60 M		CONDENSER AND CABINET SIZE	RCVR SIZE	CONNECTIONS (IN)		
Discus - Low Temperature - INCLUDES DEMAND COOLING REQUIRED FOR R-448A									
HDSD-0300LT#BC-D	2DF3F16KE	\$14,230	\$14,660	\$2,120	B / Medium	C	1/2	1-3/8	650
HDSD-0300LT#DE-D	2DF3F16KE	\$16,200	\$16,690	\$2,120	D / Medium	E	1/2	1-3/8	650
HDSD-0400LT#BC-D	2DL3F20KE	\$14,620	\$15,050	\$2,120	B / Medium	C	5/8	1-3/8	650
HDSD-0400LT#DE-D	2DL3F20KE	\$16,580	\$17,080	\$2,120	D / Medium	E	5/8	1-3/8	650
HDSD-0600LT#BC-D	2DB3F25KE	\$15,160	\$15,590	\$2,120	B / Medium	C	5/8	1-3/8	650
HDSD-0600LT#DE-D	2DB3F25KE	\$17,130	\$17,620	\$2,120	D / Medium	E	5/8	1-3/8	650
HDSD-0601LT#BC-D	3DA3F28KE	\$15,280	\$15,710	\$2,650	B / Medium	C	5/8	1-3/8	650
HDSD-0601LT#DE-D	3DA3F28KE	\$17,240	\$17,740	\$2,650	D / Medium	E	5/8	1-3/8	650
HDSD-0750LT#DE-D	3DB3F33KE	\$17,310	\$17,800	\$2,650	D / Medium	E	5/8	1-3/8	650
HDSD-0750LT#FF-D	3DB3F33KE	\$20,560	\$21,160	\$2,650	F / Large	F	5/8	1-3/8	1,250
HDSD-0900LT#FF-D	3DF3F40KE	\$21,230	\$21,800	\$2,650	F / Large	F	5/8	1-3/8	1,250
HDSD-0900LT#JH-D	3DF3F40KE	\$26,280	\$26,980	\$2,650	J / X-Large	H	5/8	1-3/8	1,575
HDSD-1000LT#FF-D	3DS3F46KE	\$22,490	\$23,000	\$2,650	F / Large	F	5/8	1-3/8	1,250
HDSD-1000LT#JH-D	3DS3F46KE	\$27,540	\$28,180	\$2,650	J / X-Large	H	5/8	1-3/8	1,575
HDSD-1500LT#JH-A	4DHN63KE	\$28,970	\$29,580	\$3,840	J / X-Large	H	7/8	1-5/8	1,575
HDSD-2200LT#FF-A	4DJNF76KE	\$24,450	\$24,730	\$3,840	F / Large	F	7/8	2-1/8	1,250
HDSD-2200LT#JH-A	4DJNF76KE	\$29,500	\$29,910	\$3,840	J / X-Large	H	7/8	2-1/8	1,575

- HE H-SERIES OPTIONS PAGE HAS STANDARD FEATURES AND BASIC OPTIONS LIST. USE H-SERIES SOFTWARE FOR ADDITIONAL CUSTOMIZATION.  
- ORDERS MUST INCLUDE THE FULL MODEL NUMBER "HDSD-0500MTKBD-D"

HDSD options include sealed liquid drier, pump down switch, time clock, solid mounted compressor, and crating.





# HIGH EFFICIENCY H-SERIES PRODUCT DESCRIPTION - CONDENSING UNITS

Version: September 2023

## HDSB - HIGH EFFICIENCY H-SERIES BITZER ECOLINE CONDENSING UNITS

UNIT MODEL	COMPRESSOR MODEL	LIST PRICE		4 YEAR EXTENDED COMPRESSOR WARRANTY	TECHNICAL SPECIFICATIONS				SHIP WGT (LBS)
		208/3/60 K	460/3/60 M		CONDENSER AND CABINET SIZE	RCVR SIZE	CONNECTIONS (IN)		
Bitzer Ecoline - Medium Temperature R-407F									
HDSB-0050MF#BC-D	2KES-05	\$10,130	\$10,560	\$970	B / Medium	C	1/2	5/8	650
HDSB-0070MF#BC-D	2JES-07	\$10,210	\$10,650	\$970	B / Medium	C	1/2	5/8	650
HDSB-0070MF#DE-D	2JES-07	\$12,180	\$12,680	\$970	D / Medium	E	1/2	5/8	650
HDSB-0100MF#BC-D	2HES-1	\$10,390	\$10,820	\$970	B / Medium	C	1/2	5/8	650
HDSB-0100MF#DE-D	2HES-1	\$12,360	\$12,850	\$970	D / Medium	E	1/2	5/8	650
HDSB-0150MF#BC-D	2FES-2	\$10,420	\$10,860	\$970	B / Medium	C	5/8	5/8	650
HDSB-0150MF#DE-D	2FES-2	\$12,390	\$12,890	\$970	D / Medium	E	5/8	5/8	650
HDSB-0200MF#BC-D	2EES-2	\$11,300	\$11,730	\$1,340	B / Medium	C	5/8	7/8	650
HDSB-0200MF#DE-D	2EES-2	\$13,260	\$13,760	\$1,340	D / Medium	E	5/8	7/8	650
HDSB-0220MF#DE-D	2DES-2	\$13,500	\$14,000	\$1,340	D / Medium	E	5/8	7/8	650
HDSB-0220MF#FF-D	2DES-2	\$16,720	\$17,340	\$1,340	F / Large	F	5/8	7/8	1,250
HDSB-0300MF#DE-D	2CES-3	\$13,650	\$14,140	\$1,340	D / Medium	E	5/8	7/8	650
HDSB-0300MF#FF-D	2CES-3	\$16,860	\$17,480	\$1,340	F / Large	F	5/8	7/8	1,250
HDSB-0400MF#FF-D	4FES-3	\$17,670	\$18,290	\$1,880	F / Large	F	5/8	7/8	1,250
HDSB-0400MF#JH-D	4FES-3	\$22,720	\$23,460	\$1,880	J / X-Large	H	5/8	7/8	1,575
HDSB-0500MF#FF-D	4EES-4	\$17,870	\$18,490	\$1,880	F / Large	F	5/8	1-1/8	1,250
HDSB-0500MF#JH-D	4EES-4	\$22,920	\$23,670	\$1,880	J / X-Large	H	5/8	1-1/8	1,575
HDSB-0600MF#FF-D	4DES-5	\$18,360	\$18,980	\$1,880	F / Large	F	5/8	1-1/8	1,250
HDSB-0600MF#JH-D	4DES-5	\$23,410	\$24,160	\$1,880	J / X-Large	H	5/8	1-1/8	1,575
HDSB-0650MF#FF-D	4CES-6	\$19,680	\$20,290	\$1,880	F / Large	F	5/8	1-1/8	1,250
HDSB-0650MF#JH-D	4CES-6	\$24,730	\$25,470	\$1,880	J / X-Large	H	5/8	1-1/8	1,575
HDSB-0700MF#FF-D	4VES-7	\$20,100	\$20,710	\$2,550	F / Large	F	7/8	1-1/8	1,250
HDSB-0700MF#JH-D	4VES-7	\$25,150	\$25,890	\$2,550	J / X-Large	H	7/8	1-1/8	1,575
HDSB-0900MF#JH-D	4TES-9	\$25,460	\$26,190	\$2,550	J / X-Large	H	7/8	1-3/8	1,575
HDSB-1000MF#JH-D	4PES-12	\$25,690	\$26,390	\$2,550	J / X-Large	H	7/8	1-3/8	1,575
HDSB-1200MF#JH-D	4NES-14	\$26,400	\$27,040	\$2,550	J / X-Large	H	7/8	1-3/8	1,575

UNIT MODEL	COMPRESSOR MODEL	LIST PRICE		4 YEAR EXTENDED COMPRESSOR WARRANTY	TECHNICAL SPECIFICATIONS				SHIP WGT (LBS)
		208/3/60 K	460/3/60 M		CONDENSER AND CABINET SIZE	RCVR SIZE	CONNECTIONS (IN)		
Bitzer Ecoline - Low Temperature R-407F									
HDSB-0050LF#AB-D	2KES-05	\$8,770	\$9,210	\$970	A / Small	B	1/2	5/8	400
HDSB-0050LF#BC-D	2KES-05	\$10,130	\$10,560	\$970	B / Medium	C	1/2	5/8	650
HDSB-0070LF#AB-D	2JES-07	\$8,860	\$9,290	\$970	A / Small	B	1/2	5/8	400
HDSB-0070LF#BC-D	2JES-07	\$10,210	\$10,650	\$970	B / Medium	C	1/2	5/8	650
HDSB-0100LF#AB-D	2HES-1	\$9,030	\$9,470	\$970	A / Small	B	1/2	5/8	400
HDSB-0100LF#BC-D	2HES-1	\$10,390	\$10,820	\$970	B / Medium	C	1/2	5/8	650
HDSB-0150LF#AB-D	2FES-2	\$9,060	\$9,500	\$970	A / Small	B	1/2	5/8	400
HDSB-0150LF#BC-D	2FES-2	\$10,420	\$10,860	\$970	B / Medium	C	1/2	5/8	650
HDSB-0200LF#AB-D	2EES-2	\$9,940	\$10,370	\$1,340	A / Small	B	1/2	7/8	400
HDSB-0200LF#BC-D	2EES-2	\$11,300	\$11,730	\$1,340	B / Medium	C	1/2	7/8	650
HDSB-0220LF#AB-D	2DES-2	\$10,180	\$10,610	\$1,340	A / Small	B	1/2	7/8	400
HDSB-0220LF#BC-D	2DES-2	\$11,540	\$11,970	\$1,340	B / Medium	C	1/2	7/8	650
HDSB-0300LF#AB-D	2CES-3	\$10,320	\$10,760	\$1,340	A / Small	B	5/8	7/8	400
HDSB-0300LF#BC-D	2CES-3	\$11,680	\$12,120	\$1,340	B / Medium	C	5/8	7/8	650
HDSB-0400LF#BC-D	4FES-3	\$13,000	\$13,430	\$1,880	B / Medium	C	5/8	7/8	650
HDSB-0400LF#DE-D	4FES-3	\$14,960	\$15,460	\$1,880	D / Medium	E	5/8	7/8	650
HDSB-0500LF#BC-D	4EES-4	\$13,200	\$13,630	\$1,880	B / Medium	C	5/8	1-1/8	650
HDSB-0500LF#DE-D	4EES-4	\$15,170	\$15,660	\$1,880	D / Medium	E	5/8	1-1/8	650
HDSB-0600LF#BC-D	4DES-5	\$13,680	\$14,120	\$1,880	B / Medium	C	5/8	1-1/8	650
HDSB-0600LF#DE-D	4DES-5	\$15,650	\$16,150	\$1,880	D / Medium	E	5/8	1-1/8	650
HDSB-0650LF#BC-D	4CES-6	\$15,000	\$15,430	\$1,880	B / Medium	C	5/8	1-1/8	650
HDSB-0650LF#DE-D	4CES-6	\$16,970	\$17,460	\$1,880	D / Medium	E	5/8	1-1/8	650
HDSB-0700LF#BC-D	4VES-7	\$15,370	\$15,800	\$2,550	B / Medium	C	5/8	1-1/8	650
HDSB-0700LF#DE-D	4VES-7	\$17,340	\$17,830	\$2,550	D / Medium	E	5/8	1-1/8	650
HDSB-0900LF#BC-D	4TES-9	\$15,630	\$16,050	\$2,550	B / Medium	C	5/8	1-3/8	650
HDSB-0900LF#DE-D	4TES-9	\$17,600	\$18,080	\$2,550	D / Medium	E	5/8	1-3/8	650
HDSB-1000LF#BC-D	4PES-12	\$15,860	\$16,250	\$2,550	B / Medium	C	5/8	1-3/8	650
HDSB-1000LF#DE-D	4PES-12	\$17,830	\$18,280	\$2,550	D / Medium	E	5/8	1-3/8	650
HDSB-1200LF#FF-D	4NES-14	\$21,840	\$22,340	\$2,550	F / Large	F	5/8	1-3/8	1,250
HDSB-1200LF#JH-D	4NES-14	\$26,890	\$27,520	\$2,550	J / X-Large	H	5/8	1-3/8	1,575
HDSB-1400LF#FF-D	4JE-15	\$22,870	\$23,310	\$3,690	F / Large	F	7/8	1-5/8	1,250
HDSB-1400LF#JH-D	4JE-15	\$27,920	\$28,490	\$3,690	J / X-Large	H	7/8	1-5/8	1,575
HDSB-1600LF#FF-D	4HE-18	\$23,450	\$23,730	\$3,690	F / Large	F	7/8	1-5/8	1,250
HDSB-1600LF#JH-D	4HE-18	\$28,500	\$28,910	\$3,690	J / X-Large	H	7/8	1-5/8	1,575

- HE H-SERIES OPTIONS PAGE HAS STANDARD FEATURES AND BASIC OPTIONS LIST. USE H-SERIES SOFTWARE FOR ADDITIONAL CUSTOMIZATION.  
 - ORDERS MUST INCLUDE THE FULL MODEL NUMBER INCLUDING CONDENSER AND RECEIVER "HDSB-0200MQKAB"  
 HDSB options include sealed liquid drier, pump down switch, time clock, solid mounted compressor, and crating.

(1) Maximum +32°F suction operation for B motor 2 compressors shown. Use E model motor 1 compressor where operation may exceed +20°F or for more efficient medium temperature operation. Add \$670 list to B motor pricing for E motors, confirm DOE from tech bulletin and update model number.



# HIGH EFFICIENCY H-SERIES PRODUCT DESCRIPTION - CONDENSING UNITS

Version: September 2023

## HDSB - HIGH EFFICIENCY H-SERIES BITZER ECOLINE CONDENSING UNITS

UNIT MODEL	COMPRESSOR MODEL	LIST PRICE		4 YEAR EXTENDED COMPRESSOR WARRANTY	TECHNICAL SPECIFICATIONS				SHIP WGT (LBS)
		208/3/60 K	460/3/60 M		CONDENSER AND CABINET SIZE	RCVR SIZE	CONNECTIONS (IN)		
							LIQUID	SUCTION	
<b>Bitzer Ecoline - Medium Temperature R-507A</b>									
HDSB-0050MP#BC-D	2KES-05	\$10,130	\$10,560	\$970	B / Medium	C	1/2	5/8	650
HDSB-0070MP#BC-D	2JES-07	\$10,210	\$10,650	\$970	B / Medium	C	1/2	5/8	650
HDSB-0070MP#DE-D	2JES-07	\$12,180	\$12,680	\$970	D / Medium	E	1/2	5/8	650
HDSB-0100MP#BC-D	2HES-1	\$10,390	\$10,820	\$970	B / Medium	C	1/2	5/8	650
HDSB-0100MP#DE-D	2HES-1	\$12,360	\$12,850	\$970	D / Medium	E	1/2	5/8	650
HDSB-0150MP#BC-D	2FES-2	\$10,420	\$10,860	\$970	B / Medium	C	5/8	5/8	650
HDSB-0150MP#DE-D	2FES-2	\$12,390	\$12,890	\$970	D / Medium	E	5/8	5/8	650
HDSB-0200MP#BC-D	2EES-2	\$11,300	\$11,730	\$1,340	B / Medium	C	5/8	7/8	650
HDSB-0200MP#DE-D	2EES-2	\$13,260	\$13,760	\$1,340	D / Medium	E	5/8	7/8	650
HDSB-0220MP#DE-D	2DES-2	\$13,500	\$14,000	\$1,340	D / Medium	E	5/8	7/8	650
HDSB-0220MP#FF-D	2DES-2	\$16,720	\$17,340	\$1,340	F / Large	F	5/8	7/8	1,250
HDSB-0300MP#DE-D	2CES-3	\$13,650	\$14,140	\$1,340	D / Medium	E	5/8	7/8	650
HDSB-0300MP#FF-D	2CES-3	\$16,890	\$17,510	\$1,340	F / Large	F	5/8	7/8	1,250
HDSB-0400MP#FF-D	4FES-3	\$17,670	\$18,290	\$1,880	F / Large	F	5/8	7/8	1,250
HDSB-0400MP#JH-D	4FES-3	\$22,720	\$23,460	\$1,880	J / X-Large	H	5/8	7/8	1,575
HDSB-0500MP#FF-D	4EES-4	\$17,870	\$18,490	\$1,880	F / Large	F	5/8	1-1/8	1,250
HDSB-0500MP#JH-D	4EES-4	\$22,920	\$23,670	\$1,880	J / X-Large	H	5/8	1-1/8	1,575
HDSB-0600MP#FF-D	4DES-5	\$18,360	\$18,980	\$1,880	F / Large	F	5/8	1-1/8	1,250
HDSB-0600MP#JH-D	4DES-5	\$23,410	\$24,160	\$1,880	J / X-Large	H	5/8	1-1/8	1,575
HDSB-0650MP#FF-D	4CES-6	\$19,730	\$20,340	\$1,880	F / Large	F	5/8	1-1/8	1,250
HDSB-0650MP#JH-D	4CES-6	\$24,780	\$25,520	\$1,880	J / X-Large	H	5/8	1-1/8	1,575
HDSB-0700MP#FF-D	4VES-7	\$20,150	\$20,760	\$2,550	F / Large	F	7/8	1-1/8	1,250
HDSB-0700MP#JH-D	4VES-7	\$25,200	\$25,940	\$2,550	J / X-Large	H	7/8	1-1/8	1,575
HDSB-0900MP#JH-D	4TES-9	\$25,460	\$26,190	\$2,550	J / X-Large	H	7/8	1-3/8	1,575
HDSB-1000MP#JH-D	4PES-12	\$25,690	\$26,390	\$2,550	J / X-Large	H	7/8	1-3/8	1,575
HDSB-1200MP#JH-D	4NES-14	\$26,400	\$27,040	\$2,550	J / X-Large	H	7/8	1-3/8	1,575

UNIT MODEL	COMPRESSOR MODEL	LIST PRICE		4 YEAR EXTENDED COMPRESSOR WARRANTY	TECHNICAL SPECIFICATIONS				SHIP WGT (LBS)
		208/3/60 K	460/3/60 M		CONDENSER AND CABINET SIZE	RCVR SIZE	CONNECTIONS (IN)		
							LIQUID	SUCTION	
<b>Bitzer Ecoline - Low Temperature R-507A</b>									
HDSB-0050LP#AB-D	2KES-05	\$8,770	\$9,210	\$970	A / Small	B	1/2	5/8	400
HDSB-0050LP#BC-D	2KES-05	\$10,130	\$10,560	\$970	B / Medium	C	1/2	5/8	650
HDSB-0070LP#AB-D	2JES-07	\$8,860	\$9,290	\$970	A / Small	B	1/2	5/8	400
HDSB-0070LP#BC-D	2JES-07	\$10,210	\$10,650	\$970	B / Medium	C	1/2	5/8	650
HDSB-0100LP#AB-D	2HES-1	\$9,030	\$9,470	\$970	A / Small	B	1/2	5/8	400
HDSB-0100LP#BC-D	2HES-1	\$10,390	\$10,820	\$970	B / Medium	C	1/2	5/8	650
HDSB-0150LP#AB-D	2FES-2	\$9,060	\$9,500	\$970	A / Small	B	1/2	5/8	400
HDSB-0150LP#BC-D	2FES-2	\$10,420	\$10,860	\$970	B / Medium	C	1/2	5/8	650
HDSB-0200LP#AB-D	2EES-2	\$9,940	\$10,370	\$1,340	A / Small	B	1/2	7/8	400
HDSB-0200LP#BC-D	2EES-2	\$11,300	\$11,730	\$1,340	B / Medium	C	1/2	7/8	650
HDSB-0220LP#AB-D	2DES-2	\$10,180	\$10,610	\$1,340	A / Small	B	1/2	7/8	400
HDSB-0220LP#BC-D	2DES-2	\$11,540	\$11,970	\$1,340	B / Medium	C	1/2	7/8	650
HDSB-0300LP#AB-D	2CES-3	\$10,320	\$10,760	\$1,340	A / Small	B	5/8	7/8	400
HDSB-0300LP#BC-D	2CES-3	\$11,680	\$12,120	\$1,340	B / Medium	C	5/8	7/8	650
HDSB-0400LP#BC-D	4FES-3	\$12,460	\$12,890	\$1,880	B / Medium	C	5/8	7/8	650
HDSB-0400LP#DE-D	4FES-3	\$14,430	\$14,920	\$1,880	D / Medium	E	5/8	7/8	650
HDSB-0500LP#BC-D	4EES-4	\$12,660	\$13,100	\$1,880	B / Medium	C	5/8	1-1/8	650
HDSB-0500LP#DE-D	4EES-4	\$14,630	\$15,120	\$1,880	D / Medium	E	5/8	1-1/8	650
HDSB-0600LP#BC-D	4DES-5	\$13,150	\$13,580	\$1,880	B / Medium	C	5/8	1-1/8	650
HDSB-0600LP#DE-D	4DES-5	\$15,120	\$15,610	\$1,880	D / Medium	E	5/8	1-1/8	650
HDSB-0650LP#BC-D	4CES-6	\$14,470	\$14,900	\$1,880	B / Medium	C	5/8	1-1/8	650
HDSB-0650LP#DE-D	4CES-6	\$16,440	\$16,920	\$1,880	D / Medium	E	5/8	1-1/8	650
HDSB-0700LP#BC-D	4VES-7	\$14,890	\$15,320	\$2,550	B / Medium	C	5/8	1-1/8	650
HDSB-0700LP#DE-D	4VES-7	\$16,860	\$17,350	\$2,550	D / Medium	E	5/8	1-1/8	650
HDSB-0900LP#BC-D	4TES-9	\$15,140	\$15,570	\$2,550	B / Medium	C	5/8	1-3/8	650
HDSB-0900LP#DE-D	4TES-9	\$17,140	\$17,620	\$2,550	D / Medium	E	5/8	1-3/8	650
HDSB-1000LP#BC-D	4PES-12	\$15,380	\$15,770	\$2,550	B / Medium	C	5/8	1-3/8	650
HDSB-1000LP#DE-D	4PES-12	\$17,380	\$17,820	\$2,550	D / Medium	E	5/8	1-3/8	650
HDSB-1200LP#FF-D	4NES-14	\$21,300	\$21,810	\$2,550	F / Large	F	5/8	1-3/8	1,250
HDSB-1200LP#JH-D	4NES-14	\$26,350	\$26,990	\$2,550	J / X-Large	H	5/8	1-3/8	1,575
HDSB-1400LP#FF-D	4JE-15	\$22,340	\$22,780	\$3,690	F / Large	F	7/8	1-5/8	1,250
HDSB-1400LP#JH-D	4JE-15	\$27,440	\$28,010	\$3,690	J / X-Large	H	7/8	1-5/8	1,575
HDSB-1600LP#FF-D	4HE-18	\$22,950	\$23,240	\$3,690	F / Large	F	7/8	1-5/8	1,250
HDSB-1600LP#JH-D	4HE-18	\$28,000	\$28,410	\$3,690	J / X-Large	H	7/8	1-5/8	1,575

- HE H-SERIES OPTIONS PAGE HAS STANDARD FEATURES AND BASIC OPTIONS LIST. USE H-SERIES SOFTWARE FOR ADDITIONAL CUSTOMIZATION.  
 - ORDERS MUST INCLUDE THE FULL MODEL NUMBER INCLUDING CONDENSER AND RECEIVER "HDSB-0200MPKAB"  
 HDSB options include sealed liquid drier, pump down switch, time clock, solid mounted compressor, and crating.

(1) Maximum +32°F suction operation for B motor 2 compressors shown. Use E model motor 1 compressor where operation may exceed +20°F or for more efficient medium temperature operation. Add \$670 list to B motor pricing for E motors, confirm DOE from tech bulletin and update model number.



# HIGH EFFICIENCY H-SERIES PRODUCT DESCRIPTION - CONDENSING UNITS

Version: **September 2023**

## HDSB - HIGH EFFICIENCY H-SERIES BITZER ECOLINE CONDENSING UNITS

UNIT MODEL	COMPRESSOR MODEL	LIST PRICE		4 YEAR EXTENDED COMPRESSOR WARRANTY	TECHNICAL SPECIFICATIONS				SHIP WGT (LBS)
		208/3/60 K	460/3/60 M		CONDENSER AND CABINET SIZE	RCVR SIZE	CONNECTIONS (IN)		
							LIQUID	SUCTION	
<b>Bitzer Ecoline - Medium Temperature R-407A</b>									
HDSB-0050MQ#BC-D	2KES-05	\$10,130	\$10,560	\$970	B / Medium	C	1/2	5/8	650
HDSB-0070MQ#BC-D	2JES-07	\$10,210	\$10,650	\$970	B / Medium	C	1/2	5/8	650
HDSB-0070MQ#DE-D	2JES-07	\$12,180	\$12,680	\$970	D / Medium	E	1/2	5/8	650
HDSB-0100MQ#BC-D	2HES-1	\$10,390	\$10,820	\$970	B / Medium	C	1/2	5/8	650
HDSB-0100MQ#DE-D	2HES-1	\$12,360	\$12,850	\$970	D / Medium	E	1/2	5/8	650
HDSB-0150MQ#BC-D	2FES-2	\$10,420	\$10,860	\$970	B / Medium	C	5/8	5/8	650
HDSB-0150MQ#DE-D	2FES-2	\$12,390	\$12,890	\$970	D / Medium	E	5/8	5/8	650
HDSB-0200MQ#BC-D	2EES-2	\$11,300	\$11,730	\$1,340	B / Medium	C	5/8	7/8	650
HDSB-0200MQ#DE-D	2EES-2	\$13,260	\$13,760	\$1,340	D / Medium	E	5/8	7/8	650
HDSB-0220MQ#DE-D	2DES-2	\$13,500	\$14,000	\$1,340	D / Medium	E	5/8	7/8	650
HDSB-0220MQ#FF-D	2DES-2	\$16,720	\$17,340	\$1,340	F / Large	F	5/8	7/8	1,250
HDSB-0300MQ#DE-D	2CES-3	\$13,650	\$14,140	\$1,340	D / Medium	E	5/8	7/8	650
HDSB-0300MQ#FF-D	2CES-3	\$16,890	\$17,510	\$1,340	F / Large	F	5/8	7/8	1,250
HDSB-0400MQ#FF-D	4FES-3	\$17,670	\$18,290	\$1,880	F / Large	F	5/8	7/8	1,250
HDSB-0400MQ#JH-D	4FES-3	\$22,720	\$23,460	\$1,880	J / X-Large	H	5/8	7/8	1,575
HDSB-0500MQ#FF-D	4EES-4	\$17,870	\$18,490	\$1,880	F / Large	F	5/8	1-1/8	1,250
HDSB-0500MQ#JH-D	4EES-4	\$22,920	\$23,670	\$1,880	J / X-Large	H	5/8	1-1/8	1,575
HDSB-0600MQ#FF-D	4DES-5	\$18,360	\$18,980	\$1,880	F / Large	F	5/8	1-1/8	1,250
HDSB-0600MQ#JH-D	4DES-5	\$23,410	\$24,160	\$1,880	J / X-Large	H	5/8	1-1/8	1,575
HDSB-0650MQ#FF-D	4CES-6	\$19,730	\$20,340	\$1,880	F / Large	F	5/8	1-1/8	1,250
HDSB-0650MQ#JH-D	4CES-6	\$24,780	\$25,520	\$1,880	J / X-Large	H	5/8	1-1/8	1,575
HDSB-0700MQ#FF-D	4VES-7	\$20,150	\$20,760	\$2,550	F / Large	F	7/8	1-1/8	1,250
HDSB-0700MQ#JH-D	4VES-7	\$25,200	\$25,940	\$2,550	J / X-Large	H	7/8	1-1/8	1,575
HDSB-0900MQ#JH-D	4TES-9	\$25,460	\$26,190	\$2,550	J / X-Large	H	7/8	1-3/8	1,575
HDSB-1000MQ#JH-D	4PES-12	\$25,690	\$26,390	\$2,550	J / X-Large	H	7/8	1-3/8	1,575
HDSB-1200MQ#JH-D	4NES-14	\$26,400	\$27,040	\$2,550	J / X-Large	H	7/8	1-3/8	1,575

UNIT MODEL	COMPRESSOR MODEL	LIST PRICE		4 YEAR EXTENDED COMPRESSOR WARRANTY	TECHNICAL SPECIFICATIONS				SHIP WGT (LBS)
		208/3/60 K	460/3/60 M		CONDENSER AND CABINET SIZE	RCVR SIZE	CONNECTIONS (IN)		
							LIQUID	SUCTION	
<b>Bitzer Ecoline - Low Temperature R-407A</b>									
HDSB-0050LQ#AB-D	2KES-05	\$8,770	\$9,210	\$970	A / Small	B	1/2	5/8	400
HDSB-0050LQ#BC-D	2KES-05	\$10,130	\$10,560	\$970	B / Medium	C	1/2	5/8	650
HDSB-0070LQ#AB-D	2JES-07	\$8,860	\$9,290	\$970	A / Small	B	1/2	5/8	400
HDSB-0070LQ#BC-D	2JES-07	\$10,210	\$10,650	\$970	B / Medium	C	1/2	5/8	650
HDSB-0100LQ#AB-D	2HES-1	\$9,030	\$9,470	\$970	A / Small	B	1/2	5/8	400
HDSB-0100LQ#BC-D	2HES-1	\$10,390	\$10,820	\$970	B / Medium	C	1/2	5/8	650
HDSB-0150LQ#AB-D	2FES-2	\$9,060	\$9,500	\$970	A / Small	B	1/2	5/8	400
HDSB-0150LQ#BC-D	2FES-2	\$10,420	\$10,860	\$970	B / Medium	C	1/2	5/8	650
HDSB-0200LQ#AB-D	2EES-2	\$9,940	\$10,370	\$1,340	A / Small	B	1/2	7/8	400
HDSB-0200LQ#BC-D	2EES-2	\$11,300	\$11,730	\$1,340	B / Medium	C	1/2	7/8	650
HDSB-0220LQ#AB-D	2DES-2	\$10,180	\$10,610	\$1,340	A / Small	B	1/2	7/8	400
HDSB-0220LQ#BC-D	2DES-2	\$11,540	\$11,970	\$1,340	B / Medium	C	1/2	7/8	650
HDSB-0300LQ#AB-D	2CES-3	\$10,320	\$10,760	\$1,340	A / Small	B	5/8	7/8	400
HDSB-0300LQ#BC-D	2CES-3	\$11,680	\$12,120	\$1,340	B / Medium	C	5/8	7/8	650
HDSB-0400LQ#BC-D	4FES-3	\$13,000	\$13,430	\$1,880	B / Medium	C	5/8	7/8	650
HDSB-0400LQ#DE-D	4FES-3	\$14,960	\$15,460	\$1,880	D / Medium	E	5/8	7/8	650
HDSB-0500LQ#BC-D	4EES-4	\$13,200	\$13,630	\$1,880	B / Medium	C	5/8	1-1/8	650
HDSB-0500LQ#DE-D	4EES-4	\$15,170	\$15,660	\$1,880	D / Medium	E	5/8	1-1/8	650
HDSB-0600LQ#BC-D	4DES-5	\$13,680	\$14,120	\$1,880	B / Medium	C	5/8	1-1/8	650
HDSB-0600LQ#DE-D	4DES-5	\$15,650	\$16,150	\$1,880	D / Medium	E	5/8	1-1/8	650
HDSB-0650LQ#BC-D	4CES-6	\$15,000	\$15,430	\$1,880	B / Medium	C	5/8	1-1/8	650
HDSB-0650LQ#DE-D	4CES-6	\$16,970	\$17,460	\$1,880	D / Medium	E	5/8	1-1/8	650
HDSB-0700LQ#BC-D	4VES-7	\$15,370	\$15,800	\$2,550	B / Medium	C	5/8	1-1/8	650
HDSB-0700LQ#DE-D	4VES-7	\$17,340	\$17,830	\$2,550	D / Medium	E	5/8	1-1/8	650
HDSB-0900LF#BC-D	4TES-9	\$15,630	\$16,050	\$2,550	B / Medium	C	5/8	1-3/8	650
HDSB-0900LQ#DE-D	4TES-9	\$17,600	\$18,080	\$2,550	D / Medium	E	5/8	1-3/8	650
HDSB-1000LF#BC-D	4PES-12	\$15,860	\$16,250	\$2,550	B / Medium	C	5/8	1-3/8	650
HDSB-1000LQ#DE-D	4PES-12	\$17,830	\$18,280	\$2,550	D / Medium	E	5/8	1-3/8	650
HDSB-1200LQ#FF-D	4NES-14	\$21,840	\$22,340	\$2,550	F / Large	F	5/8	1-3/8	1,250
HDSB-1200LQ#JH-D	4NES-14	\$26,890	\$27,520	\$2,550	J / X-Large	H	5/8	1-3/8	1,575
HDSB-1400LQ#FF-D	4JE-15	\$22,870	\$23,310	\$3,690	F / Large	F	7/8	1-5/8	1,250
HDSB-1400LQ#JH-D	4JE-15	\$27,920	\$28,490	\$3,690	J / X-Large	H	7/8	1-5/8	1,575
HDSB-1600LQ#FF-D	4HE-18	\$23,450	\$23,730	\$3,690	F / Large	F	7/8	1-5/8	1,250
HDSB-1600LQ#JH-D	4HE-18	\$28,500	\$28,910	\$3,690	J / X-Large	H	7/8	1-5/8	1,575

- HE H-SERIES OPTIONS PAGE HAS STANDARD FEATURES AND BASIC OPTIONS LIST. USE H-SERIES SOFTWARE FOR ADDITIONAL CUSTOMIZATION.  
- ORDERS MUST INCLUDE THE FULL MODEL NUMBER INCLUDING CONDENSER AND RECEIVER "HDSB-0200MQ#AB"  
HDSB options include sealed liquid drier, pump down switch, time clock, solid mounted compressor, and crating.

(1) Maximum +32°F suction operation for B motor 2 compressors shown. Use E model motor 1 compressor where operation may exceed +20°F or for more efficient medium temperature operation. Add \$670 list to B motor pricing for E motors, confirm DOE from tech bulletin and update model number.

Prices, product availability, and specifications are subject to change without notice.



# HIGH EFFICIENCY H-SERIES PRODUCT DESCRIPTION - CONDENSING UNITS

Version: **September 2023**

## HDSB - HIGH EFFICIENCY H-SERIES BITZER ECOLINE CONDENSING UNITS

UNIT MODEL	COMPRESSOR MODEL	LIST PRICE		4 YEAR EXTENDED COMPRESSOR WARRANTY	TECHNICAL SPECIFICATIONS				SHIP WGT (LBS)
		208/3/60 K	460/3/60 M		CONDENSER AND CABINET SIZE	RCVR SIZE	CONNECTIONS (IN)		
Bitzer Ecoline - Medium Temperature R-449A									
HDSB-0050MR#BC-D	2KES-05	\$10,130	\$10,560	\$970	B / Medium	C	1/2	5/8	650
HDSB-0070MR#BC-D	2JES-07	\$10,210	\$10,650	\$970	B / Medium	C	1/2	5/8	650
HDSB-0070MR#DE-D	2JES-07	\$12,180	\$12,680	\$970	D / Medium	E	1/2	5/8	650
HDSB-0100MR#BC-D	2HES-1	\$10,390	\$10,820	\$970	B / Medium	C	1/2	5/8	650
HDSB-0100MR#DE-D	2HES-1	\$12,360	\$12,850	\$970	D / Medium	E	1/2	5/8	650
HDSB-0150MR#BC-D	2FES-2	\$10,420	\$10,860	\$970	B / Medium	C	5/8	5/8	650
HDSB-0150MR#DE-D	2FES-2	\$12,390	\$12,890	\$970	D / Medium	E	5/8	5/8	650
HDSB-0200MR#BC-D	2EES-2	\$11,300	\$11,730	\$1,340	B / Medium	C	5/8	7/8	650
HDSB-0200MR#DE-D	2EES-2	\$13,260	\$13,760	\$1,340	D / Medium	E	5/8	7/8	650
HDSB-0220MR#DE-D	2DES-2	\$13,500	\$14,000	\$1,340	D / Medium	E	5/8	7/8	650
HDSB-0220MR#FF-D	2DES-2	\$16,720	\$17,340	\$1,340	F / Large	F	5/8	7/8	1,250
HDSB-0300MR#DE-D	2CES-3	\$13,650	\$14,140	\$1,340	D / Medium	E	5/8	7/8	650
HDSB-0300MR#FF-D	2CES-3	\$16,890	\$17,510	\$1,340	F / Large	F	5/8	7/8	1,250
HDSB-0400MR#FF-D	4FES-3	\$17,670	\$18,290	\$1,880	F / Large	F	5/8	7/8	1,250
HDSB-0400MR#JH-D	4FES-3	\$22,720	\$23,460	\$1,880	J / X-Large	H	5/8	7/8	1,575
HDSB-0500MR#FF-D	4EES-4	\$17,870	\$18,490	\$1,880	F / Large	F	5/8	1-1/8	1,250
HDSB-0500MR#JH-D	4EES-4	\$22,920	\$23,670	\$1,880	J / X-Large	H	5/8	1-1/8	1,575
HDSB-0600MR#FF-D	4DES-5	\$18,360	\$18,980	\$1,880	F / Large	F	5/8	1-1/8	1,250
HDSB-0600MR#JH-D	4DES-5	\$23,410	\$24,160	\$1,880	J / X-Large	H	5/8	1-1/8	1,575
HDSB-0650MR#FF-D	4CES-6	\$19,730	\$20,340	\$1,880	F / Large	F	5/8	1-1/8	1,250
HDSB-0650MR#JH-D	4CES-6	\$24,780	\$25,520	\$1,880	J / X-Large	H	5/8	1-1/8	1,575
HDSB-0700MR#FF-D	4VES-7	\$20,150	\$20,760	\$2,550	F / Large	F	7/8	1-1/8	1,250
HDSB-0700MR#JH-D	4VES-7	\$25,200	\$25,940	\$2,550	J / X-Large	H	7/8	1-1/8	1,575
HDSB-0900MR#JH-D	4TES-9	\$25,460	\$26,190	\$2,550	J / X-Large	H	7/8	1-3/8	1,575
HDSB-1000MR#JH-D	4PES-12	\$25,690	\$26,390	\$2,550	J / X-Large	H	7/8	1-3/8	1,575
HDSB-1200MR#JH-D	4NES-14	\$26,400	\$27,040	\$2,550	J / X-Large	H	7/8	1-3/8	1,575

UNIT MODEL	COMPRESSOR MODEL	LIST PRICE		4 YEAR EXTENDED COMPRESSOR WARRANTY	TECHNICAL SPECIFICATIONS				SHIP WGT (LBS)
		208/3/60 K	460/3/60 M		CONDENSER AND CABINET SIZE	RCVR SIZE	CONNECTIONS (IN)		
Bitzer Ecoline - Low Temperature R-449A									
HDSB-0050LR#AB-D	2KES-05	\$8,770	\$9,210	\$970	A / Small	B	1/2	5/8	400
HDSB-0050LR#BC-D	2KES-05	\$10,130	\$10,560	\$970	B / Medium	C	1/2	5/8	650
HDSB-0070LR#AB-D	2JES-07	\$8,860	\$9,290	\$970	A / Small	B	1/2	5/8	400
HDSB-0070LR#BC-D	2JES-07	\$10,210	\$10,650	\$970	B / Medium	C	1/2	5/8	650
HDSB-0100LR#AB-D	2HES-1	\$9,030	\$9,470	\$970	A / Small	B	1/2	5/8	400
HDSB-0100LR#BC-D	2HES-1	\$10,390	\$10,820	\$970	B / Medium	C	1/2	5/8	650
HDSB-0150LR#AB-D	2FES-2	\$9,060	\$9,500	\$970	A / Small	B	1/2	5/8	400
HDSB-0150LR#BC-D	2FES-2	\$10,420	\$10,860	\$970	B / Medium	C	1/2	5/8	650
HDSB-0200LR#AB-D	2EES-2	\$9,940	\$10,370	\$1,340	A / Small	B	1/2	5/8	400
HDSB-0200LR#BC-D	2EES-2	\$11,300	\$11,730	\$1,340	B / Medium	C	1/2	5/8	650
HDSB-0220LR#AB-D	2DES-2	\$10,180	\$10,610	\$1,340	A / Small	B	1/2	7/8	400
HDSB-0220LR#BC-D	2DES-2	\$11,540	\$11,970	\$1,340	B / Medium	C	1/2	7/8	650
HDSB-0300LR#AB-D	2CES-3	\$10,320	\$10,760	\$1,340	A / Small	B	5/8	7/8	400
HDSB-0300LR#BC-D	2CES-3	\$11,680	\$12,120	\$1,340	B / Medium	C	5/8	7/8	650
HDSB-0400LR#BC-D	4FES-3	\$13,000	\$13,430	\$1,880	B / Medium	C	5/8	7/8	650
HDSB-0400LR#DE-D	4FES-3	\$14,960	\$15,460	\$1,880	D / Medium	E	5/8	7/8	650
HDSB-0500LR#BC-D	4EES-4	\$13,200	\$13,630	\$1,880	B / Medium	C	5/8	1-1/8	650
HDSB-0500LR#DE-D	4EES-4	\$15,170	\$15,660	\$1,880	D / Medium	E	5/8	1-1/8	650
HDSB-0600LR#BC-D	4DES-5	\$13,680	\$14,120	\$1,880	B / Medium	C	5/8	1-1/8	650
HDSB-0600LR#DE-D	4DES-5	\$15,650	\$16,150	\$1,880	D / Medium	E	5/8	1-1/8	650
HDSB-0650LR#BC-D	4CES-6	\$15,000	\$15,430	\$1,880	B / Medium	C	5/8	1-1/8	650
HDSB-0650LR#DE-D	4CES-6	\$16,970	\$17,460	\$1,880	D / Medium	E	5/8	1-1/8	650
HDSB-0700LR#BC-D	4VES-7	\$15,370	\$15,800	\$2,550	B / Medium	C	5/8	1-1/8	650
HDSB-0700LR#DE-D	4VES-7	\$17,340	\$17,830	\$2,550	D / Medium	E	5/8	1-1/8	650
HDSB-0900LR#BC-D	4TES-9	\$15,630	\$16,050	\$2,550	B / Medium	C	5/8	1-3/8	650
HDSB-0900LR#DE-D	4TES-9	\$17,600	\$18,080	\$2,550	D / Medium	E	5/8	1-3/8	650
HDSB-1000LR#BC-D	4PES-12	\$15,860	\$16,250	\$2,550	B / Medium	C	5/8	1-3/8	650
HDSB-1000LR#DE-D	4PES-12	\$17,830	\$18,280	\$2,550	D / Medium	E	5/8	1-3/8	650
HDSB-1200LR#FF-D	4NES-14	\$21,840	\$22,340	\$2,550	F / Large	F	5/8	1-3/8	1,250
HDSB-1200LR#JH-D	4NES-14	\$26,890	\$27,520	\$2,550	J / X-Large	H	5/8	1-3/8	1,575
HDSB-1400LR#FF-D	4JE-15	\$22,870	\$23,310	\$3,690	F / Large	F	7/8	1-5/8	1,250
HDSB-1400LR#JH-D	4JE-15	\$27,920	\$28,490	\$3,690	J / X-Large	H	7/8	1-5/8	1,575
HDSB-1600LR#FF-D	4HE-18	\$23,450	\$23,730	\$3,690	F / Large	F	7/8	1-5/8	1,250
HDSB-1600LR#JH-D	4HE-18	\$28,550	\$28,960	\$3,690	J / X-Large	H	7/8	1-5/8	1,575

-HE H-SERIES OPTIONS PAGE HAS STANDARD FEATURES AND BASIC OPTIONS LIST. USE H-SERIES SOFTWARE FOR ADDITIONAL CUSTOMIZATION.

-ORDERS MUST INCLUDE THE FULL MODEL NUMBER INCLUDING CONDENSER AND RECEIVER "HDSB-0200MRKAB"

HDSB options include sealed liquid drier, pump down switch, time clock, solid mounted compressor, and crating.

(1) Maximum +32°F suction operation for B motor 2 compressors shown. Use E model motor 1 compressor where operation may exceed +20°F for more efficient medium temperature operation.



# HIGH EFFICIENCY H-SERIES PRODUCT DESCRIPTION - CONDENSING UNITS

Version: September 2023

## HDSB - HIGH EFFICIENCY H-SERIES BITZER ECOLINE CONDENSING UNITS

UNIT MODEL	COMPRESSOR MODEL	LIST PRICE		4 YEAR EXTENDED COMPRESSOR WARRANTY	TECHNICAL SPECIFICATIONS				SHIP WGT (LBS)
		208/3/60 K	460/3/60 M		CONDENSER AND CABINET SIZE	RCVR SIZE	CONNECTIONS (IN)		
							LIQUID	SUCTION	
<b>Bitzer Ecoline - Medium Temperature R-404A</b>									
HDSB-0050MS#BC-D	2KES-05	\$10,130	\$10,560	\$970	B / Medium	C	1/2	5/8	650
HDSB-0070MS#BC-D	2JES-07	\$10,210	\$10,650	\$970	B / Medium	C	1/2	5/8	650
HDSB-0070MS#DE-D	2JES-07	\$12,180	\$12,680	\$970	D / Medium	E	1/2	5/8	650
HDSB-0100MS#BC-D	2HES-1	\$10,390	\$10,820	\$970	B / Medium	C	1/2	5/8	650
HDSB-0100MS#DE-D	2HES-1	\$12,360	\$12,850	\$970	D / Medium	E	1/2	5/8	650
HDSB-0150MS#BC-D	2FES-2	\$10,420	\$10,860	\$970	B / Medium	C	5/8	5/8	650
HDSB-0150MS#DE-D	2FES-2	\$12,390	\$12,890	\$970	D / Medium	E	5/8	5/8	650
HDSB-0200MS#BC-D	2EES-2	\$11,300	\$11,730	\$1,340	B / Medium	C	5/8	7/8	650
HDSB-0200MS#DE-D	2EES-2	\$13,260	\$13,760	\$1,340	D / Medium	E	5/8	7/8	650
HDSB-0220MS#DE-D	2DES-2	\$13,500	\$14,000	\$1,340	D / Medium	E	5/8	7/8	650
HDSB-0220MS#FF-D	2DES-2	\$16,720	\$17,340	\$1,340	F / Large	F	5/8	7/8	1,250
HDSB-0300MS#DE-D	2CES-3	\$13,650	\$14,140	\$1,340	D / Medium	E	5/8	7/8	650
HDSB-0300MS#FF-D	2CES-3	\$16,890	\$17,510	\$1,340	F / Large	F	5/8	7/8	1,250
HDSB-0400MS#FF-D	4FES-3	\$17,670	\$18,290	\$1,880	F / Large	F	5/8	7/8	1,250
HDSB-0400MS#JH-D	4FES-3	\$22,720	\$23,460	\$1,880	J / X-Large	H	5/8	7/8	1,575
HDSB-0500MS#FF-D	4EES-4	\$17,870	\$18,490	\$1,880	F / Large	F	5/8	1-1/8	1,250
HDSB-0500MS#JH-D	4EES-4	\$22,920	\$23,670	\$1,880	J / X-Large	H	5/8	1-1/8	1,575
HDSB-0600MS#FF-D	4DES-5	\$18,360	\$18,980	\$1,880	F / Large	F	5/8	1-1/8	1,250
HDSB-0600MS#JH-D	4DES-5	\$23,410	\$24,160	\$1,880	J / X-Large	H	5/8	1-1/8	1,575
HDSB-0650MS#FF-D	4CES-6	\$19,730	\$20,340	\$1,880	F / Large	F	5/8	1-1/8	1,250
HDSB-0650MS#JH-D	4CES-6	\$24,780	\$25,520	\$1,880	J / X-Large	H	5/8	1-1/8	1,575
HDSB-0700MS#FF-D	4VES-7	\$20,150	\$20,760	\$2,550	F / Large	F	7/8	1-1/8	1,250
HDSB-0700MS#JH-D	4VES-7	\$25,200	\$25,940	\$2,550	J / X-Large	H	7/8	1-1/8	1,575
HDSB-0900MS#JH-D	4TES-9	\$25,460	\$26,190	\$2,550	J / X-Large	H	7/8	1-3/8	1,575
HDSB-1000MS#JH-D	4PES-12	\$25,690	\$26,390	\$2,550	J / X-Large	H	7/8	1-3/8	1,575
HDSB-1200MS#JH-A	4NES-14	\$26,400	\$27,040	\$2,550	J / X-Large	H	7/8	1-3/8	1,575

UNIT MODEL	COMPRESSOR MODEL	LIST PRICE		4 YEAR EXTENDED COMPRESSOR WARRANTY	TECHNICAL SPECIFICATIONS				SHIP WGT (LBS)
		208/3/60 K	460/3/60 M		CONDENSER AND CABINET SIZE	RCVR SIZE	CONNECTIONS (IN)		
							LIQUID	SUCTION	
<b>Bitzer Ecoline - Low Temperature R-404A</b>									
HDSB-0050LS#AB-D	2KES-05	\$8,770	\$9,210	\$970	A / Small	B	1/2	5/8	400
HDSB-0050LS#BC-D	2KES-05	\$10,130	\$10,560	\$970	B / Medium	C	1/2	5/8	650
HDSB-0070LS#AB-D	2JES-07	\$8,860	\$9,290	\$970	A / Small	B	1/2	5/8	400
HDSB-0070LS#BC-D	2JES-07	\$10,210	\$10,650	\$970	B / Medium	C	1/2	5/8	650
HDSB-0100LS#AB-D	2HES-1	\$9,030	\$9,470	\$970	A / Small	B	1/2	5/8	400
HDSB-0100LS#BC-D	2HES-1	\$10,390	\$10,820	\$970	B / Medium	C	1/2	5/8	650
HDSB-0150LS#AB-D	2FES-2	\$9,060	\$9,500	\$970	A / Small	B	1/2	5/8	400
HDSB-0150LS#BC-D	2FES-2	\$10,420	\$10,860	\$970	B / Medium	C	1/2	5/8	650
HDSB-0200LS#AB-D	2EES-2	\$9,940	\$10,370	\$1,340	A / Small	B	1/2	7/8	400
HDSB-0200LS#BC-D	2EES-2	\$11,300	\$11,730	\$1,340	B / Medium	C	1/2	7/8	650
HDSB-0220LS#AB-D	2DES-2	\$10,180	\$10,610	\$1,340	A / Small	B	1/2	7/8	400
HDSB-0220LS#BC-D	2DES-2	\$11,540	\$11,970	\$1,340	B / Medium	C	1/2	7/8	650
HDSB-0300LS#AB-D	2CES-3	\$10,320	\$10,760	\$1,340	A / Small	B	5/8	7/8	400
HDSB-0300LS#BC-D	2CES-3	\$11,680	\$12,120	\$1,340	B / Medium	C	5/8	7/8	650
HDSB-0400LS#BC-D	4FES-3	\$12,460	\$12,890	\$1,880	B / Medium	C	5/8	7/8	650
HDSB-0400LS#DE-D	4FES-3	\$14,430	\$14,920	\$1,880	D / Medium	E	5/8	7/8	650
HDSB-0500LS#BC-D	4EES-4	\$12,660	\$13,100	\$1,880	B / Medium	C	5/8	1-1/8	650
HDSB-0500LS#DE-D	4EES-4	\$14,630	\$15,120	\$1,880	D / Medium	E	5/8	1-1/8	650
HDSB-0600LS#BC-D	4DES-5	\$13,150	\$13,580	\$1,880	B / Medium	C	5/8	1-1/8	650
HDSB-0600LS#DE-D	4DES-5	\$15,120	\$15,610	\$1,880	D / Medium	E	5/8	1-1/8	650
HDSB-0650LS#BC-D	4CES-6	\$14,470	\$14,900	\$1,880	B / Medium	C	5/8	1-1/8	650
HDSB-0650LS#DE-D	4CES-6	\$16,440	\$16,920	\$1,880	D / Medium	E	5/8	1-1/8	650
HDSB-0700LS#BC-D	4VES-7	\$14,890	\$15,320	\$2,550	B / Medium	C	5/8	1-1/8	650
HDSB-0700LS#DE-D	4VES-7	\$16,860	\$17,350	\$2,550	D / Medium	E	5/8	1-1/8	650
HDSB-0900LF#BC-D	4TES-9	\$15,140	\$15,570	\$2,550	B / Medium	C	5/8	1-3/8	650
HDSB-0900LS#DE-D	4TES-9	\$17,140	\$17,620	\$2,550	D / Medium	E	5/8	1-3/8	650
HDSB-1000LF#BC-D	4PES-12	\$15,380	\$15,770	\$2,550	B / Medium	C	5/8	1-3/8	650
HDSB-1000LS#DE-D	4PES-12	\$17,380	\$17,820	\$2,550	D / Medium	E	5/8	1-3/8	650
HDSB-1200LS#FF-D	4NES-14	\$21,300	\$21,810	\$2,550	F / Large	F	5/8	1-3/8	1,250
HDSB-1200LS#JH-D	4NES-14	\$26,350	\$26,990	\$2,550	J / X-Large	H	5/8	1-3/8	1,575
HDSB-1400LS#FF-D	4JE-15	\$22,340	\$22,780	\$3,690	F / Large	F	7/8	1-5/8	1,250
HDSB-1400LS#JH-D	4JE-15	\$27,440	\$28,010	\$3,690	J / X-Large	H	7/8	1-5/8	1,575
HDSB-1600LS#FF-A	4HE-18	\$22,950	\$23,240	\$3,690	F / Large	F	7/8	1-5/8	1,250
HDSB-1600LS#JH-D	4HE-18	\$28,000	\$28,410	\$3,690	J / X-Large	H	7/8	1-5/8	1,575

- HE H-SERIES OPTIONS PAGE HAS STANDARD FEATURES AND BASIC OPTIONS LIST. USE H-SERIES SOFTWARE FOR ADDITIONAL CUSTOMIZATION.

- ORDERS MUST INCLUDE THE FULL MODEL NUMBER INCLUDING CONDENSER AND RECEIVER "HDSB-0200MSKAB"

HDSB options include sealed liquid drier, pump down switch, time clock, solid mounted compressor, and crating.

(1) Maximum +32°F suction operation for B motor 2 compressors shown. Use E model motor 1 compressor where operation may exceed +20°F for more efficient medium temperature operation.





# HIGH EFFICIENCY H-SERIES PRODUCT DESCRIPTION - CONDENSING UNITS

Version: September 2023

## HDSB - HIGH EFFICIENCY H-SERIES BITZER ECOLINE CONDENSING UNITS

UNIT MODEL	COMPRESSOR MODEL	LIST PRICE		4 YEAR EXTENDED COMPRESSOR WARRANTY	TECHNICAL SPECIFICATIONS			SHIP WGT (LBS)	
		208/3/60 K	460/3/60 M		CONDENSER AND CABINET SIZE	RCVR SIZE	CONNECTIONS (IN) LIQUID SUCTION		
<b>Bitzer Ecoline - Medium Temperature R-448A</b>									
HDSB-0050MT#BC-D	2KES-05	\$10,130	\$10,560	\$970	B / Medium	C	1/2	5/8	650
HDSB-0070MT#BC-D	2JES-07	\$10,210	\$10,650	\$970	B / Medium	C	1/2	5/8	650
HDSB-0070MT#DE-D	2JES-07	\$12,180	\$12,680	\$970	D / Medium	E	1/2	5/8	650
HDSB-0100MT#BC-D	2HES-1	\$10,390	\$10,820	\$970	B / Medium	C	1/2	5/8	650
HDSB-0100MT#DE-D	2HES-1	\$12,360	\$12,850	\$970	D / Medium	E	1/2	5/8	650
HDSB-0150MT#BC-D	2FES-2	\$10,420	\$10,860	\$970	B / Medium	C	5/8	5/8	650
HDSB-0150MT#DE-D	2FES-2	\$12,390	\$12,890	\$970	D / Medium	E	5/8	5/8	650
HDSB-0200MT#BC-D	2EES-2	\$11,300	\$11,730	\$1,340	B / Medium	C	5/8	7/8	650
HDSB-0200MT#DE-D	2EES-2	\$13,260	\$13,760	\$1,340	D / Medium	E	5/8	7/8	650
HDSB-0220MT#DE-D	2DES-2	\$13,500	\$14,000	\$1,340	D / Medium	E	5/8	7/8	650
HDSB-0220MT#FF-D	2DES-2	\$16,720	\$17,340	\$1,340	F / Large	F	5/8	7/8	1,250
HDSB-0300MT#DE-D	2CES-3	\$13,650	\$14,140	\$1,340	D / Medium	E	5/8	7/8	650
HDSB-0300MT#FF-D	2CES-3	\$16,890	\$17,510	\$1,340	F / Large	F	5/8	7/8	1,250
HDSB-0400MT#FF-D	4FES-3	\$17,670	\$18,290	\$1,880	F / Large	F	5/8	7/8	1,250
HDSB-0400MT#JH-D	4FES-3	\$22,720	\$23,460	\$1,880	J / X-Large	H	5/8	7/8	1,575
HDSB-0500MT#JH-D	4EES-4	\$17,870	\$18,490	\$1,880	F / Large	F	5/8	1-1/8	1,250
HDSB-0500MT#JH-D	4EES-4	\$22,920	\$23,670	\$1,880	J / X-Large	H	5/8	1-1/8	1,575
HDSB-0600MT#FF-D	4DES-5	\$18,360	\$18,980	\$1,880	F / Large	F	5/8	1-1/8	1,250
HDSB-0600MT#JH-D	4DES-5	\$23,410	\$24,160	\$1,880	J / X-Large	H	5/8	1-1/8	1,575
HDSB-0650MT#FF-D	4CES-6	\$19,730	\$20,340	\$1,880	F / Large	F	5/8	1-1/8	1,250
HDSB-0650MT#JH-D	4CES-6	\$24,780	\$25,520	\$1,880	J / X-Large	H	5/8	1-1/8	1,575
HDSB-0700MT#FF-D	4VES-7	\$20,150	\$20,760	\$2,550	F / Large	F	7/8	1-1/8	1,250
HDSB-0700MT#JH-D	4VES-7	\$25,200	\$25,940	\$2,550	J / X-Large	H	7/8	1-1/8	1,575
HDSB-0900MT#JH-D	4TES-9	\$25,460	\$26,190	\$2,550	J / X-Large	H	7/8	1-3/8	1,575
HDSB-1000MT#JH-D	4PES-12	\$25,690	\$26,390	\$2,550	J / X-Large	H	7/8	1-3/8	1,575
HDSB-1200MT#JH-D	4NES-14	\$26,400	\$27,040	\$2,550	J / X-Large	H	7/8	1-3/8	1,575

UNIT MODEL	COMPRESSOR MODEL	LIST PRICE		4 YEAR EXTENDED COMPRESSOR WARRANTY	TECHNICAL SPECIFICATIONS			SHIP WGT (LBS)	
		208/3/60 K	460/3/60 M		CONDENSER AND CABINET SIZE	RCVR SIZE	CONNECTIONS (IN) LIQUID SUCTION		
<b>Bitzer Ecoline - Low Temperature R-448A</b>									
HDSB-0050LT#AB-D	2KES-05	\$8,770	\$9,210	\$970	A / Small	B	1/2	5/8	400
HDSB-0050LT#BC-D	2KES-05	\$10,130	\$10,560	\$970	B / Medium	C	1/2	5/8	650
HDSB-0070LT#AB-D	2JES-07	\$8,860	\$9,290	\$970	A / Small	B	1/2	5/8	400
HDSB-0070LT#BC-D	2JES-07	\$10,210	\$10,650	\$970	B / Medium	C	1/2	5/8	650
HDSB-0100LT#AB-D	2HES-1	\$9,030	\$9,470	\$970	A / Small	B	1/2	5/8	400
HDSB-0100LT#BC-D	2HES-1	\$10,390	\$10,820	\$970	B / Medium	C	1/2	5/8	650
HDSB-0150LT#AB-D	2FES-2	\$9,060	\$9,500	\$970	A / Small	B	1/2	5/8	400
HDSB-0150LT#BC-D	2FES-2	\$10,420	\$10,860	\$970	B / Medium	C	1/2	5/8	650
HDSB-0200LT#AB-D	2EES-2	\$9,940	\$10,370	\$1,340	A / Small	B	1/2	7/8	400
HDSB-0200LT#BC-D	2EES-2	\$11,300	\$11,730	\$1,340	B / Medium	C	1/2	7/8	650
HDSB-0220LT#AB-D	2DES-2	\$10,180	\$10,610	\$1,340	A / Small	B	1/2	7/8	400
HDSB-0220LT#BC-D	2DES-2	\$11,540	\$11,970	\$1,340	B / Medium	C	1/2	7/8	650
HDSB-0300LT#AB-D	2CES-3	\$10,320	\$10,760	\$1,340	A / Small	B	5/8	7/8	400
HDSB-0300LT#BC-D	2CES-3	\$11,680	\$12,120	\$1,340	B / Medium	C	5/8	7/8	650
HDSB-0400LT#BC-D	4FES-3	\$13,000	\$13,430	\$1,880	B / Medium	C	5/8	7/8	650
HDSB-0400LT#DE-D	4FES-3	\$14,960	\$15,460	\$1,880	D / Medium	E	5/8	7/8	650
HDSB-0500LT#BC-D	4EES-4	\$13,200	\$13,630	\$1,880	B / Medium	C	5/8	1-1/8	650
HDSB-0500LT#DE-D	4EES-4	\$15,170	\$15,660	\$1,880	D / Medium	E	5/8	1-1/8	650
HDSB-0600LT#BC-D	4DES-5	\$13,680	\$14,120	\$1,880	B / Medium	C	5/8	1-1/8	650
HDSB-0600LT#DE-D	4DES-5	\$15,650	\$16,150	\$1,880	D / Medium	E	5/8	1-1/8	650
HDSB-0650LT#BC-D	4CES-6	\$15,000	\$15,430	\$1,880	B / Medium	C	5/8	1-1/8	650
HDSB-0650LT#DE-D	4CES-6	\$16,970	\$17,460	\$1,880	D / Medium	E	5/8	1-1/8	650
HDSB-0700LT#BC-D	4VES-7	\$15,370	\$15,800	\$2,550	B / Medium	C	5/8	1-1/8	650
HDSB-0700LT#DE-D	4VES-7	\$17,340	\$17,830	\$2,550	D / Medium	E	5/8	1-1/8	650
HDSB-0900LT#BC-D	4TES-9	\$15,630	\$16,050	\$2,550	B / Medium	C	5/8	1-3/8	650
HDSB-0900LT#DE-D	4TES-9	\$17,600	\$18,080	\$2,550	D / Medium	E	5/8	1-3/8	650
HDSB-1000LT#BC-D	4PES-12	\$15,860	\$16,250	\$2,550	B / Medium	C	5/8	1-3/8	650
HDSB-1000LT#DE-D	4PES-12	\$17,830	\$18,280	\$2,550	D / Medium	E	5/8	1-3/8	650
HDSB-1200LT#FF-D	4NES-14	\$21,840	\$22,340	\$2,550	F / Large	F	5/8	1-3/8	1,250
HDSB-1200LT#JH-D	4NES-14	\$26,890	\$27,520	\$2,550	J / X-Large	H	5/8	1-3/8	1,575
HDSB-1400LT#FF-D	4JE-15	\$22,870	\$23,310	\$3,690	F / Large	F	7/8	1-5/8	1,250
HDSB-1400LT#JH-D	4JE-15	\$27,920	\$28,490	\$3,690	J / X-Large	H	7/8	1-5/8	1,575
HDSB-1600LT#FF-D	4HE-18	\$23,450	\$23,730	\$3,690	F / Large	F	7/8	1-5/8	1,250
HDSB-1600LT#JH-D	4HE-18	\$28,550	\$28,960	\$3,690	J / X-Large	H	7/8	1-5/8	1,575

- HE H-SERIES OPTIONS PAGE HAS STANDARD FEATURES AND BASIC OPTIONS LIST. USE H-SERIES SOFTWARE FOR ADDITIONAL CUSTOMIZATION.  
 - ORDERS MUST INCLUDE THE FULL MODEL NUMBER INCLUDING CONDENSER AND RECEIVER "HDSB-0200MQKAB"  
 HDSB options include sealed liquid drier, pump down switch, time clock, solid mounted compressor, and crating.

(1) Maximum +32°F suction operation for B motor 2 compressors shown. Use E model motor 1 compressor where operation may exceed +20°F or for more efficient medium temperature operation. Add \$670 list to B motor pricing for E motors, confirm DOE from tech bulletin and update model number.

Prices, product availability, and specifications are subject to change without notice.



# HIGH EFFICIENCY H-SERIES PRODUCT DESCRIPTION - CONDENSING UNITS

Version: September 2023

## HDSE - HIGH EFFICIENCY H-SERIES BITZER ECOLINE CONDENSING UNITS

UNIT MODEL	COMPRESSOR MODEL	LIST PRICE		4 YEAR EXTENDED COMPRESSOR WARRANTY	TECHNICAL SPECIFICATIONS				SHIP WGT (LBS)
		208/3/60 K	460/3/60 M		CONDENSER AND CABINET SIZE	RCVR SIZE	CONNECTIONS (IN)		
Bitzer Ecoline - Medium Temperature R-407F									
HDSB-0050MF#BC-D	2KES-05	\$10,130	\$10,560	\$970	B / Medium	C	1/2	5/8	650
HDSB-0070MF#BC-D	2JES-07	\$10,210	\$10,650	\$970	B / Medium	C	1/2	5/8	650
HDSB-0070MF#DE-D	2JES-07	\$12,180	\$12,680	\$970	D / Medium	E	1/2	5/8	650
HDSE-0100MF#BC-D	2HES-2	\$11,270	\$11,710	\$970	B / Medium	C	1/2	5/8	650
HDSE-0100MF#DE-D	2HES-2	\$13,240	\$13,740	\$970	D / Medium	E	1/2	5/8	650
HDSE-0150MF#BC-D	2FES-3	\$11,570	\$12,010	\$970	B / Medium	C	5/8	5/8	650
HDSE-0150MF#DE-D	2FES-3	\$13,540	\$14,030	\$970	D / Medium	E	5/8	5/8	650
HDSE-0200MF#BC-D	2EES-3	\$11,930	\$12,360	\$1,340	B / Medium	C	5/8	7/8	650
HDSE-0200MF#DE-D	2EES-3	\$13,900	\$14,390	\$1,340	D / Medium	E	5/8	7/8	650
HDSE-0220MF#DE-D	2DES-3	\$14,180	\$14,670	\$1,340	D / Medium	E	5/8	7/8	650
HDSE-0220MF#FF-D	2DES-3	SEE NOTE 1	SEE NOTE 1	\$1,340	F / Large	F	5/8	7/8	1,250
HDSE-0300MF#DE-D	2CES-4	\$14,600	\$15,100	\$1,340	D / Medium	E	5/8	7/8	650
HDSE-0300MF#FF-D	2CES-4	\$17,820	\$18,440	\$1,340	F / Large	F	5/8	7/8	1,250
HDSE-0400MF#FF-D	4FES-5	\$18,060	\$18,670	\$1,880	F / Large	F	5/8	7/8	1,250
HDSE-0400MF#JH-D	4FES-5	\$23,110	\$23,850	\$1,880	J / X-Large	H	5/8	7/8	1,575
HDSE-0500MF#FF-D	4EES-6	\$18,260	\$18,870	\$1,880	F / Large	F	5/8	1-1/8	1,250
HDSE-0500MF#JH-D	4EES-6	\$23,320	\$24,040	\$1,880	J / X-Large	H	5/8	1-1/8	1,575
HDSE-0600MF#FF-D	4DES-7	\$18,750	\$19,330	\$1,880	F / Large	F	5/8	1-1/8	1,250
HDSE-0600MF#JH-D	4DES-7	\$23,810	\$24,500	\$1,880	J / X-Large	H	5/8	1-1/8	1,575
HDSE-0700MF#FF-D	4VES-10	\$20,470	\$20,980	\$2,550	F / Large	F	7/8	1-1/8	1,250
HDSE-0700MF#JH-D	4VES-10	\$25,520	\$26,150	\$2,550	J / X-Large	H	7/8	1-1/8	1,575
HDSE-0900MF#FF-D	4TES-12	\$20,820	\$21,330	\$2,550	F / Large	F	7/8	1-3/8	1,250
HDSE-0900MF#JH-D	4TES-12	\$25,870	\$26,500	\$2,550	J / X-Large	H	7/8	1-3/8	1,575
HDSE-1000MF#JH-D	4PES-15	\$25,950	\$26,520	\$2,550	J / X-Large	H	7/8	1-5/8	1,575
HDSE-1200MF#JH-D	4NES-20	\$27,280	\$27,730	\$2,550	J / X-Large	H	7/8	1-5/8	1,575

- HE H-SERIES OPTIONS PAGE HAS STANDARD FEATURES AND BASIC OPTIONS LIST. USE H-SERIES SOFTWARE FOR ADDITIONAL CUSTOMIZATION.

- ORDERS MUST INCLUDE THE FULL MODEL NUMBER INCLUDING CONDENSER AND RECEIVER "HDSE-0200MFKAB"  
HDSE options include sealed liquid drier, pump down switch, time clock, solid mounted compressor, and crating.

- (1) Use "E" Bitzer Motor 1 compressor where operation is above +20°F for more efficient medium temperature operation.
- (2) The "B" Bitzer Motor 2 compressor in the two smaller models is rated for higher temperature operation with no motor change.

**NOTE 1 :** CONTACT AN APPLICATION OR SALES ENGINEER FOR PRICING.



# HIGH EFFICIENCY H-SERIES PRODUCT DESCRIPTION - CONDENSING UNITS

Version: September 2023

## HDSE - HIGH EFFICIENCY H-SERIES BITZER ECOLINE CONDENSING UNITS

UNIT MODEL	COMPRESSOR MODEL	LIST PRICE		4 YEAR EXTENDED COMPRESSOR WARRANTY	TECHNICAL SPECIFICATIONS				SHIP WGT (LBS)
		208/3/60 K	460/3/60 M		CONDENSER AND CABINET SIZE	RCVR SIZE	CONNECTIONS (IN)		
Bitzer Ecoline - Medium Temperature R-507A									
HDSB-0050MP#BC-A	2KES-05	\$10,130	\$10,560	\$970	B / Medium	C	1/2	5/8	650
HDSB-0070MP#BC-A	2JES-07	\$10,210	\$10,650	\$970	B / Medium	C	1/2	5/8	650
HDSB-0070MP#DE-A	2JES-07	\$12,180	\$12,680	\$970	D / Medium	E	1/2	5/8	650
HDSE-0100MP#BC-D	2HES-2	\$11,270	\$11,710	\$970	B / Medium	C	1/2	5/8	650
HDSE-0100MP#DE-D	2HES-2	\$13,240	\$13,740	\$970	D / Medium	E	1/2	5/8	650
HDSE-0150MP#BC-D	2FES-3	\$11,570	\$12,010	\$970	B / Medium	C	5/8	5/8	650
HDSE-0150MP#DE-D	2FES-3	\$13,540	\$14,030	\$970	D / Medium	E	5/8	5/8	650
HDSE-0200MP#BC-D	2EES-3	\$11,930	\$12,360	\$1,340	B / Medium	C	5/8	7/8	650
HDSE-0200MP#DE-D	2EES-3	\$13,900	\$14,390	\$1,340	D / Medium	E	5/8	7/8	650
HDSE-0220MP#DE-D	2DES-3	\$14,180	\$14,670	\$1,340	D / Medium	E	5/8	7/8	650
HDSE-0220MP#FF-D	2DES-3	SEE NOTE 1	SEE NOTE 1	\$1,340	F / Large	F	5/8	7/8	1,250
HDSE-0300MP#DE-D	2CES-4	\$14,600	\$15,100	\$1,340	D / Medium	E	5/8	7/8	650
HDSE-0300MP#FF-D	2CES-4	\$17,850	\$18,460	\$1,340	F / Large	F	5/8	7/8	1,250
HDSE-0400MP#FF-D	4FES-5	\$18,060	\$18,670	\$1,880	F / Large	F	5/8	7/8	1,250
HDSE-0400MP#JH-D	4FES-5	\$23,110	\$23,850	\$1,880	J / X-Large	H	5/8	7/8	1,575
HDSE-0500MP#FF-D	4EES-6	\$18,260	\$18,870	\$1,880	F / Large	F	5/8	1-1/8	1,250
HDSE-0500MP#JH-D	4EES-6	\$23,320	\$24,040	\$1,880	J / X-Large	H	5/8	1-1/8	1,575
HDSE-0600MP#FF-D	4DES-7	\$18,750	\$19,330	\$1,880	F / Large	F	5/8	1-1/8	1,250
HDSE-0600MP#JH-D	4DES-7	\$23,810	\$24,500	\$1,880	J / X-Large	H	5/8	1-1/8	1,575
HDSE-0700MP#FF-D	4VES-10	\$20,520	\$21,030	\$2,550	F / Large	F	7/8	1-1/8	1,250
HDSE-0700MP#JH-D	4VES-10	\$25,570	\$26,200	\$2,550	J / X-Large	H	7/8	1-1/8	1,575
HDSE-0900MP#FF-D	4TES-12	\$20,820	\$21,330	\$2,550	F / Large	F	7/8	1-3/8	1,250
HDSE-0900MP#JH-D	4TES-12	\$25,870	\$26,500	\$2,550	J / X-Large	H	7/8	1-3/8	1,575
HDSE-1000MP#JH-D	4PES-15	\$25,950	\$26,520	\$2,550	J / X-Large	H	7/8	1-5/8	1,575
HDSE-1200MP#JH-D	4NES-20	\$27,280	\$27,730	\$2,550	J / X-Large	H	7/8	1-5/8	1,575

- HE H-SERIES OPTIONS PAGE HAS STANDARD FEATURES AND BASIC OPTIONS LIST. USE H-SERIES SOFTWARE FOR ADDITIONAL CUSTOMIZATION.

- ORDERS MUST INCLUDE THE FULL MODEL NUMBER INCLUDING CONDENSER AND RECEIVER "HDSE-0200MPKAB"

HDSE options include sealed liquid drier, pump down switch, time clock, solid mounted compressor, and crating.

(1) Use "E" Bitzer Motor 1 compressor where operation is above +20°F for more efficient medium temperature operation.

(2) The "B" Bitzer Motor 2 compressor in the two smaller models is rated for higher temperature operation with no motor change.

**NOTE 1 :** CONTACT AN APPLICATION OR SALES ENGINEER FOR PRICING.





# HIGH EFFICIENCY H-SERIES PRODUCT DESCRIPTION - CONDENSING UNITS

Version: **September 2023**

## HDSE - HIGH EFFICIENCY H-SERIES BITZER ECOLINE CONDENSING UNITS

UNIT MODEL	COMPRESSOR MODEL	LIST PRICE		4 YEAR EXTENDED COMPRESSOR WARRANTY	TECHNICAL SPECIFICATIONS				SHIP WGT (LBS)
		208/3/60 K	460/3/60 M		CONDENSER AND CABINET SIZE	RCVR SIZE	CONNECTIONS (IN)		
Bitzer Ecoline - Medium Temperature R-407A									
HDSE-0050MQ#BC-A	2KES-05	\$10,130	\$10,560	\$970	B / Medium	C	1/2	5/8	650
HDSE-0070MQ#BC-D	2JES-07	\$10,210	\$10,650	\$970	B / Medium	C	1/2	5/8	650
HDSE-0070MQ#DE-A	2JES-07	\$12,180	\$12,680	\$970	D / Medium	E	1/2	5/8	650
HDSE-0100MQ#BC-D	2HES-2	\$11,270	\$11,710	\$970	B / Medium	C	1/2	5/8	650
HDSE-0100MQ#DE-D	2HES-2	\$13,240	\$13,740	\$970	D / Medium	E	1/2	5/8	650
HDSE-0150MQ#BC-D	2FES-3	\$11,570	\$12,010	\$970	B / Medium	C	5/8	5/8	650
HDSE-0150MQ#DE-D	2FES-3	\$13,540	\$14,030	\$970	D / Medium	E	5/8	5/8	650
HDSE-0200MQ#BC-D	2EES-3	\$11,930	\$12,360	\$1,340	B / Medium	C	5/8	7/8	650
HDSE-0200MQ#DE-D	2EES-3	\$13,900	\$14,390	\$1,340	D / Medium	E	5/8	7/8	650
HDSE-0220MQ#DE-D	2DES-3	\$14,180	\$14,670	\$1,340	D / Medium	E	5/8	7/8	650
HDSE-0220MQ#FF-D	2DES-3	SEE NOTE 1	SEE NOTE 1	\$1,340	F / Large	F	5/8	7/8	1,250
HDSE-0300MQ#DE-D	2CES-4	\$14,600	\$15,100	\$1,340	D / Medium	E	5/8	7/8	650
HDSE-0300MQ#FF-D	2CES-4	\$17,850	\$18,460	\$1,340	F / Large	F	5/8	7/8	1,250
HDSE-0400MQ#FF-D	4FES-5	\$18,060	\$18,670	\$1,880	F / Large	F	5/8	7/8	1,250
HDSE-0400MQ#JH-D	4FES-5	\$23,110	\$23,850	\$1,880	J / X-Large	H	5/8	7/8	1,575
HDSE-0500MQ#FF-D	4EES-6	\$18,260	\$18,870	\$1,880	F / Large	F	5/8	1-1/8	1,250
HDSE-0500MQ#JH-D	4EES-6	\$23,320	\$24,040	\$1,880	J / X-Large	H	5/8	1-1/8	1,575
HDSE-0600MQ#FF-D	4DES-7	\$18,750	\$19,330	\$1,880	F / Large	F	5/8	1-1/8	1,250
HDSE-0600MQ#JH-D	4DES-7	\$23,810	\$24,500	\$1,880	J / X-Large	H	5/8	1-1/8	1,575
HDSE-0700MQ#FF-D	4VES-10	\$20,520	\$21,030	\$2,550	F / Large	F	7/8	1-1/8	1,250
HDSE-0700MQ#JH-D	4VES-10	\$25,570	\$26,200	\$2,550	J / X-Large	H	7/8	1-1/8	1,575
HDSE-0900MQ#FF-D	4TES-12	\$20,820	\$21,330	\$2,550	F / Large	F	7/8	1-3/8	1,250
HDSE-0900MQ#JH-D	4TES-12	\$25,870	\$26,500	\$2,550	J / X-Large	H	7/8	1-3/8	1,575
HDSE-1000MQ#JH-D	4PES-15	\$25,950	\$26,520	\$2,550	J / X-Large	H	7/8	1-5/8	1,575
HDSE-1200MQ#JH-D	4NES-20	\$27,280	\$27,730	\$2,550	J / X-Large	H	7/8	1-5/8	1,575

**-HE H-SERIES OPTIONS PAGE HAS STANDARD FEATURES AND BASIC OPTIONS LIST. USE H-SERIES SOFTWARE FOR ADDITIONAL CUSTOMIZATION.**

**-ORDERS MUST INCLUDE THE FULL MODEL NUMBER INCLUDING CONDENSER AND RECEIVER "HDSE-0200MQKAB"**

**HDSE options include sealed liquid drier, pump down switch, time clock, solid mounted compressor, and crating.**

- (1) Use "E" Bitzer Motor 1 compressor where operation is above +20°F for more efficient medium temperature operation.
- (2) The "B" Bitzer Motor 2 compressor in the two smaller models is rated for higher temperature operation with no motor change.

**NOTE 1 : CONTACT AN APPLICATION OR SALES ENGINEER FOR PRICING.**



# HIGH EFFICIENCY H-SERIES PRODUCT DESCRIPTION - CONDENSING UNITS

Version: **September 2023**

## HDSE - HIGH EFFICIENCY H-SERIES BITZER ECOLINE CONDENSING UNITS

UNIT MODEL	COMPRESSOR MODEL	LIST PRICE		4 YEAR EXTENDED COMPRESSOR WARRANTY	TECHNICAL SPECIFICATIONS				SHIP WGT (LBS)
		208/3/60 K	460/3/60 M		CONDENSER AND CABINET SIZE	RCVR SIZE	CONNECTIONS (IN)		
Bitzer Ecoline - Medium Temperature R-449A									
HDSE-0050MR#BC-A	2KES-05	\$10,130	\$10,560	\$970	B / Medium	C	1/2	5/8	650
HDSE-0070MR#BC-A	2JES-07	\$10,210	\$10,650	\$970	B / Medium	C	1/2	5/8	650
HDSE-0070MR#DE-A	2JES-07	\$12,180	\$12,680	\$970	D / Medium	E	1/2	5/8	650
HDSE-0100MR#BC-D	2HES-2	\$11,270	\$11,710	\$970	B / Medium	C	1/2	5/8	650
HDSE-0100MR#DE-D	2HES-2	\$13,240	\$13,740	\$970	D / Medium	E	1/2	5/8	650
HDSE-0150MR#BC-D	2FES-3	\$11,570	\$12,010	\$970	B / Medium	C	5/8	5/8	650
HDSE-0150MR#DE-D	2FES-3	\$13,540	\$14,030	\$970	D / Medium	E	5/8	5/8	650
HDSE-0200MR#BC-D	2EES-3	\$11,930	\$12,360	\$1,340	B / Medium	C	5/8	7/8	650
HDSE-0200MR#DE-D	2EES-3	\$13,900	\$14,390	\$1,340	D / Medium	E	5/8	7/8	650
HDSE-0220MR#DE-D	2DES-3	\$14,180	\$14,670	\$1,340	D / Medium	E	5/8	7/8	650
HDSE-0220MR#FF-D	2DES-3	SEE NOTE 1	SEE NOTE 1	\$1,340	F / Large	F	5/8	7/8	1,250
HDSE-0300MR#DE-D	2CES-4	\$14,600	\$15,100	\$1,340	D / Medium	E	5/8	7/8	650
HDSE-0300MR#FF-D	2CES-4	\$17,850	\$18,460	\$1,340	F / Large	F	5/8	7/8	1,250
HDSE-0400MR#FF-D	4FES-5	\$18,060	\$18,670	\$1,880	F / Large	F	5/8	7/8	1,250
HDSE-0400MR#JH-D	4FES-5	\$23,110	\$23,850	\$1,880	J / X-Large	H	5/8	7/8	1,575
HDSE-0500MR#FF-D	4EES-6	\$18,260	\$18,870	\$1,880	F / Large	F	5/8	1-1/8	1,250
HDSE-0500MR#JH-D	4EES-6	\$23,320	\$24,040	\$1,880	J / X-Large	H	5/8	1-1/8	1,575
HDSE-0600MR#FF-D	4DES-7	\$18,750	\$19,330	\$1,880	F / Large	F	5/8	1-1/8	1,250
HDSE-0600MR#JH-D	4DES-7	\$23,810	\$24,500	\$1,880	J / X-Large	H	5/8	1-1/8	1,575
HDSE-0700MR#FF-D	4VES-10	\$20,520	\$21,030	\$2,550	F / Large	F	7/8	1-1/8	1,250
HDSE-0700MR#JH-D	4VES-10	\$25,570	\$26,200	\$2,550	J / X-Large	H	7/8	1-1/8	1,575
HDSE-0900MR#FF-D	4TES-12	\$20,820	\$21,330	\$2,550	F / Large	F	7/8	1-3/8	1,250
HDSE-0900MR#JH-D	4TES-12	\$25,870	\$26,500	\$2,550	J / X-Large	H	7/8	1-3/8	1,575
HDSE-1000MR#JH-D	4PES-15	\$25,950	\$26,520	\$2,550	J / X-Large	H	7/8	1-5/8	1,575
HDSE-1200MR#JH-D	4NES-20	\$27,280	\$27,730	\$2,550	J / X-Large	H	7/8	1-5/8	1,575

- HE H-SERIES OPTIONS PAGE HAS STANDARD FEATURES AND BASIC OPTIONS LIST. USE H-SERIES SOFTWARE FOR ADDITIONAL CUSTOMIZATION.

- ORDERS MUST INCLUDE THE FULL MODEL NUMBER INCLUDING CONDENSER AND RECEIVER "HDSE-0200MRKAB"

HDSE options include sealed liquid drier, pump down switch, time clock, solid mounted compressor, and crating.

- (1) Use "E" Bitzer Motor 1 compressor where operation is above +20°F for more efficient medium temperature operation.
- (2) The "B" Bitzer Motor 2 compressor in the two smaller models is rated for higher temperature operation with no motor change.

**NOTE 1** : CONTACT AN APPLICATION OR SALES ENGINEER FOR PRICING.



# HIGH EFFICIENCY H-SERIES PRODUCT DESCRIPTION - CONDENSING UNITS

Version: **September 2023**

## HDSE - HIGH EFFICIENCY H-SERIES BITZER ECOLINE CONDENSING UNITS

UNIT MODEL	COMPRESSOR MODEL	LIST PRICE		4 YEAR EXTENDED COMPRESSOR WARRANTY	TECHNICAL SPECIFICATIONS				SHIP WGT (LBS)
		208/3/60 K	460/3/60 M		CONDENSER AND CABINET SIZE	RCVR SIZE	CONNECTIONS (IN)		
Bitzer Ecoline - Medium Temperature R-404A									
							LIQUID	SUCTION	
HDSB-0050MS#BC-D <sup>(2)</sup>	2KES-05	\$10,130	\$10,560	\$970	B / Medium	C	1/2	5/8	650
HDSB-0070MS#BC-D <sup>(2)</sup>	2JES-07	\$10,210	\$10,650	\$970	B / Medium	C	1/2	5/8	650
HDSB-0070MS#DE-D <sup>(2)</sup>	2JES-07	\$12,180	\$12,680	\$970	D / Medium	E	1/2	5/8	650
HDSE-0100MS#BC-D	2HES-2	\$11,270	\$11,710	\$970	B / Medium	C	1/2	5/8	650
HDSE-0100MS#DE-D	2HES-2	\$13,240	\$13,740	\$970	D / Medium	E	1/2	5/8	650
HDSE-0150MS#BC-D	2FES-3	\$11,570	\$12,010	\$970	B / Medium	C	5/8	5/8	650
HDSE-0150MS#DE-D	2FES-3	\$13,540	\$14,030	\$970	D / Medium	E	5/8	5/8	650
HDSE-0200MS#BC-D	2EES-3	\$11,930	\$12,360	\$1,340	B / Medium	C	5/8	7/8	650
HDSE-0200MS#DE-D	2EES-3	\$13,900	\$14,390	\$1,340	D / Medium	E	5/8	7/8	650
HDSE-0220MS#DE-D	2DES-3	\$14,180	\$14,670	\$1,340	D / Medium	E	5/8	7/8	650
HDSE-0220MS#FF-D	2DES-3	SEE NOTE 1	SEE NOTE 1	\$1,340	F / Large	F	5/8	7/8	1,250
HDSE-0300MS#DE-D	2CES-4	\$14,600	\$15,100	\$1,340	D / Medium	E	5/8	7/8	650
HDSE-0300MS#FF-D	2CES-4	\$17,850	\$18,460	\$1,340	F / Large	F	5/8	7/8	1,250
HDSE-0400MS#FF-D	4FES-5	\$18,060	\$18,670	\$1,880	F / Large	F	5/8	7/8	1,250
HDSE-0400MS#JH-D	4FES-5	\$23,110	\$23,850	\$1,880	J / X-Large	H	5/8	7/8	1,575
HDSE-0500MS#FF-D	4EES-6	\$18,260	\$18,870	\$1,880	F / Large	F	5/8	1-1/8	1,250
HDSE-0500MS#JH-D	4EES-6	\$23,320	\$24,040	\$1,880	J / X-Large	H	5/8	1-1/8	1,575
HDSE-0600MS#FF-D	4DES-7	\$18,750	\$19,330	\$1,880	F / Large	F	5/8	1-1/8	1,250
HDSE-0600MS#JH-D	4DES-7	\$23,810	\$24,500	\$1,880	J / X-Large	H	5/8	1-1/8	1,575
HDSE-0700MS#FF-D	4VES-10	\$20,520	\$21,030	\$2,550	F / Large	F	7/8	1-1/8	1,250
HDSE-0700MS#JH-D	4VES-10	\$25,570	\$26,200	\$2,550	J / X-Large	H	7/8	1-1/8	1,575
HDSE-0900MS#FF-D	4TES-12	\$20,820	\$21,330	\$2,550	F / Large	F	7/8	1-3/8	1,250
HDSE-0900MS#JH-D	4TES-12	\$25,870	\$26,500	\$2,550	J / X-Large	H	7/8	1-3/8	1,575
HDSE-1000MS#JH-D	4PES-15	\$25,950	\$26,520	\$2,550	J / X-Large	H	7/8	1-5/8	1,575
HDSE-1200MS#JH-D	4NES-20	\$27,280	NOTE 1	\$2,550	J / X-Large	H	7/8	1-5/8	1,575

- HE H-SERIES OPTIONS PAGE HAS STANDARD FEATURES AND BASIC OPTIONS LIST. USE H-SERIES SOFTWARE FOR ADDITIONAL CUSTOMIZATION.

- ORDERS MUST INCLUDE THE FULL MODEL NUMBER INCLUDING CONDENSER AND RECEIVER "HDSE-0200MSKAB"

HDSE options include sealed liquid drier, pump down switch, time clock, solid mounted compressor, and crating.

- (1) Use "E" Bitzer Motor 1 compressor where operation is above +20°F for more efficient medium temperature operation.
- (2) The "B" Bitzer Motor 2 compressor in the two smaller models is rated for higher temperature operation with no motor change.

**NOTE 1 :** CONTACT AN APPLICATION OR SALES ENGINEER FOR PRICING.



# HIGH EFFICIENCY H-SERIES PRODUCT DESCRIPTION - CONDENSING UNITS

Version: **September 2023**

## HDSE - HIGH EFFICIENCY H-SERIES BITZER ECOLINE CONDENSING UNITS

UNIT MODEL	COMPRESSOR MODEL	LIST PRICE		4 YEAR EXTENDED COMPRESSOR WARRANTY	TECHNICAL SPECIFICATIONS				SHIP WGT (LBS)
		208/3/60 K	460/3/60 M		CONDENSER AND CABINET SIZE	RCVR SIZE	CONNECTIONS (IN)		
							LIQUID	SUCTION	
<b>Bitzer Ecoline - Medium Temperature R-448A</b>									
HDSB-0050MT#BC-A	2KES-05	\$10,130	\$10,560	\$970	B / Medium	C	1/2	5/8	650
HDSB-0070MT#BC-A	2JES-07	\$10,210	\$10,650	\$970	B / Medium	C	1/2	5/8	650
HDSB-0070MT#DE-A	2JES-07	\$12,180	\$12,680	\$970	D / Medium	E	1/2	5/8	650
HDSE-0100MT#BC-D	2HES-2	\$11,270	\$11,710	\$970	B / Medium	C	1/2	5/8	650
HDSE-0100MT#DE-D	2HES-2	\$13,240	\$13,740	\$970	D / Medium	E	1/2	5/8	650
HDSE-0150MT#BC-D	2FES-3	\$11,570	\$12,010	\$970	B / Medium	C	5/8	5/8	650
HDSE-0150MT#DE-D	2FES-3	\$13,540	\$14,030	\$970	D / Medium	E	5/8	5/8	650
HDSE-0200MT#BC-D	2EES-3	\$11,930	\$12,360	\$1,340	B / Medium	C	5/8	7/8	650
HDSE-0200MT#DE-D	2EES-3	\$13,900	\$14,390	\$1,340	D / Medium	E	5/8	7/8	650
HDSE-0220MT#DE-D	2DES-3	\$14,180	\$14,670	\$1,340	D / Medium	E	5/8	7/8	650
HDSE-0220MT#FF-D	2DES-3	SEE NOTE 1	SEE NOTE 1	\$1,340	F / Large	F	5/8	7/8	1,250
HDSE-0300MT#DE-D	2CES-4	\$14,600	\$15,100	\$1,340	D / Medium	E	5/8	7/8	650
HDSE-0300MT#FF-D	2CES-4	\$17,850	\$18,460	\$1,340	F / Large	F	5/8	7/8	1,250
HDSE-0400MT#FF-D	4FES-5	\$18,060	\$18,670	\$1,880	F / Large	F	5/8	7/8	1,250
HDSE-0400MT#JH-D	4FES-5	\$23,110	\$23,850	\$1,880	J / X-Large	H	5/8	7/8	1,575
HDSE-0500MT#FF-D	4EES-6	\$18,260	\$18,870	\$1,880	F / Large	F	5/8	1-1/8	1,250
HDSE-0500MT#JH-D	4EES-6	\$23,320	\$24,040	\$1,880	J / X-Large	H	5/8	1-1/8	1,575
HDSE-0600MT#FF-D	4DES-7	\$18,750	\$19,330	\$1,880	F / Large	F	5/8	1-1/8	1,250
HDSE-0600MT#JH-D	4DES-7	\$23,810	\$24,500	\$1,880	J / X-Large	H	5/8	1-1/8	1,575
HDSE-0700MT#FF-D	4VES-10	\$20,520	\$21,030	\$2,550	F / Large	F	7/8	1-1/8	1,250
HDSE-0700MT#JH-D	4VES-10	\$25,570	\$26,200	\$2,550	J / X-Large	H	7/8	1-1/8	1,575
HDSE-0900MT#FF-D	4TES-12	\$20,820	\$21,330	\$2,550	F / Large	F	7/8	1-3/8	1,250
HDSE-0900MT#JH-D	4TES-12	\$25,870	\$26,500	\$2,550	J / X-Large	H	7/8	1-3/8	1,575
HDSE-1000MT#JH-D	4PES-15	\$25,950	\$26,520	\$2,550	J / X-Large	H	7/8	1-5/8	1,575
HDSE-1200MT#JH-D	4NES-20	\$27,280	\$27,730	\$2,550	J / X-Large	H	7/8	1-5/8	1,575

- HE H-SERIES OPTIONS PAGE HAS STANDARD FEATURES AND BASIC OPTIONS LIST. USE H-SERIES SOFTWARE FOR ADDITIONAL CUSTOMIZATION.

- ORDERS MUST INCLUDE THE FULL MODEL NUMBER INCLUDING CONDENSER AND RECEIVER "HDSE-0200MTKAB"

HDSE options include sealed liquid drier, pump down switch, time clock, solid mounted compressor, and crating.

(1) Use "E" Bitzer Motor 1 compressor where operation is above +20°F for more efficient medium temperature operation.

(2) The "B" Bitzer Motor 2 compressor in the two smaller models is rated for higher temperature operation with no motor change.

**NOTE 1 :** CONTACT AN APPLICATION OR SALES ENGINEER FOR PRICING.



# HIGH EFFICIENCY H-SERIES PRODUCT DESCRIPTION - CONDENSING UNITS

Version: September 2023

## HIGH EFFICIENCY H-SERIES OPTIONS

APPLIES TO HIGH EFFICIENCY H-SERIES CONDENSING UNITS EQUIPPED WITH BITZER SEMI-HERMETIC, COPELAND DISCUS, and SCROLL COMPRESSORS

STANDARD OPTIONS	AVAILABLE OPTIONS (SHOWN BELOW)	ADDITIONAL OPTIONS AVAILABLE FROM SOFTWARE
<ul style="list-style-type: none"> <li>Galvanized Steel Outdoor Housing</li> <li>Manual Reset High Pressure Control (Encapsulated)</li> <li>Adjustable Auto-Reset Low Pressure Control</li> <li>Oil Pressure Failure Control (Discus Compressors Only)</li> <li>Adjustable Head Pressure Control</li> <li>Crankcase Heater</li> <li>Vertical Receiver with Fusible Plug</li> <li>Compressor Contactor and Fuses</li> <li>Control Circuit with Fuses</li> <li>Sealed Liquid Line Drier and Sight Glass</li> <li>Pump Down Switch</li> <li>UL Listed</li> <li>Time Clock for Defrost Scheduling</li> <li>Oversized Condenser</li> <li>Ambient Fan Cycling on Multi-Fan Units (One-Stage)</li> <li>Skid with Plastic Wrap for Shipments (Default)</li> </ul>	<ul style="list-style-type: none"> <li>Sealed Suction Filter</li> <li>Replaceable Core Suction Filter</li> <li>Suction Accumulator</li> <li>Oil Separator</li> <li>Liquid Line Solenoid</li> <li>Fused Disconnect</li> <li>Phase Monitor</li> <li>Fan Cycling</li> <li>Electric Defrost Kits</li> <li>Electrofin Condenser Coating</li> <li>Oversized Receiver</li> <li>Hurricane-Rated Kits</li> <li>Wood Frame Crating for Shipments (Recommended for any LTL or PTL Deliveries)</li> </ul>	<ul style="list-style-type: none"> <li>Stackable Indoor Option</li> <li>Oil Regulator</li> <li>Relief Valve Instead of Fusible Plug</li> <li>Oil Level Regulator (with Oil Separator)</li> <li>Compressor Unloader (Discus or Bitzer)</li> <li>Discharge Check Valve</li> <li>Receiver Heat and Insulation</li> <li>Suction Line Insulation</li> <li>Breaker Instead of Fuses</li> <li>Heavy Duty Base with Horizontal Receiver</li> <li>Non-Fused Disconnect</li> <li>Replaceable Core Drier</li> <li>Hall Guard</li> </ul>

SUCTION FILTER			SUCTION ACCUMULATOR		OIL SEPARATOR		LIQUID LINE SOLENOID VALVE (SHIP LOOSE)	
SUCTION CONNECTION SIZE (INCHES)	STD SEALED AND NON-REPLACEABLE LIST PRICE	SPORLAND STEEL REPLACEABLE CORE LIST PRICE	SUCTION CONNECTION SIZE (INCHES)	LIST PRICE	DISCHARGE CONNECTION SIZE (INCHES)	LIST PRICE	LIQUID CONNECTION SIZE (INCHES)	LIST PRICE
5/8	\$60	\$250	5/8	\$150	1/2 (S)	\$680	1/2	\$180
7/8	\$50	\$200	7/8	\$120	5/8 (M)	\$690	5/8	\$220
1-1/8	\$50	\$200	1-1/8	\$240	7/8 (L)	\$730	7/8	\$260
1-3/8	\$80	\$210	1-3/8	\$320	1-1/8 (XL)	\$910		
1-5/8	\$80	\$220	1-5/8	\$420	1-3/8 (XXL)	\$1,020		
2-1/8	\$190	\$240	2-1/8	\$860				

DEFROST			
DEFROST KITS	RANGE	VOLTAGE	LIST PRICE
NO DEFROST CLOCK	NOT APPLICABLE	NOT APPLICABLE	-\$130
DEFROST CLOCK	NOT APPLICABLE	208-230V OR 480V	INCLUDED
ELECTRIC DEFROST KIT- E2	1 OR 3 PHASE WITH A MAX OF (1) CONTACTOR BETWEEN FAN MOTOR OR HEATER WITH A MAX OF 48A	208-230V OR 480V	\$180
ELECTRIC DEFROST KIT- E3	1 OR 3 PHASE WITH A MAX OF (2) CONTACTORS BETWEEN FAN MOTORS AND HEATERS WITH A MAX OF 48A	208-230V OR 480V	\$420
ELECTRIC DEFROST KIT- E4	1 OR 3 PHASE WITH A MAX OF (3) CONTACTORS BETWEEN FAN MOTORS AND HEATERS WITH A MAX OF 48A	208-230V OR 480V	\$660
ELECTRIC DEFROST KIT- E5	1 OR 3 PHASE WITH A MAX OF (4) CONTACTORS BETWEEN FAN MOTORS AND HEATERS WITH A MAX OF 48A	208-230V OR 480V	\$900
ELECTRIC DEFROST KIT- E6	1 OR 3 PHASE WITH A MAX OF (5) CONTACTORS BETWEEN FAN MOTORS AND HEATERS WITH A MAX OF 48A	208-230V OR 480V	\$1,140
ELECTRIC DEFROST KIT- E7	1 OR 3 PHASE WITH A MAX OF (6) CONTACTORS BETWEEN FAN MOTORS AND HEATERS WITH A MAX OF 48A	208-230V OR 480V	\$1,210
ELECTRIC DEFROST KIT- E8	1 OR 3 PHASE WITH A MAX OF (7) CONTACTORS BETWEEN FAN MOTORS AND HEATERS WITH A MAX OF 48A (WITH SUB PROTECTION ONLY)	208-230V OR 480V	\$900
NOTE 1:	MUST SPECIFY EVAPORATOR MOTOR AND HEATER VOLTAGE AND AMPERAGE ON ORDERS		
NOTE 2:	DEDUCT DEFROST CLOCK FROM STANDARD UNITS BEFORE ADDING ELECTRIC DEFROST KITS (- \$130)		
NOTES:	MAX CONFIGURATION WITHOUT SUBPROTECTION : (4) HEATERS <=48A AND (2) FAN LOADS <=48A (CONTACTED ENGINEERING FOR SUBPROTECTION OR VIEW CPQ SOFTWARE)		
NOTE 4:	THE ELECTRIC DEFROST 'CATALOG' LIST PRICE IS BASED ON THE # OF CONTACTORS, FAN AND MOTOR AMPERAGE RANGE AT ITS MAX OF 48A. SEE CPQ SOFTWARE FOR ACTUAL LIST PRICE.		

RECEIVER							
SIZE	Dimensions	CAPACITY (LBS @ 90%)			RECEIVER SIZE UPGRADE LIST PRICE (NOTE 5 AND 4)	CABINET SIZE	HEATED AND INSULATED RECEIVER LIST PRICE
		R-404A / R-507A	R-407A / R-407F	R-448A / R-449A			
A	6 X 12	11.1	12.2	11.6	(NOTE 1)	SMALL	NOT AVAILABLE
B	6 X 18	16.7	18.3	17.4	\$10 (B TO C)	SMALL	\$140
C	6 X 23	21.4	23.4	22.3	\$40 (C TO D)	MEDIUM	\$140
D	6 X 30	27.9	30.4	29.0	\$380 (D TO E)	MEDIUM	\$280
E	8-5/8 X 30	53.9	59.0	56.2	\$300 (E TO F)	LARGE	\$280
F	10-3/4 X 30	82.3	90.0	85.8	\$690 (F TO H)	LARGE	\$280
H	12-3/4 X 30	100.1	109.4	104.3	(NOTE 2)	LARGE	\$420
NOTE 1:	RECEIVER 'A' NOT AVAILABLE FOR HE H-SERIES						
NOTE 2:	NO UPGRADE FOR A SIZE 'H' RECEIVER						
NOTE 3:	TO FIND THE COST OF THE RECEIVER UPGRADE, YOU MUST ADD THE COST TO THE BASE PRICE						
NOTE 4:	TO UPGRADE THE RECEIVER MORE THAN ONE SIZE, THE COST FOR EACH SIZE MUST BE ADDED TO THE BASE PRICE FOR EXAMPLE - GOING FROM SIZE B TO D IS (\$10 + \$40) = \$50						
NOTE 5:	RECEIVERS CAN BE RESTRICTED BY CABINET SIZE (CONTACT ENGINEERING OR REFER TO CPQ SOFTWARE FOR FURTHER DETAILS)						

FUUSED DISCONNECT (LOOSE)	
AMP / POLES / VOLTAGES	LIST PRICE
30A / 3P / 240V	\$410
60A / 3P / 240V	\$610
100A / 3P / 240V	\$890
200A / 3P / 240V	\$1,600
30A / 3P / 600V	\$610
60A / 3P / 600V	\$710
100A / 3P / 600V	\$1,130
200A / 3P / 600V	\$1,600

PHASE LOSS MONITOR	
VOLTAGE	LIST PRICE
208 - 480V	\$230
575V	\$230

CONDENSING UNIT CRATING KIT OPTIONS		
PLATFORM	PLASTIC / SKIT PRICE (STANDARD)	WOOD FRAME / CRATE PRICE
SMALL	INCLUDED	\$420
MEDIUM	INCLUDED	\$850
LARGE	INCLUDED	\$1,270
X-LARGE	INCLUDED	\$1,480

HE H-SERIES HURRICANE-RATED KITS (HIGH WIND KITS)		
CABINET	KIT #	LIST PRICE
SMALL	HHOUSESDHW	\$1,620
MEDIUM	HHOUSEMDHW	\$2,010
LARGE	HHOUSELDHW	\$2,220
X-LARGE	HHOUSEXHDHW	\$2,900

CONDENSER COIL				
FAN CYCLING				CONDENSER PROTECTION
COND SIZE	# OF STAGES	LIST PRICE	ELECTROFIN	PROTECTION
A	NA	NA	\$420	
B	NA	NA	\$620	
D	1	INCLUDED	\$770	
F	1	INCLUDED	\$1,250	
F	2	\$260	\$1,250	
J	1	INCLUDED	\$2,070	
J	2	\$270	\$2,070	
J	3	\$530	\$2,070	

FRAME SIZE	STANDARD DUTY FRAME		HEAVY DUTY FRAME PRICE ADDER	
	INDOOR	OUTDOOR	INDOOR	OUTDOOR
SMALL	INCLUDED	INCLUDED	\$50	\$200
MEDIUM	INCLUDED	INCLUDED	\$40	\$110
LARGE	INCLUDED	INCLUDED	\$210	\$320
EXTRA LARGE	INCLUDED	INCLUDED	-\$160	\$40



DIGITAL COMPRESSOR NOMENCLATURE



**SERIES**

**UNIT TYPE:**

- E - Indoor, High Efficiency
- D - Outdoor, High Efficiency

**BASE:**

- S - Standard
- H - Heavy-Duty

**COMPRESSOR TYPE:**

- R - Bitzer with Digital Modulation - Motor 1
- T - Bitzer with Digital Modulation - Motor 2
- C - Digital Scrolls
- U - Digital Discus

**COMPRESSOR HORSEPOWER:**

- 005 - 0.5 HP
- 030 - 3.0 HP
- 100 - 10.0 HP

**ALTERNATIVE:**

- 0 - Basic
- 1 through 9 - Alternative

**APPLICATION (TEMPERATURE RANGE):**

- M - Medium
- L - Low

**DOE:**

- D - DOE / NRCan Compliant
- A - Non-Regulated Applications

**RECEIVER SIZE:**

- B - 6" x 18"
- C - 6" x 23"
- D - 6" x 30"
- E - 8.625" x 30"
- F - 10.75" x 30"
- G - 10.75" x 38"  
(Horizontal only, HD base only)
- H - 12.75" x 30"  
(Vertical only, Standard base only)
- X - No Receiver

**AIR CONDENSER:**

- A - 20 x 32, 3 Row, 1 Fan
- B - 37.5 x 36, 3 Row, 1 Fan
- C - 37.5 x 36, 3 Row, 2 Fan
- D - 37.5 x 36, 4 Row, 2 Fan
- E - 37.5 x 72, 3 Row, 4 Fan
- F - 37.5 x 72, 34 Row, 4 Fan
- H - (2 x) (D Condenser)
- J - 50 x 87, 4 Row, 6 Fan
- K - 37.5 x 42.5, 6 Row, 4 Fan
- X - None

**VOLTAGE DESIGNATION:**

- K - 208-230 V/3 PH/60 HZ
- M - 460 V/3 PH/60 HZ

**REFRIGERANT:**

- S - R-404A
- P - R-507A
- Q - R-407A
- F - R-407F
- T - R-448A
- R - R-449A



HIGH EFFICIENCY H-SERIES WITH CAPACITY MODULATION PRICING SHEET

STEP 1 - FIND UNIT TO UPGRADE							STEP 2			Updated Extended Warranty	
TYPE	UPGRADABLE H-SERIES MODEL #	UPGRADE TO	CAPACITY MODULATED H-SERIES MODEL #	CAPACITY MODULATED COMPRESSOR MODEL #	HP	APPLICATION TEMPERATURE	UPGRADE PRICE ADDER 208V/3	UPGRADE PRICE ADDER 460V/3	4 YEAR EXTENDED COMPRESSOR WARRANTY		
COPELAND DIGITAL RECIPROCATING COMPRESSOR (DISCUS-U)	HDSU-0601L##BC-D	→	HDSU-0601L##BC-D	3DADF28KL	5	LOW	\$4,620	\$4,867	\$10,450	\$2,830	
	HDSU-0601L##DE-D	→	HDSU-0601L##DE-D	3DADF28KL	5	LOW	\$4,498	\$5,028	\$10,450	\$2,830	
	HDSU-0750L##DE-D	→	HDSU-0750L##DE-D	3DBDF33KL	5 1/2	LOW	\$4,814	\$5,357	\$10,610	\$2,880	
	HDSU-0750L##FF-D	→	HDSU-0750L##FF-D	3DBDF33KL	5 1/2	LOW	\$5,938	\$6,878	\$10,610	\$2,880	
	HDSU-0900L##FF-D	→	HDSU-0900L##FF-D	3DFDF40KL	6	LOW	\$5,841	\$6,780	\$10,970	\$3,000	
	HDSU-0900L##JH-D	→	HDSU-0900L##JH-D	3DFDF40KL	6	LOW	\$6,849	\$8,397	\$10,970	\$3,000	
	HDSU-1000L##FF-D	→	HDSU-1000L##FF-D	3DSDF46KL	7	LOW	\$5,785	\$6,784	\$12,170	\$3,380	
	HDSU-1000L##JH-D	→	HDSU-1000L##JH-D	3DSDF46KL	7	LOW	\$6,793	\$8,401	\$12,170	\$3,380	
	HDSU-1500L##JH-A	→	HDSU-1500L##JH-A	4DHXF63KL	10	LOW	\$7,781	\$9,357	\$14,480	\$4,130	
	HDSU-2200L##FF-A	→	HDSU-2200L##FF-A	4DJXF76KL	12 1/2	LOW	\$7,482	\$8,557	\$15,100	\$4,330	
	HDSU-2200L##JH-A	→	HDSU-2200L##JH-A	4DJXF76KL	12 1/2	LOW	\$8,490	\$10,174	\$15,100	\$4,330	
	HDSU-0752M##FF-D	→	HDSU-0752M##FF-D	3DADR10ML	7 1/2	MEDIUM	\$6,312	\$7,311	\$10,300	\$2,780	
	HDSU-0752M##JH-D	→	HDSU-0752M##JH-D	3DADR10ML	7 1/2	MEDIUM	\$7,320	\$8,928	\$10,300	\$2,780	
	HDSU-1000M##FF-D	→	HDSU-1000M##FF-D	3DBDR12ML	10	MEDIUM	\$6,188	\$7,177	\$11,010	\$3,010	
	HDSU-1000M##JH-D	→	HDSU-1000M##JH-D	3DBDR12ML	10	MEDIUM	\$7,196	\$8,804	\$11,010	\$3,010	
HDSU-1200M##JH-D	→	HDSU-1200M##JH-D	3DFDR15ML	10	MEDIUM	\$8,633	\$10,189	\$11,500	\$3,170		
HDSU-1500M##JH-D	→	HDSU-1500M##JH-D	3DSDR17ML	15	MEDIUM	\$9,129	\$10,679	\$11,970	\$3,320		
Copeland Digital Scroll (Scroll-C)	HDSU-0300MT#BC-D	→	HDSU-0300MT#BC-D	ZBD21KCE	3	MEDIUM	\$6,979	\$7,157	\$5,810	\$1,760	
	HDSU-0300MT#DE-D	→	HDSU-0300MT#DE-D	ZBD21KCE	3	MEDIUM	\$6,857	\$7,327	\$5,810	\$1,760	
	HDSU-0400MT#BC-D	→	HDSU-0400MT#BC-D	ZBD30KCE	4	MEDIUM	\$7,019	\$7,276	\$5,980	\$1,920	
	HDSU-0400MT#DE-D	→	HDSU-0400MT#DE-D	ZBD30KCE	4	MEDIUM	\$6,897	\$7,436	\$5,980	\$1,920	
	HDSU-0500MT#DE-D	→	HDSU-0500MT#DE-D	ZBD38KCE	5	MEDIUM	\$7,200	\$7,739	\$6,270	\$1,920	
	HDSU-0500MT#FF-D	→	HDSU-0500MT#FF-D	ZBD38KCE	5	MEDIUM	\$8,352	\$9,289	\$6,270	\$1,920	
	HDSU-0601MT#DE-D	→	HDSU-0601MT#DE-D	ZBD45KCE	6	MEDIUM	NOTE 8	NOTE 8	\$6,450	\$2,100	
	HDSU-0601MT#FF-D	→	HDSU-0601MT#FF-D	ZBD45KCE	6	MEDIUM	NOTE 8	NOTE 8	\$6,450	\$2,100	
	HDSU-0751MT#FF-D	→	HDSU-0751MT#FF-D	ZBD57KCE	7 1/2	MEDIUM	NOTE 8	NOTE 8	\$6,910	\$2,150	
	HDSU-0751MT#JH-D	→	HDSU-0751MT#JH-D	ZBD57KCE	7 1/2	MEDIUM	NOTE 8	NOTE 8	\$6,910	\$2,150	
	HDSU-1000MT#FF-D	→	HDSU-1000MT#FF-D	ZBD76K5E	10	MEDIUM	\$6,181	\$7,170	\$7,860	\$2,660	
	HDSU-1000MT#JH-D	→	HDSU-1000MT#JH-D	ZBD76K5E	10	MEDIUM	\$7,189	\$8,797	\$7,860	\$2,660	
	HDSU-1500MT#JH-D	→	HDSU-1500MT#JH-D	ZBD114K5E	15	MEDIUM	\$8,394	\$10,114	\$9,010	\$3,070	
	BITZER RECIPROCATING CMRC-R (MOTOR 1)	HDSE-0400M##FF-D	→	HDSE-0400M##FF-D	4FES-5-2DU	4	MEDIUM	\$8,148	\$9,088	\$7,590	\$2,100
		HDSE-0400M##JH-D	→	HDSE-0400M##JH-D	4FES-5-2DU	4	MEDIUM	\$9,156	\$10,705	\$7,590	\$2,100
HDSE-0500M##FF-D		→	HDSE-0500M##FF-D	4EES-6-2DU	5	MEDIUM	\$8,166	\$9,099	\$7,720	\$2,140	
HDSE-0500M##JH-D		→	HDSE-0500M##JH-D	4EES-6-2DU	5	MEDIUM	\$9,164	\$10,726	\$7,720	\$2,140	
HDSE-0600M##FF-D		→	HDSE-0600M##FF-D	4DES-7-2DU	6	MEDIUM	\$8,632	\$9,561	\$8,540	\$2,410	
HDSE-0600M##JH-D		→	HDSE-0600M##JH-D	4DES-7-2DU	6	MEDIUM	\$9,630	\$11,188	\$8,540	\$2,410	
HDSE-0650M##FF-D		→	HDSE-0650M##FF-D	4CES-9-2DU	6 1/2	MEDIUM	NOTE 8	NOTE 8	\$9,790	\$2,820	
HDSE-0650M##JH-D		→	HDSE-0650M##JH-D	4CES-9-2DU	6 1/2	MEDIUM	NOTE 8	NOTE 8	\$9,790	\$2,820	
HDSE-0700M##FF-D		→	HDSE-0700M##FF-D	4VES-10-2NU	7	MEDIUM	\$8,839	\$9,776	\$10,080	\$2,920	
HDSE-0700M##JH-D		→	HDSE-0700M##JH-D	4VES-10-2NU	7	MEDIUM	\$9,847	\$11,403	\$10,080	\$2,920	
HDSE-0900M##FF-D		→	HDSE-0900M##FF-D	4TES-12-2NU	9	MEDIUM	\$9,764	\$10,701	\$10,140	\$3,190	
HDSE-0900M##JH-D		→	HDSE-0900M##JH-D	4TES-12-2NU	9	MEDIUM	\$10,772	\$12,328	\$10,140	\$3,190	
HDSE-1000M##JH-D		→	HDSE-1000M##JH-D	4PES-15-2NU	10	MEDIUM	\$10,254	\$11,804	\$10,370	\$3,010	
BITZER RECIPROCATING CMRC-T (MOTOR 2)		HDSB-0400L##BC-D	→	HDSB-0400L##BC-D	4FES-3-2DU	4	LOW	\$7,289	\$7,899	\$7,440	\$2,140
		HDSB-0400L##DE-D	→	HDSB-0400L##DE-D	4FES-3-2DU	4	LOW	\$7,167	\$8,059	\$7,440	\$2,140
	HDSB-0500L##BC-D	→	HDSB-0500L##BC-D	4EES-4-2DU	5	LOW	\$7,670	\$8,291	\$7,940	\$2,310	
	HDSB-0500L##DE-D	→	HDSB-0500L##DE-D	4EES-4-2DU	5	LOW	\$7,548	\$8,461	\$7,940	\$2,310	
	HDSB-0600L##BC-D	→	HDSB-0600L##BC-D	4DES-5-2DU	6	LOW	\$7,715	\$8,525	\$8,360	\$2,550	
	HDSB-0600L##DE-D	→	HDSB-0600L##DE-D	4DES-5-2DU	6	LOW	\$7,593	\$8,685	\$8,360	\$2,550	
	HDSB-0650L##DE-D	→	HDSB-0650L##DE-D	4CES-6-2DU	6 1/2	LOW	\$7,812	\$8,748	\$9,590	\$2,890	
	HDSB-0700L##BC-D	→	HDSB-0700L##BC-D	4VES-7-2NU	7	LOW	\$7,715	\$8,525	\$9,860	\$2,980	
	HDSB-0700L##DE-D	→	HDSB-0700L##DE-D	4VES-7-2NU	7	LOW	\$7,593	\$8,685	\$9,860	\$2,980	
	HDSB-0900L##BC-D	→	HDSB-0900L##BC-D	4TES-9-2NU	9	LOW	\$9,046	\$10,896	\$9,920	\$3,000	
	HDSB-0900L##DE-D	→	HDSB-0900L##DE-D	4TES-9-2NU	9	LOW	\$8,924	\$8,876	\$9,920	\$3,000	
	HDSB-1000L##DE-D	→	HDSB-1000L##DE-D	4PES-12-2NU	10	LOW	\$7,726	\$8,795	\$10,040	\$3,040	
	HDSB-1200L##FF-D	→	HDSB-1200L##FF-D	4NES-14-2NU	12	LOW	\$9,389	\$10,925	\$11,170	\$3,430	
	HDSB-1200L##JH-D	→	HDSB-1200L##JH-D	4NES-14-2NU	12	LOW	\$10,397	\$12,542	\$11,170	\$3,430	
	HDSB-1400L##FF-D	→	HDSB-1400L##FF-D	4JE-15-2NU	14	LOW	\$11,060	\$12,737	\$12,350	\$3,860	
	HDSB-1400L##JH-D	→	HDSB-1400L##JH-D	4JE-15-2NU	14	LOW	\$12,068	\$14,354	\$12,350	\$3,860	
	HDSB-1600L##FF-D	→	HDSB-1600L##FF-D	4HE-18-2NU	16	LOW	\$12,056	\$13,116	\$13,070	\$4,120	
	HDSB-1600L##JH-D	→	HDSB-1600L##JH-D	4HE-18-2NU	16	LOW	\$13,014	\$14,693	\$13,070	\$4,120	
NOTES	1	ALL PRICING ADDERS ARE ESTIMATIONS AND ARE SUBJECT TO CHANGE. FOR MORE ACCURATE PRICING CONTACT AN APPLICATION ENGINEER, SALES OR USE CPQ QUOTING SOFTWARE.									
	2	BASE PRICING CAN BE FOUND IN THE KRACK PRICING TABLES									
	3	FOR OTHER OPTIONS AND CONFIGURATIONS, CONTACT AN APPLICATION OR SALES ENGINEER									
	4	DISCUS AND BITZERS COMPRESSORS ARE NOT COMPATIBLE WITH THE DIESEL CONTROLLER									
	5	THE ABOVE COST IS ESTIMATED FROM THE FOLLOWING CONDITIONS, LOW TEMP EVAP -20°F @ 95°F AMB @ R448A & MED TEMP EVAP 20°F @ 95°F AMB @ 448A									
	6	IF A GLIDED REFRIGERANT AT LOW TEMPERATURE APPLICATION IS CHOSEN, THE PRICING WILL BE HIGHER THAN IF A NONEGLIDED REFRIGERANT IS CHOSEN. THIS IS TO ACCOUNT FOR THE DEMAND COOLING.									
	7	THE PRICE ADDER ENCAPSULATED THE COST TO CONVERT A NORMAL H-SERIES TO A CAPACITY MODULATED H-SERIES WITH MAY INCLUDE BUT IS NOT LIMITED TO THE FOLLOWING COMPONENTS. UPGRADED COMPRESSOR, OIL SEPARATOR, OIL REGULATOR, VARIABLE FREQUENCY MOTORS FOR CONDENSER, DEMAND COOLING AND VIBRATION ELIMINATORS.									
	8	FOR PRICING CONTACT AN APPLICATION ENGINEER, SALES OR USE CPQ QUOTING SOFTWARE									



**HIGH EFFICIENCY H-SERIES WITH CAPACITY MODULATION PRICING SHEET *continued***

STEP 3 - CONTROLLER PRICE ADDER		
CoreLink COST ADDER	Dixell COST ADDER (NOTE 1)	KE2 COST ADDER
\$4,945	\$4,361	\$6,128

DIRECTIONS
<p><b>STEP 1- FIND UNIT TO UPGRADE</b> NOT ALL UNITS ARE UPGRADABLE SO YOU MUST CHOOSE A UNIT TO UPGRADE FROM THE "UPGRADABLE H-SERIES MODEL #" COLUMN.</p> <p><b>STEP 2 - ADD UPGRADE PRICE ADDER</b> THERE IS A PRICE ASSOCIATED WITH UPGRADING THE H-SERIES TO HAVE CAPACITY MODULATION CAPABILITY. YOU MUST ADD THE "UPGRADE PRICE ADDER" TO THE BASE PRICE OF YOUR H-SERIES UNIT.</p> <p><b>STEP 3 - CONTROLLER PRICE ADDER</b> NOW YOU MUST PICK A CONTROLLER AND ADD THE CORRESPONDING "CONTROLLER PRICE ADDER" TO THE BASE PRICE.</p>

DIRECTIONS - EXAMPLE
<p>LET'S UPGRADE <b>HDSB-0400LTKBC-D</b> TO HAVE CAPACITY MODULATION. THE UNIT IS A 208 VOLT, 3 PHASE. THIS INFORMATION CAN BE OBTAINED FROM THE 11TH CHARACTER IN THE MODEL NUMBER "K". FOR MORE INFORMATION ON HOW THE NOMENCLATURE OF A H-SERIES WORKS, SEE THE TECHNICAL BULLETIN ON THE KRACK WEBSITE OR THERE IS A NOMENCLATURE DIAGRAM AT THE BEGINNING OF THE H-SERIES PRICING.</p> <p><b>THE BASE PRICE OF THIS UNIT IS \$12,460 (FROM KRACK PRICE LIST)</b></p> <p><b>STEP 1 -</b> LOOK AT THE "UPGRADABLE H-SERIES MODEL #" AND FIND THE MODEL NUMBER WHERE THE FIRST 9 AND LAST 3 NUMBERS MATCH, WHICH WOULD BE <b>HDSB-0400L##BC-D</b>. THE UPGRADED UNIT MODEL NUMBER IS JUST TO THE RIGHT (FOLLOW THE ARROW) <b>HDST-0400L##BC-D</b>. REPLACING THE "#" SYMBOLS WITH THE CORRESPONDING VALUES, IN THIS CASE "TK" WILL GET YOU THE CAPACITY MODULATED H-SERIES CONDENSING UNIT MODEL NUMBER, IN THIS CASE <b>HDST-0400LTKBC-D</b>.</p> <p><b>STEP 2 -</b> ADD UPGRADE PRICE ADDER, THEN ADD THE CORRESPONDING "UPGRADE COST ADDER" = \$12,460 + \$7,289 = \$19,749</p> <p><b>STEP 3 -</b> CONTROLLER PRICE ADDER; PICK A CONTROLLER THEN ADD THE PRICE KE2 = \$6,128 PRICE; THEREFORE \$19,749 + \$6,128 = \$25,877</p> <p><b>ESTIMATED FINAL PRICE WOULD BE:</b> HDST-0400LTKBC-D WITH KE2 = \$25,877</p>

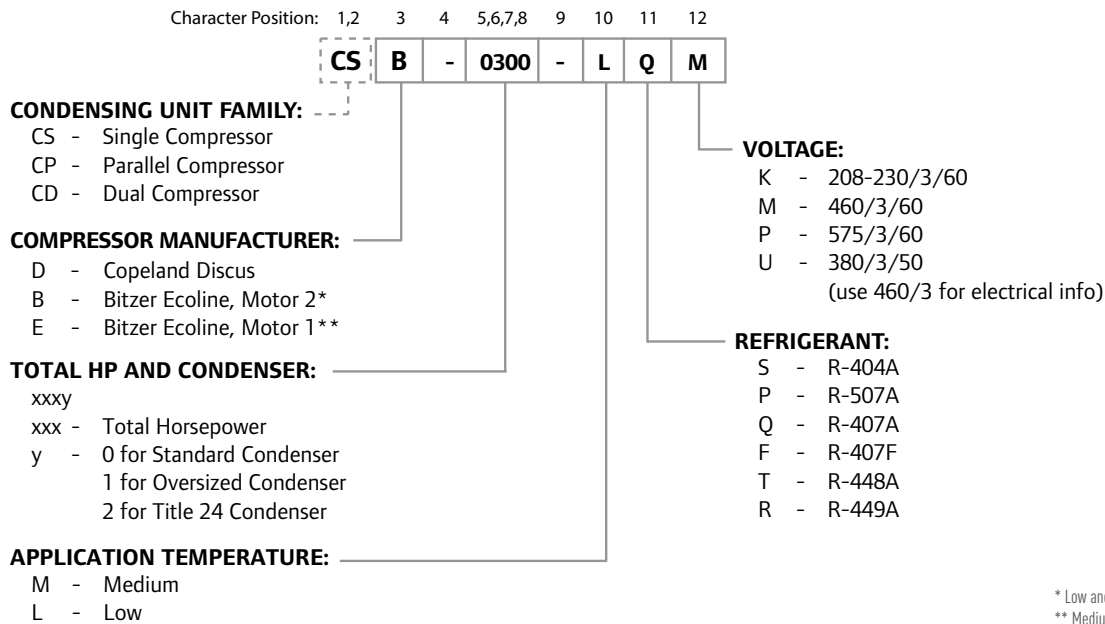




# LARGE AIR-COOLED CONDENSING UNIT PRODUCT DESCRIPTION

Version: September 2023

## LARGE AIR-COOLED CONDENSING UNIT CONTROL PANEL NOMENCLATURE



### STANDARD FEATURES

- Replaceable Core Liquid Line Filter Drier and Sight Glass
- Encapsulated High Pressure Cutout
- CoreSense Electronic Oil Pressure Control for Discus Compressors
- Adjustable Low Pressure Control
- 230 V Control Circuit (with Transformer as Required)
- Adjustable Low Ambient Head Pressure Control Valve
- Oversized Condenser (Models Pre-Engineered)
- Suction Accumulator Standard on Low Temperature Models
- 1.5 HP, 1140 RPM Fan Motors

### OPTIONAL FEATURES

- Pressure Fan Cycling
- Sealed Suction Filter
- Replaceable Core Suction Filter
- 115 V Control Voltage with Transformer
- Oil Separator System (to Activate Flow of Oil and Required for Room Temperatures -10° F and Below)
- Suction Accumulator (Medium / High Temperature). Recommended for Multiple Evaporators and Variable Load Applications.
- Heated and Insulated Receiver
- Mounted Non-Fused Disconnect with Interlock
- Electric Defrost Control Options including Defrost Time Clock, Evaporator Fan Motor, and Defrost Heater Contactors
- Air Defrost Timer
- Shipped Loose Fused Disconnect (Fuses Not Included)
- Cylinder Unloading for Compressors (Where Available)
- Inverter Duty Suitable Fan Motors for 'K' and 'M' Voltages (Requires Power Block for VFD Option)
- Alternate Fin Materials (i.e., Vinyl and Copper for Adverse Environmental Conditions)
- Condenser Access / Clean Out Doors
- Hurricane-Rated Kits

Page 96

Prices, product availability, and specifications are subject to change without notice.



# LARGE AIR-COOLED CONDENSING UNIT PRODUCT DESCRIPTION

Version: September 2023

## CSD - SINGLE COMPRESSOR MODELS WITH COPELAND DISCUS COMPRESSORS

### SINGLE COMPRESSOR UNITS WITH ONE REFRIGERANT and ELECTRICAL CIRCUIT

STANDARD CONDENSER	COMPRESSOR MODEL	95° F AMBIENT CAPACITY (MBH)		BASE UNIT LIST PRICE			SUCTION FILTER		OPTIONS				4 YEAR EXTENDED COMPRESSOR WARRANTY	UNIT SIZE	DIMENSIONS (IN)			SHIP WGT (LBS)
		@ +25° F Evap	@ -20° F Evap	230V (K)	460V (M)	575V (P)	SEALED	REPLACEABLE CORE	SUCTION ACCUMULATOR	OIL SEPARATOR	PRESSURE FAN CYCLING	HEATED AND INSULATED RECEIVER			L	W	H	
CSD-0100MS	3DB3R12ME	107.5	-	\$22,290	\$22,870	\$23,350	\$1,100	\$1,670	\$1,810	\$3,270	N/A	\$2,090	\$3,120	A	92.00	45.25	51.50	1,564
CSD-0150MS	3DS3R17ME	144.4	-	\$24,800	\$25,480	\$26,040	\$1,100	\$1,670	\$1,810	\$3,270	\$1,080	\$2,090	\$3,120	B	146.00	45.25	51.50	1,834
CSD-0200MS	4DBNR20ME	173.7	-	\$28,010	\$28,930	\$29,540	\$1,100	\$1,670	\$1,810	\$3,270	\$1,080	\$2,090	\$5,190	B	146.00	45.25	51.50	1,882
CSD-0250MS	4DHNR22ME	193.5	-	\$34,040	\$33,810	\$35,730	\$1,100	\$1,670	\$1,810	\$3,270	\$1,080	\$2,220	\$5,790	B	146.00	45.25	51.50	2,002
CSD-0300MS	4DJNR28ME	229.8	-	\$42,170	\$43,180	\$44,080	\$1,100	\$1,670	\$1,810	\$3,270	\$1,080	\$2,280	\$6,600	B	146.00	45.25	51.50	2,106
CSD-0350MS	6DHNR35ME	280.1	-	\$48,020	\$49,080	\$50,130	\$1,100	\$1,670	\$1,810	\$3,350	\$1,720	\$2,350	\$6,670	C	200.00	45.25	51.50	2,511
CSD-0400MS*	6DJNR40ME	340.6	-	\$52,510	\$53,610	\$54,760	\$1,100	\$1,670	\$2,330	\$3,350	\$1,720	\$2,350	\$7,400	C	200.00	45.25	51.50	2,820
CSD-0150LQ*	4DHNF63KE	-	64.7	\$33,780	\$34,670	\$35,400	\$1,100	\$1,670	INCLUDED	\$3,270	N/A	\$2,090	\$4,530	A	92.00	45.25	51.50	1,639
CSD-0220LQ	4DJNF76KE	-	78.5	\$37,120	\$38,160	\$38,970	\$1,100	\$1,670	INCLUDED	\$3,350	\$1,080	\$2,090	\$4,530	B	146.00	45.25	51.50	1,885
CSD-0270LQ	6DHNF93KE	-	96.0	\$43,320	\$43,190	\$44,110	\$1,100	\$1,670	INCLUDED	\$3,350	\$1,080	\$2,090	\$5,790	B	146.00	45.25	51.50	2,044
CSD-0300LQ	6DJNF11ME	-	115.5	\$47,900	\$48,300	\$49,320	\$1,100	\$1,670	INCLUDED	\$3,350	\$1,080	\$2,090	\$6,600	B	146.00	45.25	51.50	2,069
CSD-0150LS*	4DHNF63KE	-	71.1	\$32,310	\$32,450	\$33,120	\$1,100	\$1,670	INCLUDED	\$3,270	N/A	\$2,090	\$4,530	A	92.00	45.25	51.50	1,639
CSD-0220LS	4DJNF76KE	-	86.3	\$35,680	\$35,750	\$36,520	\$1,100	\$1,670	INCLUDED	\$3,350	\$1,080	\$2,090	\$4,530	B	146.00	45.25	51.50	1,890
CSD-0270LS	6DHNF93KE	-	107.9	\$41,530	\$41,670	\$42,560	\$1,100	\$1,670	INCLUDED	\$3,350	\$1,080	\$2,220	\$5,790	B	146.00	45.25	51.50	2,056
CSD-0300LS	6DJNF11ME	-	120.3	\$46,030	\$47,030	\$48,010	\$1,100	\$1,670	INCLUDED	\$3,350	\$1,080	\$2,220	\$6,600	B	146.00	45.25	51.50	2,170

OVERSIZED CONDENSER	COMPRESSOR MODEL	95° F AMBIENT CAPACITY (MBH)		BASE UNIT LIST PRICE			SUCTION FILTER		OPTIONS				4 YEAR EXTENDED COMPRESSOR WARRANTY	UNIT SIZE	DIMENSIONS (IN)			SHIP WGT (LBS)
		@ +25° F Evap	@ -20° F Evap	230V (K)	460V (M)	575V (P)	SEALED	REPLACEABLE CORE	SUCTION ACCUMULATOR	OIL SEPARATOR	PRESSURE FAN CYCLING	HEATED AND INSULATED RECEIVER			L	W	H	
CSD-0101MS	3DB3R12ME	111.0	-	\$25,500	\$26,110	\$26,680	\$1,100	\$1,670	\$1,810	\$3,270	\$1,080	\$2,090	\$3,120	B	146.00	45.25	51.50	1,845
CSD-0151MS	3DS3R17ME	148.7	-	\$26,610	\$27,300	\$27,890	\$1,100	\$1,670	\$1,810	\$3,270	\$1,080	\$2,220	\$3,120	B	146.00	45.25	51.50	1,930
CSD-0201MS	4DBNR20ME	180.3	-	\$29,820	\$30,740	\$31,400	\$1,100	\$1,670	\$1,810	\$3,270	\$1,080	\$2,220	\$5,190	B	146.00	45.25	51.50	1,979
CSD-0251MS	4DHNR22ME	203.8	-	\$38,510	\$39,440	\$40,310	\$1,100	\$1,670	\$1,810	\$3,270	\$1,720	\$2,280	\$5,790	C	200.00	45.25	51.50	2,511
CSD-0301MS	4DJNR28ME	239.7	-	\$44,840	\$45,850	\$46,830	\$1,100	\$1,670	\$1,810	\$3,270	\$1,720	\$2,350	\$6,600	C	200.00	45.25	51.50	2,584
CSD-0351MS	6DHNR35ME	304.5	-	\$56,160	\$57,210	\$58,430	\$1,100	\$1,670	\$1,810	\$3,350	\$1,080	\$2,350	\$6,670	D	146.00	90.50	51.50	3,099
CSD-0401MS	6DJNR40ME	354.2	-	\$57,520	\$58,650	\$59,880	\$1,100	\$1,670	\$2,330	\$3,350	\$1,080	\$2,450	\$7,400	D	146.00	90.50	51.50	3,380
CSD-0151LQ	4DHNF63KE	-	65.8	\$35,310	\$36,230	\$37,000	\$1,100	\$1,670	INCLUDED	\$3,270	\$1,080	\$2,090	\$4,530	B	146.00	45.25	51.50	1,934
CSD-0221LQ	4DJNF76KE	-	80.4	\$38,930	\$39,970	\$40,800	\$1,100	\$1,670	INCLUDED	\$3,350	\$1,080	\$2,090	\$4,530	B	146.00	45.25	51.50	1,947
CSD-0271LQ	6DHNF93KE	-	97.4	\$45,080	\$44,950	\$45,900	\$1,100	\$1,670	INCLUDED	\$3,350	\$1,720	\$2,090	\$5,790	C	200.00	45.25	51.50	2,427
CSD-0301LQ	6DJNF11ME	-	117.2	\$52,380	\$52,760	\$53,900	\$1,100	\$1,670	INCLUDED	\$3,350	\$1,720	\$2,220	\$6,600	C	200.00	45.25	51.50	2,580
CSD-0151LS	4DHNF63KE	-	73.1	\$33,870	\$33,980	\$34,700	\$1,100	\$1,670	INCLUDED	\$3,270	\$1,080	\$2,090	\$4,530	B	146.00	45.25	51.50	1,934
CSD-0221LS	4DJNF76KE	-	88.3	\$37,490	\$37,560	\$38,370	\$1,100	\$1,670	INCLUDED	\$3,350	\$1,080	\$2,220	\$4,530	B	146.00	45.25	51.50	1,987
CSD-0271LS	6DHNF93KE	-	109.4	\$43,300	\$43,420	\$44,350	\$1,100	\$1,670	INCLUDED	\$3,350	\$1,720	\$2,220	\$5,790	C	200.00	45.25	51.50	2,439
CSD-0301LS	6DJNF11ME	-	123.4	\$48,690	\$49,690	\$50,730	\$1,100	\$1,670	INCLUDED	\$3,350	\$1,720	\$2,220	\$6,600	C	200.00	45.25	51.50	2,617

STANDARD CONDENSER	COMPRESSOR MODEL	95° F AMBIENT CAPACITY (MBH)		BASE UNIT LIST PRICE			SUCTION FILTER		OPTIONS				4 YEAR EXTENDED COMPRESSOR WARRANTY	UNIT SIZE	DIMENSIONS (IN)			SHIP WGT (LBS)
		@ +25° F Evap	@ -20° F Evap	230V (K)	460V (M)	575V (P)	SEALED	REPLACEABLE CORE	SUCTION ACCUMULATOR	OIL SEPARATOR	PRESSURE FAN CYCLING	HEATED AND INSULATED RECEIVER			L	W	H	
CSD-0102MS	3DB3R12ME	109.7	-	\$22,480	\$23,060	\$23,540	\$1,100	\$1,670	\$1,810	\$3,270	N/A	\$2,090	\$3,120	A	92.00	45.25	51.50	1,594
CSD-0152MS	3DS3R17ME	151.7	-	\$27,640	\$28,330	\$28,890	\$1,100	\$1,670	\$1,810	\$3,270	\$1,080	\$2,090	\$3,120	B	146.00	45.25	51.50	1,951
CSD-0202MS	4DBNR20ME	183.9	-	\$30,850	\$31,760	\$32,380	\$1,100	\$1,670	\$1,810	\$3,270	\$1,080	\$2,090	\$5,190	B	146.00	45.25	51.50	1,999
CSD-0252MS	4DHNR22ME	197.4	-	\$36,300	\$36,070	\$37,990	\$1,100	\$1,670	\$1,810	\$3,270	\$1,080	\$2,220	\$5,790	B	146.00	45.25	51.50	2,061
CSD-0302MS	4DJNR28ME	232.1	-	\$44,120	\$45,120	\$46,030	\$1,100	\$1,670	\$1,810	\$3,270	\$1,080	\$2,280	\$6,600	B	146.00	45.25	51.50	2,152
CSD-0352MS	6DHNR35ME	285.7	-	\$50,620	\$51,680	\$52,730	\$1,100	\$1,670	\$1,810	\$3,350	\$1,720	\$2,350	\$6,670	C	200.00	45.25	51.50	2,600
CSD-0222LQ	4DJNF76KE	-	82.0	\$39,950	\$40,990	\$41,800	\$1,100	\$1,670	INCLUDED	\$3,350	\$1,080	\$2,090	\$4,530	B	146.00	45.25	51.50	2,002
CSD-0272LQ	6DHNF93KE	-	98.0	\$45,580	\$45,440	\$46,370	\$1,100	\$1,670	INCLUDED	\$3,350	\$1,080	\$2,090	\$5,790	B	146.00	45.25	51.50	2,103
CSD-0302LQ	6DJNF11ME	-	116.6	\$50,170	\$50,560	\$51,580	\$1,100	\$1,670	INCLUDED	\$3,350	\$1,080	\$2,090	\$6,600	B	146.00	45.25	51.50	2,128
CSD-0222LS	4DJNF76KE	-	90.1	\$38,510	\$38,590	\$39,350	\$1,100	\$1,670	INCLUDED	\$3,350	\$1,080	\$2,090	\$5,190	B	146.00	45.25	51.50	2,007
CSD-0272LS	6DHNF93KE	-	110.1	\$43,790	\$43,930	\$44,810	\$1,100	\$1,670	INCLUDED	\$3,350	\$1,080	\$2,220	\$5,790	B	146.00	45.25	51.50	2,115
CSD-0302LS	6DJNF11ME	-	122.7	\$48,290	\$49,300	\$50,260	\$1,100	\$1,670	INCLUDED	\$3,350	\$1,080	\$2,220	\$6,600	B	146.00	45.25	51.50	2,229

MS - Medium Temperature, R-404A Models Would Be Selected for R-407A (MQ), R-448A (MT), R-449A (MR), R-407F (MF), or R-507A (MP).

LQ - Low Temperature, R-407A Models Would Be Selected for Applications with R-448A (LT), R-449A (LR), or R-407F (LF) and Include Liquid Injection for Discharge Temperature Control.

LS - Low Temperature, R-404A Models Would Be Selected for Applications with R-507A (LP), and Would NOT Include Liquid Injection for Discharge Temperature Control.

Model Numbers with "2" Before the L or M Temperature Range Designation or an "\*" at the end have a condenser that meets California Title 24 efficiency requirements.



# LARGE AIR-COOLED CONDENSING UNIT PRODUCT DESCRIPTION

Version: September 2023

## CSB - SINGLE COMPRESSOR MODELS WITH BITZER ECOLINE COMPRESSORS (Motor 2)

### SINGLE COMPRESSOR UNITS WITH ONE REFRIGERANT AND ELECTRICAL CIRCUIT

STANDARD CONDENSER MODEL	COMPRESSOR MODEL	95° F AMBIENT CAPACITY (MBH)		BASE UNIT LIST PRICE			SUCTION FILTER		OPTIONS				4 YEAR EXTENDED COMPRESSOR WARRANTY	UNIT SIZE	DIMENSIONS (IN)			SHIP WGT (LBS)
		@ +25° F Evap	@ -20° F Evap	230V (K)	460V (M)	575V (P)	SEALED	REPLACEABLE CORE	SUCTION ACCUMULATOR	OIL SEPARATOR	PRESSURE FAN CYCLING	HEATED AND INSULATED RECEIVER			L	W	H	
CSB-0100MS	4TES-9	106.9	-	\$22,290	\$22,870	\$23,350	\$1,100	\$1,670	\$1,810	\$3,270	N/A	\$2,090	\$3,010	A	92.00	45.25	51.50	1,564
CSB-0150MS	4NES-14	153.7	-	\$24,800	\$25,480	\$26,040	\$1,100	\$1,670	\$1,810	\$3,270	\$1,080	\$2,090	\$3,010	B	146.00	45.25	51.50	1,834
CSB-0200MS	4JE-15	170.4	-	\$29,110	\$30,020	\$30,630	\$1,100	\$1,670	\$1,810	\$3,270	\$1,080	\$2,090	\$4,360	B	146.00	45.25	51.50	1,882
CSB-0250MS	4HE-18	200.8	-	\$34,040	\$33,810	\$35,730	\$1,100	\$1,670	\$1,810	\$3,270	\$1,080	\$2,220	\$4,360	B	146.00	45.25	51.50	2,002
CSB-0300MS	4GE-23	231.9	-	\$42,170	\$43,180	\$44,080	\$1,100	\$1,670	\$1,810	\$3,270	\$1,080	\$2,280	\$4,360	B	146.00	45.25	51.50	2,106
CSB-0350MS	6HE-28	298.7	-	\$48,020	\$49,080	\$50,130	\$1,100	\$1,670	\$1,810	\$3,350	\$1,720	\$2,350	\$6,670	C	200.00	45.25	51.50	2,511
CSB-0400MS*	6GE-34	344.7	-	\$52,510	\$53,610	\$54,760	\$1,100	\$1,670	\$2,330	\$3,350	\$1,720	\$2,350	\$7,400	C	200.00	45.25	51.50	2,820
CSB-0150LQ*	4HE-18	-	60.6	\$33,780	\$34,670	\$35,400	\$1,100	\$1,670	INCLUDED	\$3,270	N/A	\$2,090	\$4,360	A	92.00	45.25	51.50	1,639
CSB-0220LQ	4GE-23	-	72.1	\$37,120	\$38,160	\$38,970	\$1,100	\$1,670	INCLUDED	\$3,350	\$1,080	\$2,090	\$4,360	B	146.00	45.25	51.50	1,885
CSB-0270LQ	6HE-28	-	92.7	\$43,320	\$43,190	\$44,110	\$1,100	\$1,670	INCLUDED	\$3,350	\$1,080	\$2,090	\$5,790	B	146.00	45.25	51.50	2,044
CSB-0300LQ	6GE-34	-	108.8	\$47,900	\$48,300	\$49,320	\$1,100	\$1,670	INCLUDED	\$3,350	\$1,080	\$2,090	\$6,600	B	146.00	45.25	51.50	2,069
CSB-0150LS*	4HE-18	-	65.9	\$32,310	\$32,450	\$33,120	\$1,100	\$1,670	INCLUDED	\$3,270	N/A	\$2,090	\$4,360	A	92.00	45.25	51.50	1,639
CSB-0220LS	4GE-23	-	78.4	\$35,680	\$35,750	\$36,520	\$1,100	\$1,670	INCLUDED	\$3,350	\$1,080	\$2,090	\$4,360	B	146.00	45.25	51.50	1,890
CSB-0270LS	6HE-28	-	100.8	\$41,530	\$41,670	\$42,560	\$1,100	\$1,670	INCLUDED	\$3,350	\$1,080	\$2,220	\$5,790	B	146.00	45.25	51.50	2,056
CSB-0300LS	6GE-34	-	118.3	\$46,030	\$47,030	\$48,010	\$1,100	\$1,670	INCLUDED	\$3,350	\$1,080	\$2,220	\$6,600	B	146.00	45.25	51.50	2,170

OVERSIZED CONDENSER MODEL	COMPRESSOR MODEL	95° F AMBIENT CAPACITY (MBH)		BASE UNIT LIST PRICE			SUCTION FILTER		OPTIONS				4 YEAR EXTENDED COMPRESSOR WARRANTY	UNIT SIZE	DIMENSIONS (IN)			SHIP WGT (LBS)
		@ +25° F Evap	@ -20° F Evap	230V (K)	460V (M)	575V (P)	SEALED	REPLACEABLE CORE	SUCTION ACCUMULATOR	OIL SEPARATOR	PRESSURE FAN CYCLING	HEATED AND INSULATED RECEIVER			L	W	H	
CSB-0101MS	4TES-9	112.8	-	\$25,500	\$26,110	\$26,680	\$1,100	\$1,670	\$1,810	\$3,270	\$1,080	\$2,090	\$3,010	B	146.00	45.25	51.50	1,845
CSB-0151MS	4NES-14	159.8	-	\$26,610	\$27,300	\$27,890	\$1,100	\$1,670	\$1,810	\$3,270	\$1,080	\$2,220	\$3,010	B	146.00	45.25	51.50	1,930
CSB-0201MS	4JE-15	177.2	-	\$30,910	\$31,840	\$32,490	\$1,100	\$1,670	\$1,810	\$3,270	\$1,080	\$2,220	\$4,360	B	146.00	45.25	51.50	1,979
CSB-0251MS	4HE-18	210.1	-	\$38,510	\$39,440	\$40,310	\$1,100	\$1,670	\$1,810	\$3,270	\$1,720	\$2,280	\$4,360	C	200.00	45.25	51.50	2,511
CSB-0301MS	4GE-23	238.4	-	\$44,840	\$45,850	\$46,830	\$1,100	\$1,670	\$1,810	\$3,270	\$1,720	\$2,350	\$4,360	C	200.00	45.25	51.50	2,684
CSB-0351MS	6HE-28	312.0	-	\$56,160	\$57,210	\$58,430	\$1,100	\$1,670	\$1,810	\$3,350	\$1,080	\$2,350	\$6,670	D	146.00	90.50	51.50	3,099
CSB-0401MS	6GE-34	360.0	-	\$57,520	\$58,650	\$59,880	\$1,100	\$1,670	\$2,330	\$3,350	\$1,080	\$2,450	\$7,400	D	146.00	90.50	51.50	3,380
CSB-0151LQ	4HE-18	-	62.8	\$35,310	\$36,230	\$37,000	\$1,100	\$1,670	INCLUDED	\$3,270	\$1,080	\$2,090	\$4,360	B	146.00	45.25	51.50	1,934
CSB-0221LQ	4GE-23	-	74.2	\$38,930	\$39,970	\$40,800	\$1,100	\$1,670	INCLUDED	\$3,350	\$1,080	\$2,090	\$4,360	B	146.00	45.25	51.50	1,947
CSB-0271LQ	6HE-28	-	93.7	\$45,080	\$44,950	\$45,900	\$1,100	\$1,670	INCLUDED	\$3,350	\$1,720	\$2,090	\$5,790	C	200.00	45.25	51.50	2,427
CSB-0301LQ	6GE-34	-	111.1	\$52,380	\$52,760	\$53,900	\$1,100	\$1,670	INCLUDED	\$3,350	\$1,720	\$2,220	\$6,600	C	200.00	45.25	51.50	2,580
CSB-0151LS	4HE-18	-	68.3	\$33,870	\$33,980	\$34,700	\$1,100	\$1,670	INCLUDED	\$3,270	\$1,080	\$2,090	\$4,360	B	146.00	45.25	51.50	1,934
CSB-0221LS	4GE-23	-	80.7	\$37,490	\$37,560	\$38,370	\$1,100	\$1,670	INCLUDED	\$3,350	\$1,080	\$2,220	\$4,360	B	146.00	45.25	51.50	1,987
CSB-0271LS	6HE-28	-	101.8	\$43,300	\$43,420	\$44,350	\$1,100	\$1,670	INCLUDED	\$3,350	\$1,720	\$2,220	\$5,790	C	200.00	45.25	51.50	2,439
CSB-0301LS	6GE-34	-	120.8	\$48,690	\$49,690	\$50,730	\$1,100	\$1,670	INCLUDED	\$3,350	\$1,720	\$2,220	\$6,600	C	200.00	45.25	51.50	2,617

STANDARD CONDENSER MODEL	COMPRESSOR MODEL	95° F AMBIENT CAPACITY (MBH)		BASE UNIT LIST PRICE			SUCTION FILTER		OPTIONS				4 YEAR EXTENDED COMPRESSOR WARRANTY	UNIT SIZE	DIMENSIONS (IN)			SHIP WGT (LBS)
		@ +25° F Evap	@ -20° F Evap	230V (K)	460V (M)	575V (P)	SEALED	REPLACEABLE CORE	SUCTION ACCUMULATOR	OIL SEPARATOR	PRESSURE FAN CYCLING	HEATED AND INSULATED RECEIVER			L	W	H	
CSB-0102MS	4TES-9	109.0	-	\$22,480	\$23,060	\$23,540	\$1,100	\$1,670	\$1,810	\$3,270	N/A	\$2,090	\$3,010	A	92.00	45.25	51.50	1,594
CSB-0152MS	4NES-14	163.0	-	\$27,640	\$28,330	\$28,890	\$1,100	\$1,670	\$1,810	\$3,270	\$1,080	\$2,090	\$3,010	B	146.00	45.25	51.50	1,951
CSB-0202MS	4JE-15	180.7	-	\$31,940	\$32,850	\$33,470	\$1,100	\$1,670	\$1,810	\$3,270	\$1,080	\$2,090	\$4,360	B	146.00	45.25	51.50	1,999
CSB-0252MS	4HE-18	204.8	-	\$36,300	\$36,070	\$37,990	\$1,100	\$1,670	\$1,810	\$3,270	\$1,080	\$2,220	\$4,360	B	146.00	45.25	51.50	2,061
CSB-0302MS	4GE-23	234.2	-	\$44,120	\$45,120	\$46,030	\$1,100	\$1,670	\$1,810	\$3,270	\$1,080	\$2,280	\$4,360	B	146.00	45.25	51.50	2,152
CSB-0352MS	6HE-28	304.7	-	\$50,620	\$51,680	\$52,730	\$1,100	\$1,670	\$1,810	\$3,350	\$1,720	\$2,350	\$6,670	C	200.00	45.25	51.50	2,600
CSB-0222LQ	4GE-23	-	75.7	\$39,950	\$40,990	\$41,800	\$1,100	\$1,670	INCLUDED	\$3,350	\$1,080	\$2,090	\$4,360	B	146.00	45.25	51.50	2,002
CSB-0272LQ	6HE-28	-	94.6	\$45,580	\$45,440	\$46,370	\$1,100	\$1,670	INCLUDED	\$3,350	\$1,080	\$2,090	\$5,790	B	146.00	45.25	51.50	2,103
CSB-0302LQ	6GE-34	-	110.5	\$50,170	\$50,560	\$51,580	\$1,100	\$1,670	INCLUDED	\$3,350	\$1,080	\$2,090	\$6,600	B	146.00	45.25	51.50	2,128
CSB-0222LS	4GE-23	-	82.3	\$38,510	\$38,590	\$39,350	\$1,100	\$1,670	INCLUDED	\$3,350	\$1,080	\$2,090	\$4,360	B	146.00	45.25	51.50	2,007
CSB-0272LS	6HE-28	-	102.8	\$43,790	\$43,930	\$44,810	\$1,100	\$1,670	INCLUDED	\$3,350	\$1,080	\$2,220	\$5,790	B	146.00	45.25	51.50	2,115
CSB-0302LS	6GE-34	-	120.1	\$48,290	\$49,300	\$50,260	\$1,100	\$1,670	INCLUDED	\$3,350	\$1,080	\$2,220	\$6,600	B	146.00	45.25	51.50	2,229

MS - Medium Temperature, R-404A Models Would Be Selected for R-407A (MQ), R-448A (MT), R-449A (MR), R-407F (MF), or R-507A (MP).

LQ - Low Temperature, R-407A Models Would Be Selected for Applications with R-448A (LT), R-449A (LR), or R-407F (LF) and Include Liquid Injection for Discharge Temperature Control.

LS - Low Temperature, R-404A Models Would Be Selected for Applications with R-507A (LP), and Would NOT Include Liquid Injection for Discharge Temperature Control.

Model Numbers with "2" Before the L or M Temperature Range Designation or an "\*" at the end have a condenser that meets California Title 24 efficiency requirements.



# LARGE AIR-COOLED CONDENSING UNIT PRODUCT DESCRIPTION

Version: September 2023

## CSE - SINGLE COMPRESSOR MODELS WITH BITZER ECOLINE COMPRESSORS (Motor 1)

### SINGLE COMPRESSOR UNITS WITH ONE REFRIGERANT AND ELECTRICAL CIRCUIT

STANDARD CONDENSER	COMPRESSOR MODEL	95° F AMBIENT CAPACITY (MBH)		BASE UNIT LIST PRICE			SUCTION FILTER		OPTIONS				4 YEAR EXTENDED COMPRESSOR WARRANTY	UNIT SIZE	DIMENSIONS (IN)			SHIP WGT (LBS)
		@ +25° F Evap	@ -20° F Evap	230V (K)	460V (M)	575V (P)	SEALED	REPLACEABLE CORE	SUCTION ACCUMULATOR	OIL SEPARATOR	PRESSURE FAN CYCLING	HEATED AND INSULATED RECEIVER			L	W	H	
CSE-0100MS	4TES-12	106.9	-	\$22,430	\$23,010	\$23,490	\$1,100	\$1,670	\$1,810	\$3,270	N/A	\$2,090	\$3,010	A	92.00	45.25	51.50	1,564
CSE-0150MS	4NES-20	153.7	-	\$24,940	\$25,630	\$26,190	\$1,100	\$1,670	\$1,810	\$3,270	\$1,080	\$2,090	\$3,010	B	146.00	45.25	51.50	1,834
CSE-0200MS	4UE-22	170.4	-	\$29,240	\$30,160	\$30,780	\$1,100	\$1,670	\$1,810	\$3,270	\$1,080	\$2,090	\$4,360	B	146.00	45.25	51.50	1,882
CSE-0250MS	4HE-25	200.8	-	\$34,180	\$33,950	\$35,870	\$1,100	\$1,670	\$1,810	\$3,270	\$1,080	\$2,220	\$4,360	B	146.00	45.25	51.50	2,002
CSE-0300MS	4GE-30	231.9	-	\$42,320	\$43,320	\$44,230	\$1,100	\$1,670	\$1,810	\$3,270	\$1,080	\$2,280	\$4,360	B	146.00	45.25	51.50	2,106
CSE-0350MS	6HE-35	298.7	-	\$48,150	\$49,210	\$50,260	\$1,100	\$1,670	\$1,810	\$3,350	\$1,720	\$2,350	\$6,670	C	200.00	45.25	51.50	2,511
CSE-0400MS*	6GE-40	344.7	-	\$52,660	\$53,760	\$54,890	\$1,100	\$1,670	\$2,330	\$3,350	\$1,720	\$2,350	\$7,400	C	200.00	45.25	51.50	2,820
CSE-0150LQ*	4HE-25	-	60.6	\$33,920	\$34,820	\$35,530	\$1,100	\$1,670	INCLUDED	\$3,270	N/A	\$2,090	\$4,360	A	92.00	45.25	51.50	1,639
CSE-0220LQ	4GE-30	-	72.1	\$37,250	\$38,290	\$39,100	\$1,100	\$1,670	INCLUDED	\$3,350	\$1,080	\$2,090	\$4,360	B	146.00	45.25	51.50	1,885
CSE-0270LQ	6HE-35	-	92.7	\$43,460	\$43,330	\$44,250	\$1,100	\$1,670	INCLUDED	\$3,350	\$1,080	\$2,090	\$5,790	B	146.00	45.25	51.50	2,044
CSE-0300LQ	6GE-40	-	108.8	\$48,050	\$48,440	\$49,460	\$1,100	\$1,670	INCLUDED	\$3,350	\$1,080	\$2,090	\$6,600	B	146.00	45.25	51.50	2,069
CSE-0150LS*	4HE-25	-	65.9	\$32,460	\$32,580	\$33,260	\$1,100	\$1,670	INCLUDED	\$3,270	N/A	\$2,090	\$4,360	A	92.00	45.25	51.50	1,639
CSE-0220LS	4GE-30	-	78.4	\$35,820	\$35,890	\$36,660	\$1,100	\$1,670	INCLUDED	\$3,350	\$1,080	\$2,090	\$4,360	B	146.00	45.25	51.50	1,890
CSE-0270LS	6HE-35	-	100.8	\$41,670	\$41,810	\$42,690	\$1,100	\$1,670	INCLUDED	\$3,350	\$1,080	\$2,220	\$5,790	B	146.00	45.25	51.50	2,056
CSE-0300LS	6GE-40	-	118.3	\$46,170	\$47,180	\$48,140	\$1,100	\$1,670	INCLUDED	\$3,350	\$1,080	\$2,220	\$6,600	B	146.00	45.25	51.50	2,170

OVERSIZED CONDENSER	COMPRESSOR MODEL	95° F AMBIENT CAPACITY (MBH)		BASE UNIT LIST PRICE			SUCTION FILTER		OPTIONS				4 YEAR EXTENDED COMPRESSOR WARRANTY	UNIT SIZE	DIMENSIONS (IN)			SHIP WGT (LBS)
		@ +25° F Evap	@ -20° F Evap	230V (K)	460V (M)	575V (P)	SEALED	REPLACEABLE CORE	SUCTION ACCUMULATOR	OIL SEPARATOR	PRESSURE FAN CYCLING	HEATED AND INSULATED RECEIVER			L	W	H	
CSE-0101MS	4TES-12	112.8	-	\$25,650	\$26,250	\$26,820	\$1,100	\$1,670	\$1,810	\$3,270	\$1,080	\$2,090	\$3,010	B	146.00	45.25	51.50	1,845
CSE-0151MS	4NES-20	159.8	-	\$26,750	\$27,450	\$28,040	\$1,100	\$1,670	\$1,810	\$3,270	\$1,080	\$2,220	\$3,010	B	146.00	45.25	51.50	1,930
CSE-0201MS	4UE-22	177.2	-	\$31,060	\$31,970	\$32,530	\$1,100	\$1,670	\$1,810	\$3,270	\$1,080	\$2,220	\$4,360	B	146.00	45.25	51.50	1,979
CSE-0251MS	4HE-25	210.1	-	\$36,660	\$36,590	\$40,450	\$1,100	\$1,670	\$1,810	\$3,270	\$1,720	\$2,280	\$4,360	C	200.00	45.25	51.50	2,511
CSE-0301MS	4GE-30	236.4	-	\$44,980	\$45,090	\$46,970	\$1,100	\$1,670	\$1,810	\$3,270	\$1,720	\$2,350	\$4,360	C	200.00	45.25	51.50	2,584
CSE-0351MS	6HE-35	312.0	-	\$56,300	\$57,350	\$58,580	\$1,100	\$1,670	\$1,810	\$3,350	\$1,080	\$2,350	\$6,670	D	146.00	90.50	51.50	3,099
CSE-0401MS	6GE-40	360.0	-	\$57,660	\$58,790	\$60,030	\$1,100	\$1,670	\$2,330	\$3,350	\$1,080	\$2,450	\$7,400	D	146.00	90.50	51.50	3,380
CSE-0151LQ	4HE-25	-	62.8	\$35,460	\$36,360	\$37,140	\$1,100	\$1,670	INCLUDED	\$3,270	\$1,080	\$2,090	\$4,360	B	146.00	45.25	51.50	1,934
CSE-0221LQ	4GE-30	-	74.2	\$39,070	\$40,120	\$40,950	\$1,100	\$1,670	INCLUDED	\$3,350	\$1,080	\$2,090	\$4,360	B	146.00	45.25	51.50	1,947
CSE-0271LQ	6HE-35	-	93.7	\$45,220	\$45,090	\$46,040	\$1,100	\$1,670	INCLUDED	\$3,350	\$1,720	\$2,090	\$5,790	C	200.00	45.25	51.50	2,427
CSE-0301LQ	6GE-40	-	111.1	\$52,520	\$52,910	\$54,040	\$1,100	\$1,670	INCLUDED	\$3,350	\$1,720	\$2,220	\$6,600	C	200.00	45.25	51.50	2,580
CSE-0151LS	4HE-25	-	68.3	\$34,020	\$34,130	\$34,850	\$1,100	\$1,670	INCLUDED	\$3,270	\$1,080	\$2,090	\$4,360	B	146.00	45.25	51.50	1,934
CSE-0221LS	4GE-30	-	80.7	\$37,630	\$37,700	\$38,500	\$1,100	\$1,670	INCLUDED	\$3,350	\$1,080	\$2,220	\$4,360	B	146.00	45.25	51.50	1,987
CSE-0271LS	6HE-35	-	101.8	\$43,440	\$43,560	\$44,500	\$1,100	\$1,670	INCLUDED	\$3,350	\$1,720	\$2,220	\$5,790	C	200.00	45.25	51.50	2,439
CSE-0301LS	6GE-40	-	120.8	\$48,840	\$49,830	\$50,860	\$1,100	\$1,670	INCLUDED	\$3,350	\$1,720	\$2,220	\$6,600	C	200.00	45.25	51.50	2,617

STANDARD CONDENSER	COMPRESSOR MODEL	95° F AMBIENT CAPACITY (MBH)		BASE UNIT LIST PRICE			SUCTION FILTER		OPTIONS				4 YEAR EXTENDED COMPRESSOR WARRANTY	UNIT SIZE	DIMENSIONS (IN)			SHIP WGT (LBS)
		@ +25° F Evap	@ -20° F Evap	230V (K)	460V (M)	575V (P)	SEALED	REPLACEABLE CORE	SUCTION ACCUMULATOR	OIL SEPARATOR	PRESSURE FAN CYCLING	HEATED AND INSULATED RECEIVER			L	W	H	
CSE-0102MS	4TES-12	109.0	-	\$22,630	\$23,210	\$23,690	\$1,100	\$1,670	\$1,810	\$3,270	N/A	\$2,090	\$3,010	A	92.00	45.25	51.50	1,594
CSE-0152MS	4NES-20	163.0	-	\$27,780	\$28,470	\$29,020	\$1,100	\$1,670	\$1,810	\$3,270	\$1,080	\$2,090	\$3,010	B	146.00	45.25	51.50	1,951
CSE-0202MS	4UE-22	180.7	-	\$32,090	\$33,000	\$33,610	\$1,100	\$1,670	\$1,810	\$3,270	\$1,080	\$2,090	\$4,360	B	146.00	45.25	51.50	1,999
CSE-0252MS	4HE-25	204.8	-	\$38,440	\$38,210	\$38,140	\$1,100	\$1,670	\$1,810	\$3,270	\$1,080	\$2,220	\$4,360	B	146.00	45.25	51.50	2,061
CSE-0302MS	4GE-30	234.2	-	\$44,260	\$45,270	\$46,170	\$1,100	\$1,670	\$1,810	\$3,270	\$1,080	\$2,280	\$4,360	B	146.00	45.25	51.50	2,152
CSE-0352MS	6HE-35	304.7	-	\$50,770	\$51,830	\$52,880	\$1,100	\$1,670	\$1,810	\$3,350	\$1,720	\$2,350	\$6,670	C	200.00	45.25	51.50	2,600
CSE-0222LQ	4GE-30	-	75.7	\$40,100	\$41,140	\$41,950	\$1,100	\$1,670	INCLUDED	\$3,350	\$1,080	\$2,090	\$4,360	B	146.00	45.25	51.50	2,002
CSE-0272LQ	6HE-35	-	94.6	\$46,720	\$46,590	\$46,500	\$1,100	\$1,670	INCLUDED	\$3,350	\$1,080	\$2,090	\$5,790	B	146.00	45.25	51.50	2,103
CSE-0302LQ	6GE-40	-	110.5	\$50,310	\$50,700	\$51,710	\$1,100	\$1,670	INCLUDED	\$3,350	\$1,080	\$2,090	\$6,600	B	146.00	45.25	51.50	2,128
CSE-0222LS	4GE-30	-	82.3	\$38,660	\$38,730	\$39,500	\$1,100	\$1,670	INCLUDED	\$3,350	\$1,080	\$2,090	\$4,360	B	146.00	45.25	51.50	2,007
CSE-0272LS	6HE-35	-	102.8	\$43,930	\$44,070	\$44,960	\$1,100	\$1,670	INCLUDED	\$3,350	\$1,080	\$2,220	\$5,790	B	146.00	45.25	51.50	2,115
CSE-0302LS	6GE-40	-	120.1	\$48,430	\$49,430	\$50,410	\$1,100	\$1,670	INCLUDED	\$3,350	\$1,080	\$2,220	\$6,600	B	146.00	45.25	51.50	2,229

MS - Medium Temperature, R-404A Models Would Be Selected for R-407A (MQ), R-448A (MT), R-449A (MR), R-407F (MF), or R-507A (MP).

LQ - Low Temperature, R-407A Models Would Be Selected for Applications with R-448A (LT), R-449A (LR), or R-407F (LF) and Include Liquid Injection for Discharge Temperature Control.

LS - Low Temperature, R-404A Models Would Be Selected for Applications with R-507A (LP), and Would NOT Include Liquid Injection for Discharge Temperature Control.

Model Numbers with "2" Before the L or M Temperature Range Designation or an "\*" at the end have a condenser that meets California Title 24 efficiency requirements.



# LARGE AIR-COOLED CONDENSING UNIT PRODUCT DESCRIPTION

Version: September 2023

## CDD - DUAL COMPRESSOR MODELS WITH COPELAND DISCUS COMPRESSORS

### TWO INDEPENDENT REFRIGERANT and ELECTRICAL CIRCUITS WITH SINGLE POINT POWER FEED

STANDARD CONDENSER	COMPRESSOR MODEL	95° F AMBIENT CAPACITY (MBH)		BASE UNIT LIST PRICE			SUCTION FILTER			OPTIONS				4 YEAR EXTENDED COMPRESSOR WARRANTY	UNIT SIZE	DIMENSIONS (IN)			SHIP WGT (LBS)
		@ +25° F Evap	@ -20° F Evap	230V (K)	460V (M)	575V (P)	SEALED	REPLACEABLE CORE	SUCTION ACCUMULATOR	OIL SEPARATOR	PRESSURE FAN CYCLING	HEATED AND INSULATED RECEIVER	L			W	H		
CDD-0100MS	(2) 2DC3R53KE	43.2	-	\$27,900	\$27,900	\$28,500	\$2,220	\$3,500	\$3,570	\$6,510	N/A	\$4,160	\$5,010	F	124.75	45.25	51.50	1,748	
CDD-0150MS*	(2) 2DL3R78KE	63.7	-	\$37,940	\$37,940	\$38,730	\$2,220	\$3,500	\$3,570	\$6,510	N/A	\$4,160	\$5,010	F	124.75	45.25	51.50	1,839	
CDD-0160MS	(2) 2DA3R89KE	73.8	-	\$40,770	\$40,770	\$41,670	\$2,220	\$3,500	\$3,570	\$6,510	\$1,080	\$4,160	\$5,010	G	178.75	45.25	51.50	2,378	
CDD-0180MS	(2) 3DA3R10ME	87.8	-	\$45,090	\$45,090	\$46,050	\$2,220	\$3,500	\$3,570	\$6,510	\$1,080	\$4,160	\$6,240	G	178.75	45.25	51.50	2,533	
CDD-0200MS	(2) 3DB3R12ME	105.4	-	\$50,950	\$50,950	\$52,030	\$2,220	\$3,500	\$3,570	\$6,510	\$1,080	\$4,160	\$6,240	G	178.75	45.25	51.50	2,660	
CDD-0240MS*	(2) 3DF3R15ME	122.4	-	\$57,200	\$57,200	-	\$2,220	\$3,500	\$3,570	\$6,510	\$1,080	\$4,160	\$6,240	G	178.75	45.25	51.50	2,725	
CDD-0300MS	(2) 3DS3R17ME	141.0	-	\$60,810	\$60,810	\$62,090	\$2,220	\$3,500	\$3,570	\$6,510	\$1,720	\$4,160	\$6,240	H	232.75	45.25	51.50	3,115	
CDD-0400MS	(2) 4DBNR20ME	149.7	-	\$62,770	\$62,770	\$63,280	\$2,220	\$3,500	\$3,570	\$6,710	\$1,720	\$4,160	\$10,370	H	232.75	45.25	51.50	3,168	
CDD-0500MS*	(2) 4DHN22ME	188.2	-	\$73,430	\$73,430	\$74,170	\$2,220	\$3,500	\$3,570	\$6,710	\$1,720	\$4,410	\$11,570	H	232.75	45.25	51.50	3,381	
CDD-0600MS*	(2) 4DJNR28ME	229.8	-	\$82,850	\$82,850	\$84,600	\$2,220	\$3,500	\$3,570	\$6,710	\$1,720	\$4,580	\$13,220	I	146.00	90.50	51.50	3,776	
CDD-0700MS	(2) 6DHN35ME	280.5	-	\$92,560	\$92,560	\$94,540	\$2,220	\$3,500	\$3,570	\$8,390	\$3,010	\$4,580	\$13,340	J	200.00	90.50	51.50	4,319	
CDD-0800MS*	(2) 6DJNR40ME	340.7	-	\$104,270	\$104,270	\$106,470	\$2,220	\$3,500	\$4,650	\$8,390	\$3,010	\$4,700	\$14,810	J	200.00	90.50	51.50	4,942	
CDD-0300LQ*	(2) 4DKNF63KE	-	64.7	\$56,300	\$56,300	\$72,040	\$2,220	\$3,500	INCLUDED	\$6,710	\$1,720	\$4,160	\$9,630	G	178.75	45.25	51.50	2,719	
CDD-0440LQ	(2) 4DJNF76KE	-	73.5	\$72,670	\$72,670	\$74,210	\$2,220	\$3,500	INCLUDED	\$6,710	\$1,720	\$4,160	\$9,040	H	232.75	45.25	51.50	3,167	
CDD-0540LQ	(2) 6DHN93KE	-	91.8	\$80,870	\$80,870	\$82,570	\$2,220	\$3,500	INCLUDED	\$6,710	\$1,720	\$4,410	\$11,570	H	232.75	45.25	51.50	3,452	
CDD-0600LQ	(2) 6DJNF11ME	-	109	\$88,310	\$88,310	\$90,170	\$2,220	\$3,500	INCLUDED	\$6,710	\$1,720	\$4,410	\$13,220	I	146.00	90.50	51.50	3,765	
CDD-0300LS*	(2) 4DKNF63KE	-	71.1	\$58,170	\$58,170	\$68,570	\$2,220	\$3,500	INCLUDED	\$6,710	\$1,720	\$4,160	\$8,530	G	178.75	45.25	51.50	2,719	
CDD-0440LS*	(2) 4DJNF76KE	-	85.9	\$69,290	\$69,290	\$70,740	\$2,220	\$3,500	INCLUDED	\$6,710	\$1,720	\$4,160	\$9,040	H	232.75	45.25	51.50	3,179	
CDD-0540LS*	(2) 6DHN93KE	-	106.1	\$77,500	\$77,500	\$79,120	\$2,220	\$3,500	INCLUDED	\$6,710	\$1,720	\$4,410	\$11,570	H	232.75	45.25	51.50	3,477	
CDD-0600LS*	(2) 6DJNF11ME	-	118.8	\$84,920	\$84,920	\$86,740	\$2,220	\$3,500	INCLUDED	\$6,710	\$1,720	\$4,410	\$13,220	I	146.00	90.50	51.50	3,765	

OVERSIZED CONDENSER	COMPRESSOR MODEL	95° F AMBIENT CAPACITY (MBH)		BASE UNIT LIST PRICE			SUCTION FILTER			OPTIONS				4 YEAR EXTENDED COMPRESSOR WARRANTY	UNIT SIZE	DIMENSIONS (IN)			SHIP WGT (LBS)
		@ +25° F Evap	@ -20° F Evap	230V (K)	460V (M)	575V (P)	SEALED	REPLACEABLE CORE	SUCTION ACCUMULATOR	OIL SEPARATOR	PRESSURE FAN CYCLING	HEATED AND INSULATED RECEIVER	L			W	H		
CDD-0101MS*	(2) 2DC3R53KE	44.9	-	\$31,210	\$31,210	\$31,870	\$2,220	\$3,500	\$3,570	\$6,510	N/A	\$4,160	\$5,010	F	124.75	45.25	51.50	1,812	
CDD-0151MS	(2) 2DL3R78KE	65.8	-	\$39,480	\$39,480	\$40,340	\$2,220	\$3,500	\$3,570	\$6,510	\$1,080	\$4,160	\$5,010	G	178.75	45.25	51.50	2,371	
CDD-0161MS	(2) 2DA3R89KE	75.2	-	\$42,600	\$42,600	\$43,520	\$2,220	\$3,500	\$3,570	\$6,510	\$1,080	\$4,160	\$5,010	G	178.75	45.25	51.50	2,440	
CDD-0181MS*	(2) 3DA3R10ME	90.6	-	\$48,710	\$48,710	\$49,740	\$2,220	\$3,500	\$3,570	\$6,510	\$1,080	\$4,160	\$6,240	G	178.75	45.25	51.50	2,729	
CDD-0201MS*	(2) 3DB3R12ME	108.6	-	\$55,410	\$55,410	\$56,600	\$2,220	\$3,500	\$3,570	\$6,510	\$1,080	\$4,160	\$6,240	H	232.75	45.25	51.50	3,077	
CDD-0241MS	(2) 3DF3R15ME	125.5	-	\$59,850	\$59,850	-	\$2,220	\$3,500	\$3,570	\$6,510	\$1,720	\$4,160	\$6,240	H	232.75	45.25	51.50	3,079	
CDD-0301MS*	(2) 3DS3R17ME	142.2	-	\$64,430	\$64,430	\$65,800	\$2,220	\$3,500	\$3,570	\$6,510	\$1,720	\$4,410	\$6,240	H	232.75	45.25	51.50	3,277	
CDD-0401MS	(2) 4DBNR20ME	156.8	-	\$74,170	\$74,170	\$80,020	\$2,220	\$3,500	\$3,570	\$6,710	\$1,720	\$4,410	\$10,370	I	146.00	90.50	51.50	3,515	
CDD-0501MS*	(2) 4DHN22ME	203.8	-	\$84,830	\$84,830	\$86,630	\$2,220	\$3,500	\$3,570	\$6,710	\$3,010	\$4,580	\$11,570	J	200.00	90.50	51.50	4,329	
CDD-0601MS*	(2) 4DJNR28ME	239.7	-	\$89,210	\$89,210	\$91,110	\$2,220	\$3,500	\$3,570	\$6,710	\$1,720	\$4,700	\$13,220	J	200.00	90.50	51.50	4,474	
CDD-0701MS	(2) 6DHN35ME	304.5	-	\$115,830	\$115,830	\$118,230	\$2,220	\$3,500	\$3,570	\$8,390	\$4,290	\$4,700	\$13,340	K	254.00	90.50	51.50	5,329	
CDD-0801MS*	(2) 6DJNR40ME	354.2	-	\$118,660	\$118,660	\$121,130	\$2,220	\$3,500	\$4,650	\$8,390	\$4,290	\$4,870	\$14,810	K	254.00	90.50	51.50	5,895	
CDD-0301LQ	(2) 4DKNF63KE	-	67.8	\$63,850	\$63,850	\$74,340	\$2,220	\$3,500	INCLUDED	\$6,710	\$1,720	\$4,160	\$8,530	H	232.75	45.25	51.50	3,212	
CDD-0441LQ*	(2) 4DJNF76KE	-	74.0	\$76,270	\$76,270	\$77,890	\$2,220	\$3,500	INCLUDED	\$6,710	\$1,720	\$4,410	\$9,040	H	232.75	45.25	51.50	3,261	
CDD-0541LQ	(2) 6DHN93KE	-	93.7	\$85,900	\$85,900	\$87,710	\$2,220	\$3,500	INCLUDED	\$6,710	\$1,720	\$4,410	\$11,570	I	146.00	90.50	51.50	3,831	
CDD-0601LQ	(2) 6DJNF11ME	-	111.6	\$98,810	\$98,810	\$100,910	\$2,220	\$3,500	INCLUDED	\$6,710	\$3,010	\$4,410	\$13,220	J	200.00	90.50	51.50	4,452	
CDD-0301LS*	(2) 4DKNF63KE	-	75.3	\$60,470	\$60,470	\$70,860	\$2,220	\$3,500	INCLUDED	\$6,710	\$1,720	\$4,160	\$8,530	H	232.75	45.25	51.50	3,212	
CDD-0441LS*	(2) 4DJNF76KE	-	88.3	\$73,790	\$73,790	\$75,370	\$2,220	\$3,500	INCLUDED	\$6,710	\$1,720	\$4,410	\$9,040	H	232.75	45.25	51.50	3,261	
CDD-0541LS*	(2) 6DHN93KE	-	109.0	\$82,510	\$82,510	\$84,250	\$2,220	\$3,500	INCLUDED	\$6,710	\$1,720	\$4,410	\$11,570	I	146.00	90.50	51.50	3,788	
CDD-0601LS*	(2) 6DJNF11ME	-	123.4	\$95,400	\$95,400	\$97,450	\$2,220	\$3,500	INCLUDED	\$6,710	\$3,010	\$4,410	\$13,220	J	200.00	90.50	51.50	4,527	

OVERSIZED CONDENSER	COMPRESSOR MODEL	95° F AMBIENT CAPACITY (MBH)		BASE UNIT LIST PRICE			SUCTION FILTER			OPTIONS				4 YEAR EXTENDED COMPRESSOR WARRANTY	UNIT SIZE	DIMENSIONS (IN)			SHIP WGT (LBS)
		@ +25° F Evap	@ -20° F Evap	230V (K)	460V (M)	575V (P)	SEALED	REPLACEABLE CORE	SUCTION ACCUMULATOR	OIL SEPARATOR	PRESSURE FAN CYCLING	HEATED AND INSULATED RECEIVER	L			W	H		
CDD-0162MS	(2) 2DA3R89KE	73.8	-	\$43,620	\$43,620	\$44,510	\$2,220	\$3,500	\$3,570	\$6,510	\$1,080	\$4,160	\$5,010	G	178.75	45.25	51.50	2,495	
CDD-0202MS	(2) 3DB3R12ME	105.4	-	\$53,200	\$53,200	\$54,290	\$2,220	\$3,500	\$3,570	\$6,510	\$1,080	\$4,160	\$6,240	G	178.75	45.25	51.50	2,719	
CDD-0402MS	(2) 4DBNR20ME	149.7	-	\$65,370	\$65,370	\$65,890	\$2,220	\$3,500	\$3,570	\$6,710	\$1,720	\$4,160	\$10,370	H	232.75	45.25	51.50	3,256	
CDD-0702MS	(2) 6DHN35ME	280.5	-	\$97,790	\$97,790	\$99,770	\$2,220	\$3,500	\$3,570	\$8,390	\$3,010	\$4,580	\$13,340	J	200.00	90.50	51.50	4,494	
CDD-0602LQ	(2) 6DJNF11ME	-	109.0	\$92,820	\$92,820	\$94,690	\$2,220	\$3,500	INCLUDED	\$6,710	\$1,720	\$4,410	\$13,220	I	146.00	90.50	51.50	3,895	
CDD-0602LS	(2) 6DJNF11ME	-	118.8	\$89,440	\$89,440	\$91,250	\$2,220	\$3,500	INCLUDED	\$6,710	\$1,720	\$4,410	\$13,220	I	146.00	90.50	51.50	3,895	

MS - Medium Temperature, R-404A Models Would Be Selected for R-407A (MQ), R-448A (MT), R-449A (MR), R-407F (MF), or R-507A (MP).

LQ - Low Temperature, R-407A Models Would Be Selected for Applications with R-448A (LT), R-449A (LR), or R-407F (LF) and Include Liquid Injection for Discharge Temperature Control.

LS - Low Temperature, R-404A Models Would Be Selected for Applications with R-507A (LP), and Would NOT Include Liquid Injection for Discharge Temperature Control.

Model Numbers with "2" Before the L or M Temperature Range Designation or an "\*" at the end have a condenser that meets California Title 24 efficiency requirements.

Prices, product availability, and specifications are subject to change without notice.





# LARGE AIR-COOLED CONDENSING UNIT PRODUCT DESCRIPTION

Version: September 2023

## CDB - DUAL COMPRESSOR MODELS WITH BITZER ECOLINE COMPRESSORS (Motor 2)

### TWO INDEPENDENT REFRIGERANT and ELECTRICAL CIRCUITS WITH SINGLE POINT POWER FEED

STANDARD CONDENSER	COMPRESSOR MODEL	95° F AMBIENT CAPACITY (MBH)		BASE UNIT LIST PRICE			SUCTION FILTER		OPTIONS				4 YEAR EXTENDED COMPRESSOR WARRANTY	UNIT SIZE	DIMENSIONS (IN)			SHIP WGT (LBS)
		@ +25° F Evap	@ -20° F Evap	230V (K)	460V (M)	575V (P)	SEALED	REPLACEABLE CORE	SUCTION ACCUMULATOR	OIL SEPARATOR	PRESSURE FAN CYCLING	HEATED AND INSULATED RECEIVER			L	W	H	
CDB-0100MS	(2) 4FES-3	43.9	-	\$27,900	\$27,900	\$28,500	\$2,220	\$3,500	\$3,570	\$6,510	N/A	\$4,160	\$4,430	F	124.75	45.25	51.50	1,748
CDB-0150MS*	(2) 4EES-4	66.0	-	\$37,940	\$37,940	\$38,730	\$2,220	\$3,500	\$3,570	\$6,510	N/A	\$4,160	\$4,430	F	124.75	45.25	51.50	1,839
CDB-0160MS	(2) 4DES-5	69.3	-	\$40,770	\$40,770	\$41,670	\$2,220	\$3,500	\$3,570	\$6,510	\$1,080	\$4,160	\$4,430	G	178.75	45.25	51.50	2,378
CDB-0180MS	(2) 4CES-6	88.5	-	\$45,090	\$45,090	\$46,050	\$2,220	\$3,500	\$3,570	\$6,510	\$1,080	\$4,160	\$4,430	G	178.75	45.25	51.50	2,533
CDB-0200MS	(2) 4TES-9	106.9	-	\$50,950	\$50,950	\$52,030	\$2,220	\$3,500	\$3,570	\$6,510	\$1,080	\$4,160	\$6,020	G	178.75	45.25	51.50	2,660
CDB-0240MS*	(2) 4PES-12	128.1	-	\$57,200	\$57,200	\$58,420	\$2,220	\$3,500	\$3,570	\$6,510	\$1,080	\$4,160	\$6,020	G	178.75	45.25	51.50	2,725
CDB-0300MS	(2) 4NES-14	150.0	-	\$60,810	\$60,810	\$62,090	\$2,220	\$3,500	\$3,570	\$6,510	\$1,720	\$4,160	\$6,020	H	232.75	45.25	51.50	3,115
CDB-0400MS	(2) 4JE-15	169.2	-	\$62,770	\$62,770	\$63,280	\$2,220	\$3,500	\$3,570	\$6,710	\$1,720	\$4,160	\$8,700	H	232.75	45.25	51.50	3,168
CDB-0500MS*	(2) 4HE-18	195.7	-	\$73,430	\$73,430	\$74,170	\$2,220	\$3,500	\$3,570	\$6,710	\$1,720	\$4,410	\$8,700	H	232.75	45.25	51.50	3,381
CDB-0600MS*	(2) 4GE-23	231.9	-	\$82,850	\$82,850	\$84,600	\$2,220	\$3,500	\$3,570	\$6,710	\$1,720	\$4,580	\$8,700	I	146.00	90.50	51.50	3,776
CDB-0700MS	(2) 6HE-28	298.7	-	\$92,560	\$92,560	\$94,540	\$2,220	\$3,500	\$3,570	\$8,390	\$3,010	\$4,580	\$13,340	J	200.00	90.50	51.50	4,319
CDB-0800MS*	(2) 6GE-34	344.7	-	\$104,270	\$104,270	\$106,470	\$2,220	\$3,500	\$4,650	\$8,390	\$3,010	\$4,700	\$14,810	J	200.00	90.50	51.50	4,942
CDB-0300LQ	(2) 4HE-18	60.6	-	\$66,320	\$66,320	\$67,880	\$2,220	\$3,500	INCLUDED	\$6,710	\$1,720	\$4,160	\$8,700	G	178.75	45.25	51.50	2,719
CDB-0440LQ	(2) 4GE-23	71.7	-	\$72,670	\$72,670	\$74,210	\$2,220	\$3,500	INCLUDED	\$6,710	\$1,720	\$4,160	\$8,700	H	232.75	45.25	51.50	3,167
CDB-0540LQ*	(2) 6HE-28	90.9	-	\$80,870	\$80,870	\$82,570	\$2,220	\$3,500	INCLUDED	\$6,710	\$1,720	\$4,410	\$11,570	H	232.75	45.25	51.50	3,452
CDB-0600LQ	(2) 6GE-34	106.9	-	\$88,310	\$88,310	\$90,170	\$2,220	\$3,500	INCLUDED	\$6,710	\$1,720	\$4,410	\$13,220	I	146.00	90.50	51.50	3,688
CDB-0300LS*	(2) 4HE-18	65.9	-	\$62,960	\$62,960	\$64,410	\$2,220	\$3,500	INCLUDED	\$6,710	\$1,720	\$4,160	\$8,700	G	178.75	45.25	51.50	2,719
CDB-0440LS	(2) 4GE-23	77.9	-	\$69,290	\$69,290	\$70,740	\$2,220	\$3,500	INCLUDED	\$6,710	\$1,720	\$4,160	\$9,700	H	232.75	45.25	51.50	3,179
CDB-0540LS*	(2) 6HE-28	98.8	-	\$77,500	\$77,500	\$79,120	\$2,220	\$3,500	INCLUDED	\$6,710	\$1,720	\$4,410	\$11,570	H	232.75	45.25	51.50	3,477
CDB-0600LS	(2) 6GE-34	116.2	-	\$84,920	\$84,920	\$86,740	\$2,220	\$3,500	INCLUDED	\$6,710	\$1,720	\$4,410	\$13,220	I	146.00	90.50	51.50	3,765

OVERSIZED CONDENSER	COMPRESSOR MODEL	95° F AMBIENT CAPACITY (MBH)		BASE UNIT LIST PRICE			SUCTION FILTER		OPTIONS				4 YEAR EXTENDED COMPRESSOR WARRANTY	UNIT SIZE	DIMENSIONS (IN)			SHIP WGT (LBS)
		@ +25° F Evap	@ -20° F Evap	230V (K)	460V (M)	575V (P)	SEALED	REPLACEABLE CORE	SUCTION ACCUMULATOR	OIL SEPARATOR	PRESSURE FAN CYCLING	HEATED AND INSULATED RECEIVER			L	W	H	
CDB-0101MS*	(2) 4FES-3	46.5	-	\$31,210	\$31,210	\$31,870	\$2,220	\$3,500	\$3,570	\$6,510	N/A	\$4,160	\$4,430	F	124.75	45.25	51.50	1,812
CDB-0151MS	(2) 4EES-4	69.3	-	\$39,480	\$39,480	\$40,340	\$2,220	\$3,500	\$3,570	\$6,510	\$1,080	\$4,160	\$4,430	G	178.75	45.25	51.50	2,371
CDB-0161MS	(2) 4DES-5	71.0	-	\$42,800	\$42,800	\$43,520	\$2,220	\$3,500	\$3,570	\$6,510	\$1,080	\$4,160	\$4,430	G	178.75	45.25	51.50	2,440
CDB-0181MS*	(2) 4CES-6	92.9	-	\$48,710	\$48,710	\$49,740	\$2,220	\$3,500	\$3,570	\$6,510	\$1,080	\$4,160	\$4,430	G	178.75	45.25	51.50	2,729
CDB-0201MS*	(2) 4TES-9	112.2	-	\$55,410	\$55,410	\$56,600	\$2,220	\$3,500	\$3,570	\$6,510	\$1,720	\$4,160	\$6,020	H	232.75	45.25	51.50	3,077
CDB-0241MS	(2) 4PES-12	131.8	-	\$59,850	\$59,850	\$61,130	\$2,220	\$3,500	\$3,570	\$6,510	\$1,720	\$4,160	\$6,020	H	232.75	45.25	51.50	3,079
CDB-0301MS*	(2) 4NES-14	152.7	-	\$66,610	\$66,610	\$67,990	\$2,220	\$3,500	\$3,570	\$6,510	\$1,720	\$4,410	\$6,020	H	232.75	45.25	51.50	3,277
CDB-0401MS	(2) 4JE-15	177.2	-	\$79,170	\$79,170	\$80,020	\$2,220	\$3,500	\$3,570	\$6,710	\$1,720	\$4,410	\$8,700	I	146.00	90.50	51.50	3,515
CDB-0501MS	(2) 4HE-18	210.1	-	\$84,830	\$84,830	\$86,630	\$2,220	\$3,500	\$3,570	\$6,710	\$3,010	\$4,580	\$8,700	J	200.00	90.50	51.50	4,329
CDB-0601MS	(2) 4GE-23	238.4	-	\$99,210	\$99,210	\$101,110	\$2,220	\$3,500	\$3,570	\$6,710	\$3,010	\$4,700	\$8,700	J	200.00	90.50	51.50	4,474
CDB-0701MS	(2) 6HE-28	312.0	-	\$115,830	\$115,830	\$118,230	\$2,220	\$3,500	\$3,570	\$8,390	\$4,290	\$4,700	\$13,340	K	254.00	90.50	51.50	5,329
CDB-0801MS	(2) 6GE-34	360.0	-	\$118,660	\$118,660	\$121,130	\$2,220	\$3,500	\$4,650	\$8,390	\$4,290	\$4,870	\$14,810	K	254.00	90.50	51.50	5,895
CDB-0301LQ	(2) 4HE-18	64.7	-	\$68,530	\$68,530	\$70,890	\$2,220	\$3,500	INCLUDED	\$6,710	\$1,720	\$4,410	\$8,700	H	232.75	45.25	51.50	3,212
CDB-0441LQ*	(2) 4GE-23	74.2	-	\$76,270	\$76,270	\$77,890	\$2,220	\$3,500	INCLUDED	\$6,710	\$1,720	\$4,410	\$8,700	H	232.75	45.25	51.50	3,261
CDB-0541LQ*	(2) 6HE-28	94.2	-	\$85,900	\$85,900	\$87,710	\$2,220	\$3,500	INCLUDED	\$6,710	\$1,720	\$4,410	\$11,570	I	146.00	90.50	51.50	3,831
CDB-0601LQ	(2) 6GE-34	111.1	-	\$98,810	\$98,810	\$100,910	\$2,220	\$3,500	INCLUDED	\$6,710	\$3,010	\$4,410	\$13,220	J	200.00	90.50	51.50	4,452
CDB-0301LS	(2) 4HE-18	70.3	-	\$65,260	\$65,260	\$66,710	\$2,220	\$3,500	INCLUDED	\$6,710	\$1,720	\$4,410	\$8,700	H	232.75	45.25	51.50	3,212
CDB-0441LS*	(2) 4GE-23	80.7	-	\$73,790	\$73,790	\$75,370	\$2,220	\$3,500	INCLUDED	\$6,710	\$1,720	\$4,410	\$8,700	H	232.75	45.25	51.50	3,261
CDB-0541LS*	(2) 6HE-28	102.4	-	\$82,510	\$82,510	\$84,250	\$2,220	\$3,500	INCLUDED	\$6,710	\$1,720	\$4,410	\$11,570	I	146.00	90.50	51.50	3,788
CDB-0601LS	(2) 6GE-34	120.8	-	\$95,400	\$95,400	\$97,450	\$2,220	\$3,500	INCLUDED	\$6,710	\$3,010	\$4,410	\$13,220	J	200.00	90.50	51.50	4,527

OVERSIZED CONDENSER	COMPRESSOR MODEL	95° F AMBIENT CAPACITY (MBH)		BASE UNIT LIST PRICE			SUCTION FILTER		OPTIONS				4 YEAR EXTENDED COMPRESSOR WARRANTY	UNIT SIZE	DIMENSIONS (IN)			SHIP WGT (LBS)
		@ +25° F Evap	@ -20° F Evap	230V (K)	460V (M)	575V (P)	SEALED	REPLACEABLE CORE	SUCTION ACCUMULATOR	OIL SEPARATOR	PRESSURE FAN CYCLING	HEATED AND INSULATED RECEIVER			L	W	H	
CDB-0162MS	(2) 4DES-5	72.4	-	\$43,620	\$43,620	\$44,510	\$2,220	\$3,500	\$3,570	\$6,510	\$1,080	\$4,160	\$4,430	G	178.75	45.25	51.50	2,495
CDB-0202MS	(2) 4TES-9	109.0	-	\$53,200	\$53,200	\$54,290	\$2,220	\$3,500	\$3,570	\$6,510	\$1,080	\$4,160	\$6,020	G	178.75	45.25	51.50	2,719
CDB-0402MS	(2) 4JE-15	172.6	-	\$67,560	\$67,560	\$68,070	\$2,220	\$3,500	\$3,570	\$6,710	\$1,720	\$4,160	\$8,700	H	232.75	45.25	51.50	3,256
CDB-0702MS	(2) 6HE-28	304.7	-	\$97,790	\$97,790	\$99,770	\$2,220	\$3,500	\$3,570	\$8,390	\$3,010	\$4,580	\$13,340	J	200.00	90.50	51.50	4,494
CDB-0602LQ	(2) 6GE-34	109.0	-	\$92,820	\$92,820	\$94,690	\$2,220	\$3,500	INCLUDED	\$6,710	\$1,720	\$4,410	\$13,220	I	146.00	90.50	51.50	3,895
CDB-0602LS	(2) 6GE-34	118.5	-	\$89,440	\$89,440	\$91,250	\$2,220	\$3,500	INCLUDED	\$6,710	\$1,720	\$4,410	\$13,220	I	146.00	90.50	51.50	3,895

MS - Medium Temperature, R-404A Models Would Be Selected for R-407A (MQ), R-448A (MT), R-449A (MR), R-407F (MF), or R-507A (MP).

LQ - Low Temperature, R-407A Models Would Be Selected for Applications with R-448A (LT), R-449A (LR), or R-407F (LF) and Include Liquid Injection for Discharge Temperature Control.

LS - Low Temperature, R-404A Models Would Be Selected for Applications with R-507A (LP), and Would NOT Include Liquid Injection for Discharge Temperature Control.

Model Numbers with "2" Before the L or M Temperature Range Designation or an "\*" at the end have a condenser that meets California Title 24 efficiency requirements.



# LARGE AIR-COOLED CONDENSING UNIT PRODUCT DESCRIPTION

Version: September 2023

## CDE - DUAL COMPRESSOR MODELS WITH BITZER ECOLINE COMPRESSORS (Motor 1)

### TWO INDEPENDENT REFRIGERANT and ELECTRICAL CIRCUITS WITH SINGLE POINT POWER FEED

STANDARD CONDENSER	COMPRESSOR MODEL	95° F AMBIENT CAPACITY (MBH)		BASE UNIT LIST PRICE			SUCTION FILTER		OPTIONS				4 YEAR EXTENDED COMPRESSOR WARRANTY	UNIT SIZE	DIMENSIONS (IN)			SHIP WGT (LBS)
		@ +25° F Evap	@ -20° F Evap	230V (K)	460V (M)	575V (P)	SEALED	REPLACEABLE CORE	SUCTION ACCUMULATOR	OIL SEPARATOR	PRESSURE FAN CYCLING	HEATED AND INSULATED RECEIVER			L	W	H	
CDE-0100MS	(2) 4FES-5	43.9	-	\$28,170	\$28,170	\$28,770	\$2,220	\$3,500	\$3,570	\$6,510	N/A	\$4,160	\$4,430	F	124.75	45.25	51.50	1,748
CDE-0150MS*	(2) 4EES-6	66.0	-	\$38,210	\$38,210	\$39,010	\$2,220	\$3,500	\$3,570	\$6,510	N/A	\$4,160	\$4,430	F	124.75	45.25	51.50	1,839
CDE-0180MS	(2) 4DES-7	69.3	-	\$41,040	\$41,040	\$41,950	\$2,220	\$3,500	\$3,570	\$6,510	\$1,080	\$4,160	\$4,430	G	178.75	45.25	51.50	2,378
CDE-0180MS*	(2) 4CES-9	88.5	-	\$45,360	\$45,360	\$46,330	\$2,220	\$3,500	\$3,570	\$6,510	\$1,080	\$4,160	\$5,630	G	178.75	45.25	51.50	2,533
CDE-0200MS	(2) 4TES-12	106.9	-	\$51,220	\$51,220	\$52,300	\$2,220	\$3,500	\$3,570	\$6,510	\$1,080	\$4,160	\$6,020	G	178.75	45.25	51.50	2,620
CDE-0240MS*	(2) 4PES-15	128.1	-	\$57,480	\$57,480	\$58,700	\$2,220	\$3,500	\$3,570	\$6,510	\$1,080	\$4,160	\$6,020	G	178.75	45.25	51.50	2,725
CDE-0300MS	(2) 4NES-20	150.0	-	\$61,080	\$61,080	\$62,360	\$2,220	\$3,500	\$3,570	\$6,510	\$1,720	\$4,160	\$6,020	H	232.75	45.25	51.50	3,115
CDE-0400MS	(2) 4JE-22	169.2	-	\$63,040	\$63,040	\$63,560	\$2,220	\$3,500	\$3,570	\$6,710	\$1,720	\$4,160	\$8,700	H	232.75	45.25	51.50	3,168
CDE-0500MS*	(2) 4HE-25	195.7	-	\$73,700	\$73,700	\$74,450	\$2,220	\$3,500	\$3,570	\$6,710	\$1,720	\$4,410	\$8,700	H	232.75	45.25	51.50	3,381
CDE-0600MS*	(2) 4GE-30	231.9	-	\$83,120	\$83,120	\$84,870	\$2,220	\$3,500	\$3,570	\$6,710	\$1,720	\$4,580	\$8,700	I	146.00	90.50	51.50	3,776
CDE-0700MS	(2) 6HE-35	298.7	-	\$92,830	\$92,830	\$94,820	\$2,220	\$3,500	\$3,570	\$8,390	\$3,010	\$4,580	\$13,340	J	200.00	90.50	51.50	4,319
CDE-0800MS*	(2) 6GE-40	344.7	-	\$104,540	\$104,540	\$106,740	\$2,220	\$3,500	\$4,650	\$8,390	\$3,010	\$4,700	\$14,810	J	200.00	90.50	51.50	4,942
CDE-0300LQ*	(2) 4HE-25	60.6	60.6	\$65,850	\$65,850	\$67,320	\$2,220	\$3,500	INCLUDED	\$6,710	\$1,720	\$4,160	\$8,700	G	178.75	45.25	51.50	2,719
CDE-0440LQ	(2) 4GE-30	71.7	71.7	\$72,940	\$72,940	\$74,490	\$2,220	\$3,500	INCLUDED	\$6,710	\$1,720	\$4,160	\$8,700	H	232.75	45.25	51.50	3,167
CDE-0540LQ*	(2) 6HE-35	90.9	90.9	\$81,140	\$81,140	\$82,850	\$2,220	\$3,500	INCLUDED	\$6,710	\$1,720	\$4,410	\$11,570	H	232.75	45.25	51.50	3,452
CDE-0600LQ	(2) 6GE-40	106.9	106.9	\$88,580	\$88,580	\$90,450	\$2,220	\$3,500	INCLUDED	\$6,710	\$1,720	\$4,410	\$13,220	I	146.00	90.50	51.50	3,688
CDE-0300LS*	(2) 4HE-25	65.9	65.9	\$62,460	\$62,460	\$63,910	\$2,220	\$3,500	INCLUDED	\$6,710	\$1,720	\$4,160	\$8,700	G	178.75	45.25	51.50	2,719
CDE-0440LS	(2) 4GE-30	77.9	77.9	\$69,560	\$69,560	\$71,010	\$2,220	\$3,500	INCLUDED	\$6,710	\$1,720	\$4,160	\$8,700	H	232.75	45.25	51.50	3,179
CDE-0540LS*	(2) 6HE-35	98.8	98.8	\$77,770	\$77,770	\$79,390	\$2,220	\$3,500	INCLUDED	\$6,710	\$1,720	\$4,410	\$11,570	H	232.75	45.25	51.50	3,477
CDE-0600LS	(2) 6GE-40	116.2	116.2	\$85,200	\$85,200	\$87,010	\$2,220	\$3,500	INCLUDED	\$6,710	\$1,720	\$4,410	\$13,220	I	146.00	90.50	51.50	3,765

OVERSIZED CONDENSER	COMPRESSOR MODEL	95° F AMBIENT CAPACITY (MBH)		BASE UNIT LIST PRICE			SUCTION FILTER		OPTIONS				4 YEAR EXTENDED COMPRESSOR WARRANTY	UNIT SIZE	DIMENSIONS (IN)			SHIP WGT (LBS)
		@ +25° F Evap	@ -20° F Evap	230V (K)	460V (M)	575V (P)	SEALED	REPLACEABLE CORE	SUCTION ACCUMULATOR	OIL SEPARATOR	PRESSURE FAN CYCLING	HEATED AND INSULATED RECEIVER			L	W	H	
CDE-0101MS*	(2) 4FES-5	46.5	-	\$31,480	\$31,480	\$32,140	\$2,220	\$3,500	\$3,570	\$6,510	N/A	\$4,160	\$4,430	F	124.75	45.25	51.50	1,812
CDE-0151MS	(2) 4EES-6	69.3	-	\$39,750	\$39,750	\$40,610	\$2,220	\$3,500	\$3,570	\$6,510	\$1,080	\$4,160	\$4,430	G	178.75	45.25	51.50	2,371
CDE-0181MS	(2) 4DES-7	71.0	-	\$42,870	\$42,870	\$43,800	\$2,220	\$3,500	\$3,570	\$6,510	\$1,080	\$4,160	\$4,430	G	178.75	45.25	51.50	2,440
CDE-0181MS*	(2) 4CES-9	92.9	-	\$48,980	\$48,980	\$50,010	\$2,220	\$3,500	\$3,570	\$6,510	\$1,080	\$4,160	\$5,630	G	178.75	45.25	51.50	2,729
CDE-0201MS	(2) 4TES-12	112.2	-	\$55,680	\$55,680	\$56,870	\$2,220	\$3,500	\$3,570	\$6,510	\$1,720	\$4,160	\$6,020	H	232.75	45.25	51.50	3,077
CDE-0241MS	(2) 4PES-15	131.8	-	\$60,120	\$60,120	\$61,400	\$2,220	\$3,500	\$3,570	\$6,510	\$1,720	\$4,160	\$6,020	H	232.75	45.25	51.50	3,079
CDE-0301MS*	(2) 4NES-20	152.7	-	\$64,700	\$64,700	\$66,080	\$2,220	\$3,500	\$3,570	\$6,510	\$1,720	\$4,410	\$6,020	H	232.75	45.25	51.50	3,277
CDE-0401MS*	(2) 4JE-22	177.2	-	\$79,440	\$79,440	\$80,290	\$2,220	\$3,500	\$3,570	\$6,710	\$1,720	\$4,410	\$8,700	I	146.00	90.50	51.50	3,515
CDE-0501MS	(2) 4HE-25	210.1	-	\$85,100	\$85,100	\$86,900	\$2,220	\$3,500	\$3,570	\$6,710	\$3,010	\$4,580	\$8,700	J	200.00	90.50	51.50	4,329
CDE-0601MS	(2) 4GE-30	238.4	-	\$89,480	\$89,480	\$91,380	\$2,220	\$3,500	\$3,570	\$6,710	\$3,010	\$4,700	\$8,700	J	200.00	90.50	51.50	4,474
CDE-0701MS	(2) 6HE-35	312.0	-	\$116,100	\$116,100	\$118,500	\$2,220	\$3,500	\$3,570	\$8,390	\$4,290	\$4,700	\$13,340	K	254.00	90.50	51.50	5,329
CDE-0801MS	(2) 6GE-40	360.0	-	\$118,930	\$118,930	\$121,400	\$2,220	\$3,500	\$4,650	\$8,390	\$4,290	\$4,870	\$14,810	K	254.00	90.50	51.50	5,895
CDE-0301LQ	(2) 4HE-25	64.7	64.7	\$68,150	\$68,150	\$69,690	\$2,220	\$3,500	INCLUDED	\$6,710	\$1,720	\$4,160	\$8,700	H	232.75	45.25	51.50	3,212
CDE-0441LQ*	(2) 4GE-30	74.2	74.2	\$76,550	\$76,550	\$78,160	\$2,220	\$3,500	INCLUDED	\$6,710	\$1,720	\$4,410	\$8,700	H	232.75	45.25	51.50	3,261
CDE-0541LQ*	(2) 6HE-35	94.2	94.2	\$86,170	\$86,170	\$87,980	\$2,220	\$3,500	INCLUDED	\$6,710	\$1,720	\$4,410	\$11,570	I	146.00	90.50	51.50	3,431
CDE-0601LQ	(2) 6GE-40	111.1	111.1	\$99,080	\$99,080	\$101,180	\$2,220	\$3,500	INCLUDED	\$6,710	\$3,010	\$4,410	\$13,220	J	200.00	90.50	51.50	4,852
CDE-0301LS	(2) 4HE-25	70.3	70.3	\$64,760	\$64,760	\$66,210	\$2,220	\$3,500	INCLUDED	\$6,710	\$1,720	\$4,330	\$8,700	H	232.75	45.25	51.50	3,212
CDE-0441LS*	(2) 4GE-30	80.7	80.7	\$74,070	\$74,070	\$75,640	\$2,220	\$3,500	INCLUDED	\$6,710	\$1,720	\$4,410	\$8,700	H	232.75	45.25	51.50	3,261
CDE-0541LS*	(2) 6HE-35	102.4	102.4	\$82,780	\$82,780	\$84,530	\$2,220	\$3,500	INCLUDED	\$6,710	\$1,720	\$4,410	\$11,570	I	146.00	90.50	51.50	3,831
CDE-0601LS	(2) 6GE-40	120.8	120.8	\$95,680	\$95,680	\$97,720	\$2,220	\$3,500	INCLUDED	\$6,710	\$3,010	\$4,410	\$13,220	J	200.00	90.50	51.50	4,452

OVERSIZED CONDENSER	COMPRESSOR MODEL	95° F AMBIENT CAPACITY (MBH)		BASE UNIT LIST PRICE			SUCTION FILTER		OPTIONS				4 YEAR EXTENDED COMPRESSOR WARRANTY	UNIT SIZE	DIMENSIONS (IN)			SHIP WGT (LBS)
		@ +25° F Evap	@ -20° F Evap	230V (K)	460V (M)	575V (P)	SEALED	REPLACEABLE CORE	SUCTION ACCUMULATOR	OIL SEPARATOR	PRESSURE FAN CYCLING	HEATED AND INSULATED RECEIVER			L	W	H	
CDE-0162MS	(2) 4DES-7	72.4	-	\$43,890	\$43,890	\$44,780	\$2,220	\$3,500	\$3,570	\$6,510	\$1,080	\$4,160	\$4,430	G	178.75	45.25	51.50	2,495
CDE-0202MS	(2) 4TES-12	109.0	-	\$53,480	\$53,480	\$54,560	\$2,220	\$3,500	\$3,570	\$6,510	\$1,080	\$4,160	\$6,020	G	178.75	45.25	51.50	2,719
CDE-0402MS	(2) 4JE-22	172.6	-	\$65,650	\$65,650	\$66,160	\$2,220	\$3,500	\$3,570	\$6,710	\$1,720	\$4,160	\$8,700	H	232.75	45.25	51.50	3,256
CDE-0702MS	(2) 6HE-35	304.7	-	\$98,060	\$98,060	\$100,040	\$2,220	\$3,500	\$3,570	\$8,390	\$3,010	\$4,580	\$13,340	J	200.00	90.50	51.50	4,494
CDE-0602LQ	(2) 6GE-40	-	109.0	\$93,090	\$93,090	\$94,960	\$2,220	\$3,500	INCLUDED	\$6,710	\$1,720	\$4,410	\$13,220	I	146.00	90.50	51.50	3,895
CDE-0602LS	(2) 6GE-40	-	118.5	\$89,710	\$89,710	\$91,520	\$2,220	\$3,500	INCLUDED	\$6,710	\$1,720	\$4,410	\$13,220	I	146.00	90.50	51.50	3,895

MS - Medium Temperature, R-404A Models Would Be Selected for R-407A (MQ), R-448A (MT), R-449A (MR), R-407F (MF), or R-507A (MP).

LQ - Low Temperature, R-407A Models Would Be Selected for Applications with R-448A (LT), R-449A (LR), or R-407F (LF) and Include Liquid Injection for Discharge Temperature Control. L

S - Low Temperature, R-404A Models Would Be Selected for Applications with R-507A (LP), and Would NOT Include Liquid Injection for Discharge Temperature Control.

Model Numbers with "2" Before the L or M Temperature Range Designation or an "" at the end have a condenser that meets California Title 24 efficiency requirements.





# LARGE AIR-COOLED CONDENSING UNIT PRODUCT DESCRIPTION

Version: September 2023

## CPD - PARALLEL COMPRESSOR MODELS WITH COPELAND DISCUS COMPRESSORS

### ONE REFRIGERATION CIRCUIT WITH TWO PARALLEL PIPED COMPRESSORS and ONE ELECTRICAL CIRCUIT

STANDARD CONDENSER	COMPRESSOR MODEL	95° F AMBIENT CAPACITY (MBH)		BASE UNIT LIST PRICE			SUCTION FILTER		OPTIONS		4 YEAR EXTENDED COMPRESSOR WARRANTY	UNIT SIZE	DIMENSIONS (IN)			SHIP WGT (LBS)
		@ +25° F Evap	@ -20° F Evap	230V (K)	460V (M)	575V (P)	SEALED	REPLACEABLE CORE	PRESSURE FAN CYCLING	HEATED AND INSULATED RECEIVER			L	W	H	
CPD-0100MS	(2) 2DC3R53KE	88.1	-	\$59,070	\$59,070	\$60,240	\$1,100	\$1,670	\$1,720	\$2,090	\$5,010	F	124.75	45.25	51.50	1,793
CPD-0150MS*	(2) 2DL3R78KE	129.9	-	\$60,820	\$60,820	\$62,510	\$1,100	\$1,670	\$1,720	\$2,090	\$5,010	F	124.75	45.25	51.50	1,884
CPD-0160MS	(2) 2DA3R89KE	150.6	-	\$62,540	\$62,540	\$64,000	\$1,100	\$1,670	\$1,720	\$2,220	\$5,010	G	178.75	45.25	51.50	2,423
CPD-0180MS	(2) 3DA3R10ME	179.1	-	\$63,250	\$63,250	\$64,610	\$1,100	\$1,670	\$1,720	\$2,220	\$6,240	G	178.75	45.25	51.50	2,578
CPD-0200MS	(2) 3DB3R12ME	215.0	-	\$67,500	\$67,500	\$68,960	\$1,100	\$1,670	\$1,720	\$2,280	\$6,240	G	178.75	45.25	51.50	2,705
CPD-0240MS*	(2) 3DF3R15ME	249.7	-	\$68,020	\$68,020	-	\$1,100	\$1,670	\$1,720	\$2,280	\$6,240	G	178.75	45.25	51.50	2,770
CPD-0300MS	(2) 3DS3R17ME	287.6	-	\$72,580	\$72,580	\$75,380	\$1,100	\$1,670	\$1,720	\$2,350	\$6,240	H	232.75	45.25	51.50	3,160
CPD-0400MS	(2) 4DBNR20ME	344.3	-	\$76,150	\$76,150	\$77,320	\$1,100	\$1,670	\$1,720	\$2,350	\$10,370	H	232.75	45.25	51.50	3,213
CPD-0500MS*	(2) 4DHNR22ME	376.3	-	\$81,380	\$81,380	\$83,060	\$1,100	\$1,670	\$1,720	\$2,350	\$11,570	H	232.75	45.25	51.50	3,410
CPD-0600MS*	(2) 4DJNR28ME	459.6	-	\$90,790	\$90,790	\$92,660	\$1,100	\$1,670	\$1,080	\$2,450	\$13,220	I	146.00	90.50	51.50	3,833
CPD-0700MS	(2) 6DHNR35ME	561.0	-	\$100,490	\$100,490	\$102,610	\$1,100	\$1,670	\$1,720	\$2,450	\$13,340	J	200.00	90.50	51.50	4,397
CPD-0800MS*	(2) 6DJNR40ME	681.3	-	\$112,190	\$112,190	\$114,560	\$1,100	\$1,670	\$1,720	\$3,190	\$14,810	J	200.00	90.50	51.50	5,058
CPD-0300LQ*	(2) 4DKNF63KE	-	129.4	\$69,480	\$69,480	\$80,090	\$1,100	\$1,670	\$1,720	\$2,150	\$8,530	G	178.75	45.25	51.50	2,737
CPD-0440LQ	(2) 4DJNF76KE	-	156.3	\$80,600	\$80,600	\$82,270	\$1,100	\$1,670	\$1,720	\$2,150	\$9,040	H	232.75	45.25	51.50	3,164
CPD-0540LQ*	(2) 6DHNF93KE	-	188.8	\$88,800	\$88,800	\$90,650	\$1,100	\$1,670	\$1,720	\$2,350	\$11,570	H	232.75	45.25	51.50	3,512
CPD-0600LQ	(2) 6DJNF11ME	-	228.0	\$95,840	\$95,840	\$97,840	\$1,530	\$2,170	\$1,080	\$2,350	\$13,220	I	146.00	90.50	51.50	3,769
CPD-0300LS*	(2) 4DKNF63KE	-	142.2	\$65,680	\$65,680	\$76,220	\$1,530	\$1,670	\$1,720	\$2,150	\$8,530	G	178.75	45.25	51.50	2,737
CPD-0440LS*	(2) 4DJNF76KE	-	171.8	\$76,800	\$76,800	\$78,390	\$1,530	\$1,670	\$1,720	\$2,150	\$9,040	H	232.75	45.25	51.50	3,167
CPD-0540LS*	(2) 6DHNF93KE	-	212.1	\$85,010	\$85,010	\$86,780	\$1,530	\$1,670	\$1,720	\$2,350	\$11,570	H	232.75	45.25	51.50	3,453
CPD-0600LS	(2) 6DJNF11ME	-	237.5	\$92,450	\$92,450	\$94,380	\$1,530	\$2,170	\$1,080	\$2,350	\$13,220	I	146.00	90.50	51.50	3,772

OVERSIZED CONDENSER	COMPRESSOR MODEL	95° F AMBIENT CAPACITY (MBH)		BASE UNIT LIST PRICE			SUCTION FILTER		OPTIONS		4 YEAR EXTENDED COMPRESSOR WARRANTY	UNIT SIZE	DIMENSIONS (IN)			SHIP WGT (LBS)
		@ +25° F Evap	@ -20° F Evap	230V (K)	460V (M)	575V (P)	SEALED	REPLACEABLE CORE	PRESSURE FAN CYCLING	HEATED AND INSULATED RECEIVER			L	W	H	
CPD-0101MS*	(2) 2DC3R53KE	91.6	-	\$59,900	\$59,900	\$61,070	\$1,100	\$1,670	\$1,720	\$2,090	\$5,010	F	124.75	45.25	51.50	1,857
CPD-0151MS	(2) 2DL3R78KE	134.2	-	\$62,280	\$62,280	\$63,970	\$1,100	\$1,670	\$1,720	\$2,220	\$5,010	G	178.75	45.25	51.50	2,416
CPD-0161MS	(2) 2DA3R89KE	153.4	-	\$63,540	\$63,540	\$65,000	\$1,100	\$1,670	\$1,720	\$2,220	\$5,010	G	178.75	45.25	51.50	2,485
CPD-0181MS*	(2) 3DA3R10ME	184.8	-	\$64,870	\$64,870	\$66,220	\$1,100	\$1,670	\$1,720	\$2,280	\$6,240	G	178.75	45.25	51.50	2,774
CPD-0201MS	(2) 3DB3R12ME	221.5	-	\$70,110	\$70,110	\$71,570	\$1,100	\$1,670	\$1,720	\$2,280	\$6,240	H	232.75	45.25	51.50	3,122
CPD-0241MS	(2) 3DF3R15ME	256.0	-	\$71,390	\$71,390	-	\$1,100	\$1,670	\$1,720	\$2,280	\$6,240	H	232.75	45.25	51.50	3,124
CPD-0301MS*	(2) 3DS3R17ME	290.1	-	\$73,430	\$73,430	\$76,230	\$1,100	\$1,670	\$1,720	\$2,350	\$6,240	H	232.75	45.25	51.50	3,322
CPD-0401MS	(2) 4DBNR20ME	360.6	-	\$81,750	\$81,750	\$82,930	\$1,100	\$1,670	\$1,720	\$2,450	\$10,370	I	146.00	90.50	51.50	3,560
CPD-0501MS	(2) 4DHNR22ME	407.5	-	\$83,820	\$83,820	\$85,610	\$1,100	\$1,670	\$1,720	\$2,450	\$11,570	J	200.00	90.50	51.50	4,389
CPD-0601MS	(2) 4DJNR28ME	479.4	-	\$97,140	\$97,140	\$99,170	\$1,100	\$1,670	\$1,720	\$2,550	\$13,220	J	200.00	90.50	51.50	4,448
CPD-0701MS	(2) 6DHNR35ME	609.0	-	\$109,200	\$109,200	\$111,450	\$1,530	\$2,170	\$2,370	\$3,190	\$13,340	K	254.00	90.50	51.50	5,412
CPD-0801MS*	(2) 6DJNR40ME	708.4	-	\$126,190	\$126,190	\$128,800	\$1,530	\$2,170	\$2,370	\$3,190	\$14,810	K	254.00	90.50	51.50	5,816
CPD-0301LQ	(2) 4DKNF63KE	-	135.5	\$71,780	\$71,780	\$82,390	\$1,100	\$1,670	\$1,720	\$2,150	\$8,530	H	232.75	45.25	51.50	3,320
CPD-0441LQ*	(2) 4DJNF76KE	-	160.7	\$84,230	\$84,230	\$85,960	\$1,100	\$1,670	\$1,720	\$2,350	\$9,040	H	232.75	45.25	51.50	3,320
CPD-0541LQ*	(2) 6DHNF93KE	-	193.9	\$93,840	\$93,840	\$95,780	\$1,100	\$1,670	\$1,080	\$2,450	\$11,570	I	146.00	90.50	51.50	3,823
CPD-0601LQ	(2) 6DJNF11ME	-	234.5	\$106,320	\$106,320	\$108,570	\$1,530	\$2,170	\$1,720	\$2,450	\$13,220	J	200.00	90.50	51.50	4,465
CPD-0301LS*	(2) 4DKNF63KE	-	150.6	\$67,980	\$67,980	\$78,520	\$1,530	\$2,170	\$1,080	\$2,150	\$8,530	H	232.75	45.25	51.50	3,320
CPD-0441LS*	(2) 4DJNF76KE	-	176.6	\$81,320	\$81,320	\$83,010	\$1,530	\$2,170	\$1,080	\$2,350	\$9,040	H	232.75	45.25	51.50	3,320
CPD-0541LS*	(2) 6DHNF93KE	-	217.9	\$90,030	\$90,030	\$91,920	\$1,530	\$2,170	\$1,080	\$2,450	\$11,570	I	146.00	90.50	51.50	3,872
CPD-0601LS	(2) 6DJNF11ME	-	246.8	\$102,940	\$102,940	\$105,120	\$1,530	\$2,170	\$1,720	\$2,450	\$13,220	J	200.00	90.50	51.50	4,566

OVERSIZED CONDENSER	COMPRESSOR MODEL	95° F AMBIENT CAPACITY (MBH)		BASE UNIT LIST PRICE			SUCTION FILTER		OPTIONS		4 YEAR EXTENDED COMPRESSOR WARRANTY	UNIT SIZE	DIMENSIONS (IN)			SHIP WGT (LBS)
		@ +25° F Evap	@ -20° F Evap	230V (K)	460V (M)	575V (P)	SEALED	REPLACEABLE CORE	PRESSURE FAN CYCLING	HEATED AND INSULATED RECEIVER			L	W	H	
CPD-0162MS	(2) 2DA3R89KE	156.5	-	\$64,160	\$64,160	\$65,610	\$1,100	\$1,670	\$1,720	\$2,280	\$5,010	G	178.75	45.25	51.50	2,544
CPD-0202MS	(2) 3DB3R12ME	219.3	-	\$66,740	\$66,740	\$68,200	\$1,100	\$1,670	\$1,720	\$2,280	\$6,240	G	178.75	45.25	51.50	2,764
CPD-0402MS	(2) 4DBNR20ME	351.2	-	\$79,490	\$79,490	\$80,660	\$1,100	\$1,670	\$1,720	\$2,350	\$10,370	H	232.75	45.25	51.50	3,301
CPD-0702MS	(2) 6DHNR35ME	572.2	-	\$105,710	\$105,710	\$107,820	\$1,100	\$1,670	\$1,720	\$2,450	\$13,340	J	200.00	90.50	51.50	4,572
CPD-0602LQ	(2) 6DJNF11ME	-	232.6	\$100,360	\$100,360	\$102,350	\$1,530	\$2,170	\$1,080	\$2,350	\$13,220	I	146.00	90.50	51.50	3,899
CPD-0602LS	(2) 6DJNF11ME	-	242.3	\$96,960	\$96,960	\$98,890	\$1,530	\$2,170	\$1,080	\$2,350	\$13,220	I	146.00	90.50	51.50	3,902

**ALL PARALLEL UNITS INCLUDE SUCTION ACCUMULATOR AND OIL SEPARATOR.**

MS - Medium Temperature, R-404A Models Would Be Selected for R-407A (MQ), R-448A (MT), R-449A (MR), R-407F (MF), or R-507A (MP).

LQ - Low Temperature, R-407A Models Would Be Selected for Applications with R-448A (LT), R-449A (LR), or R-407F (LF) and Include Liquid Injection for Discharge Temperature Control.

LS - Low Temperature, R-404A Models Would Be Selected for Applications with R-507A (LP), and Would NOT Include Liquid Injection for Discharge Temperature Control.

Model Numbers with "2" Before the L or M Temperature Range Designation or an "\*" at the end have a condenser that meets California Title 24 efficiency requirements.



# LARGE AIR-COOLED CONDENSING UNIT PRODUCT DESCRIPTION

Version: September 2023

## CPB - PARALLEL COMPRESSOR MODELS WITH BITZER ECOLINE COMPRESSORS (Motor 2)

### ONE REFRIGERATION CIRCUIT WITH TWO PARALLEL PIPED COMPRESSORS and ONE ELECTRICAL CIRCUIT

STANDARD CONDENSER	COMPRESSOR MODEL	95° F AMBIENT CAPACITY (MBH)		BASE UNIT LIST PRICE			SUCTION FILTER		OPTIONS		4 YEAR EXTENDED COMPRESSOR WARRANTY	UNIT SIZE	DIMENSIONS (IN)			SHIP WGT (LBS)
		@ +25° F Evap	@ -20° F Evap	230V (K)	460V (M)	575V (P)	SEALED	REPLACEABLE CORE	PRESSURE FAN CYCLING	HEATED AND INSULATED RECEIVER			L	W	H	
CPB-0100MS	(2) 4FES-3	87.7	-	\$57,170	\$57,170	\$58,850	\$1,100	\$1,670	\$1,720	\$2,090	\$4,430	F	124.75	45.25	51.50	1,793
CPB-0150MS*	(2) 4EES-4	132.0	-	\$58,340	\$58,340	\$60,220	\$1,100	\$1,670	\$1,720	\$2,090	\$4,430	F	124.75	45.25	51.50	1,884
CPB-0160MS	(2) 4DES-5	138.5	-	\$61,770	\$61,770	\$63,450	\$1,100	\$1,670	\$1,720	\$2,220	\$4,430	G	178.75	45.25	51.50	2,423
CPB-0180MS	(2) 4CES-6	177.1	-	\$64,810	\$64,810	\$66,490	\$1,100	\$1,670	\$1,720	\$2,220	\$4,430	G	178.75	45.25	51.50	2,578
CPB-0200MS	(2) 4TES-9	213.8	-	\$68,040	\$68,040	\$69,720	\$1,100	\$1,670	\$1,720	\$2,280	\$6,020	G	178.75	45.25	51.50	2,705
CPB-0240MS*	(2) 4PES-12	256.2	-	\$67,840	\$67,840	\$69,520	\$1,100	\$1,670	\$1,720	\$2,280	\$6,020	G	178.75	45.25	51.50	2,770
CPB-0300MS	(2) 4NES-14	300.1	-	\$73,780	\$73,780	\$75,460	\$1,100	\$1,670	\$1,720	\$2,350	\$6,020	H	232.75	45.25	51.50	3,160
CPB-0400MS	(2) 4JE-15	338.4	-	\$76,150	\$76,150	\$77,320	\$1,100	\$1,670	\$1,720	\$2,350	\$8,700	H	232.75	45.25	51.50	3,213
CPB-0500MS	(2) 4HE-18	391.4	-	\$81,380	\$81,380	\$83,060	\$1,100	\$1,670	\$1,720	\$2,350	\$8,700	H	232.75	45.25	51.50	3,410
CPB-0600MS	(2) 4GE-23	463.8	-	\$90,790	\$90,790	\$92,660	\$1,100	\$1,670	\$1,080	\$2,450	\$8,700	I	146.00	90.50	51.50	3,833
CPB-0700MS	(2) 6HE-28	597.4	-	\$100,490	\$100,490	\$102,610	\$1,100	\$1,670	\$1,720	\$2,450	\$13,340	J	200.00	90.50	51.50	4,397
CPB-0800MS	(2) 6GE-34	689.4	-	\$112,190	\$112,190	\$114,560	\$1,100	\$1,670	\$1,720	\$3,190	\$14,810	J	200.00	90.50	51.50	6,058
CPB-0300LQ*	(2) 4HE-18	-	121.3	\$73,770	\$73,770	\$75,440	\$1,100	\$1,670	\$1,720	\$2,150	\$8,700	G	178.75	45.25	51.50	2,737
CPB-0440LQ	(2) 4GE-23	-	143.3	\$80,600	\$80,600	\$82,270	\$1,100	\$1,670	\$1,720	\$2,150	\$8,700	H	232.75	45.25	51.50	3,164
CPB-0540LQ	(2) 6HE-28	-	181.8	\$88,800	\$88,800	\$90,650	\$1,100	\$1,670	\$1,720	\$2,350	\$11,570	H	232.75	45.25	51.50	3,512
CPB-0600LQ	(2) 6GE-34	-	213.9	\$95,840	\$95,840	\$97,840	\$1,530	\$2,170	\$1,080	\$2,350	\$13,220	I	146.00	90.50	51.50	3,769
CPB-0300LS*	(2) 4HE-18	-	131.8	\$69,970	\$69,970	\$71,570	\$1,530	\$2,170	\$1,720	\$2,150	\$8,700	G	178.75	45.25	51.50	2,737
CPB-0440LS	(2) 4GE-23	-	155.8	\$76,800	\$76,800	\$78,390	\$1,530	\$2,170	\$1,720	\$2,150	\$8,700	H	232.75	45.25	51.50	3,167
CPB-0540LS	(2) 6HE-28	-	197.6	\$85,010	\$85,010	\$86,780	\$1,530	\$2,170	\$1,720	\$2,350	\$11,570	H	232.75	45.25	51.50	3,453
CPB-0600LS	(2) 6GE-34	-	232.5	\$92,450	\$92,450	\$94,380	\$1,530	\$2,170	\$1,080	\$2,350	\$13,220	I	146.00	90.50	51.50	3,772

OVERSIZED CONDENSER	COMPRESSOR MODEL	95° F AMBIENT CAPACITY (MBH)		BASE UNIT LIST PRICE			SUCTION FILTER		OPTIONS		4 YEAR EXTENDED COMPRESSOR WARRANTY	UNIT SIZE	DIMENSIONS (IN)			SHIP WGT (LBS)
		@ +25° F Evap	@ -20° F Evap	230V (K)	460V (M)	575V (P)	SEALED	REPLACEABLE CORE	PRESSURE FAN CYCLING	HEATED AND INSULATED RECEIVER			L	W	H	
CPB-0101MS*	(2) 4FES-3	93.0	-	\$58,000	\$58,000	\$59,680	\$1,100	\$1,670	\$1,720	\$2,090	\$4,430	F	124.75	45.25	51.50	1,857
CPB-0151MS	(2) 4EES-4	138.5	-	\$59,800	\$59,800	\$61,480	\$1,100	\$1,670	\$1,720	\$2,220	\$4,430	G	178.75	45.25	51.50	2,416
CPB-0161MS	(2) 4DES-5	142.0	-	\$62,770	\$62,770	\$64,450	\$1,100	\$1,670	\$1,720	\$2,220	\$4,430	G	178.75	45.25	51.50	2,485
CPB-0181MS*	(2) 4CES-6	185.8	-	\$66,420	\$66,420	\$68,100	\$1,100	\$1,670	\$1,720	\$2,280	\$4,430	G	178.75	45.25	51.50	2,774
CPB-0201MS	(2) 4TES-9	224.4	-	\$70,640	\$70,640	\$72,320	\$1,100	\$1,670	\$1,720	\$2,280	\$6,020	H	232.75	45.25	51.50	3,122
CPB-0241MS	(2) 4PES-12	263.6	-	\$71,210	\$71,210	\$72,890	\$1,100	\$1,670	\$1,720	\$2,350	\$6,020	H	232.75	45.25	51.50	3,124
CPB-0301MS*	(2) 4NES-14	305.4	-	\$74,630	\$74,630	\$76,310	\$1,100	\$1,670	\$1,720	\$2,350	\$6,020	H	232.75	45.25	51.50	3,322
CPB-0401MS	(2) 4JE-15	354.4	-	\$81,860	\$81,860	\$83,540	\$1,100	\$1,670	\$1,720	\$2,450	\$8,700	I	146.00	90.50	51.50	3,560
CPB-0501MS	(2) 4HE-18	420.2	-	\$83,820	\$83,820	\$85,610	\$1,100	\$1,670	\$1,720	\$2,450	\$8,700	J	200.00	90.50	51.50	4,389
CPB-0601MS	(2) 4GE-23	476.8	-	\$97,140	\$97,140	\$99,170	\$1,100	\$1,670	\$1,720	\$2,550	\$8,700	J	200.00	90.50	51.50	4,448
CPB-0701MS	(2) 6HE-28	624.0	-	\$109,200	\$109,200	\$111,450	\$1,530	\$2,170	\$2,370	\$3,190	\$13,340	K	254.00	90.50	51.50	5,412
CPB-0801MS	(2) 6GE-34	720.0	-	\$126,190	\$126,190	\$128,800	\$1,530	\$2,170	\$2,370	\$3,190	\$14,810	K	254.00	90.50	51.50	5,816
CPB-0301LQ	(2) 4HE-18	-	129.4	\$76,070	\$76,070	\$77,740	\$1,100	\$1,670	\$1,720	\$2,150	\$8,700	H	232.75	45.25	51.50	3,320
CPB-0441LQ	(2) 4GE-23	-	148.4	\$84,230	\$84,230	\$85,960	\$1,100	\$1,670	\$1,720	\$2,350	\$8,700	H	232.75	45.25	51.50	3,320
CPB-0541LQ	(2) 6HE-28	-	188.4	\$93,840	\$93,840	\$95,780	\$1,100	\$1,670	\$1,080	\$2,450	\$11,570	I	146.00	90.50	51.50	3,823
CPB-0601LQ	(2) 6GE-34	-	222.3	\$106,320	\$106,320	\$108,570	\$1,530	\$2,170	\$1,720	\$2,450	\$13,220	J	200.00	90.50	51.50	4,465
CPB-0301LS	(2) 4HE-18	-	140.7	\$72,270	\$72,270	\$73,840	\$1,100	\$2,260	\$1,720	\$2,150	\$8,700	H	232.75	45.25	51.50	3,320
CPB-0441LS	(2) 4GE-23	-	197.6	\$81,320	\$81,320	\$83,010	\$1,530	\$2,170	\$1,080	\$2,350	\$8,700	H	232.75	45.25	51.50	3,320
CPB-0541LS	(2) 6HE-28	-	204.8	\$90,030	\$90,030	\$91,920	\$1,530	\$2,170	\$1,080	\$2,450	\$11,570	I	146.00	90.50	51.50	3,823
CPB-0601LS	(2) 6GE-34	-	241.6	\$102,940	\$102,940	\$105,120	\$1,530	\$2,170	\$1,720	\$2,450	\$13,220	J	200.00	90.50	51.50	4,465

OVERSIZED CONDENSER	COMPRESSOR MODEL	95° F AMBIENT CAPACITY (MBH)		BASE UNIT LIST PRICE			SUCTION FILTER		OPTIONS		4 YEAR EXTENDED COMPRESSOR WARRANTY	UNIT SIZE	DIMENSIONS (IN)			SHIP WGT (LBS)
		@ +25° F Evap	@ -20° F Evap	230V (K)	460V (M)	575V (P)	SEALED	REPLACEABLE CORE	PRESSURE FAN CYCLING	HEATED AND INSULATED RECEIVER			L	W	H	
CPB-0162MS	(2) 4DES-5	144.8	-	\$63,390	\$63,390	\$65,070	\$1,100	\$1,670	\$1,720	\$2,280	\$4,430	G	178.75	45.25	51.50	2,544
CPB-0202MS	(2) 4TES-9	218.1	-	\$67,270	\$67,270	\$68,950	\$1,100	\$1,670	\$1,720	\$2,280	\$6,020	G	178.75	45.25	51.50	2,764
CPB-0402MS	(2) 4JE-15	345.2	-	\$79,590	\$79,590	\$81,270	\$1,100	\$1,670	\$1,720	\$2,350	\$8,700	H	232.75	45.25	51.50	3,301
CPB-0702MS	(2) 6HE-28	609.3	-	\$105,710	\$105,710	\$107,820	\$1,100	\$1,670	\$1,720	\$2,450	\$13,340	J	200.00	90.50	51.50	4,572
CPB-0602LQ	(2) 6GE-34	-	218.2	\$100,360	\$100,360	\$102,350	\$1,530	\$2,170	\$1,080	\$2,350	\$13,220	I	146.00	90.50	51.50	3,899
CPB-0602LS	(2) 6GE-34	-	237.2	\$96,960	\$96,960	\$98,890	\$1,530	\$2,170	\$1,080	\$2,350	\$13,220	I	146.00	90.50	51.50	3,902

#### ALL PARALLEL UNITS INCLUDE SUCTION ACCUMULATOR AND OIL SEPARATOR.

MS - Medium Temperature, R-404A Models Would Be Selected for R-407A (MQ), R-448A (MT), R-449A (MR), R-407F (MF), or R-507A (MP).

LQ - Low Temperature, R-407A Models Would Be Selected for Applications with R-448A (LT), R-449A (LR), or R-407F (LF) and Include Liquid Injection for Discharge Temperature Control.

LS - Low Temperature, R-404A Models Would Be Selected for Applications with R-507A (LP), and Would NOT Include Liquid Injection for Discharge Temperature Control.

Model Numbers with "2" Before the L or M Temperature Range Designation or an "" at the end have a condenser that meets California Title 24 efficiency requirements.

Prices, product availability, and specifications are subject to change without notice.



# LARGE AIR-COOLED CONDENSING UNIT PRODUCT DESCRIPTION

Version: September 2023

## CPE - PARALLEL COMPRESSOR MODELS WITH BITZER ECOLINE COMPRESSORS (Motor 1)

### ONE REFRIGERATION CIRCUIT WITH TWO PARALLEL PIPED COMPRESSORS and ONE ELECTRICAL CIRCUIT

STANDARD CONDENSER MODEL	COMPRESSOR MODEL BITZER ECOLINE	95° F AMBIENT CAPACITY (MBH)		BASE UNIT LIST PRICE			SUCTION FILTER		OPTIONS		4 YEAR EXTENDED COMPRESSOR WARRANTY	UNIT SIZE	DIMENSIONS (IN)			SHIP WGT (LBS)
		@ +25° F Evap	@ -20° F Evap	230V (K)	460V (M)	575V (P)	SEALED	REPLACEABLE CORE	PRESSURE FAN CYCLING	HEATED AND INSULATED RECEIVER			L	W	H	
CPE-0100MS	(2) 4FES-5	87.7	-	\$57,370	\$57,370	\$59,050	\$1,100	\$1,670	\$1,720	\$2,090	\$4,430	F	124.75	45.25	51.50	1,793
CPE-0150MS*	(2) 4EES-6	132.0	-	\$58,550	\$58,550	\$60,230	\$1,100	\$1,670	\$1,720	\$2,090	\$4,430	F	124.75	45.25	51.50	1,884
CPE-0160MS	(2) 4DES-7	138.5	-	\$62,360	\$62,360	\$64,040	\$1,100	\$1,670	\$1,720	\$2,220	\$4,430	G	178.75	45.25	51.50	2,423
CPE-0180MS	(2) 4CES-9	177.1	-	\$65,040	\$65,040	\$66,720	\$1,100	\$1,670	\$1,720	\$2,220	\$5,630	G	178.75	45.25	51.50	2,578
CPE-0200MS	(2) 4TES-12	213.8	-	\$68,740	\$68,740	\$70,420	\$1,100	\$1,670	\$1,720	\$2,280	\$6,020	G	178.75	45.25	51.50	2,705
CPE-0240MS*	(2) 4PES-15	256.2	-	\$68,550	\$68,550	\$70,230	\$1,100	\$1,670	\$1,720	\$2,280	\$6,020	G	178.75	45.25	51.50	2,770
CPE-0300MS	(2) 4NES-20	300.1	-	\$74,570	\$74,570	\$76,250	\$1,100	\$1,670	\$1,720	\$2,350	\$6,020	H	232.75	45.25	51.50	3,160
CPE-0400MS	(2) 4JE-22	338.4	-	\$77,120	\$77,120	\$78,800	\$1,100	\$1,670	\$1,720	\$2,350	\$8,700	H	232.75	45.25	51.50	3,213
CPE-0500MS	(2) 4HE-25	391.4	-	\$81,650	\$81,650	\$83,330	\$1,100	\$1,670	\$1,720	\$2,350	\$8,700	H	232.75	45.25	51.50	3,410
CPE-0600MS	(2) 4GE-30	463.8	-	\$91,070	\$91,070	\$92,940	\$1,100	\$1,670	\$1,080	\$2,450	\$8,700	I	146.00	90.50	51.50	3,833
CPE-0700MS	(2) 6HE-35	597.4	-	\$100,760	\$100,760	\$102,880	\$1,100	\$1,670	\$1,720	\$2,450	\$13,340	J	200.00	90.50	51.50	4,397
CPE-0800MS	(2) 6GE-40	689.4	-	\$112,470	\$112,470	\$114,830	\$1,100	\$1,670	\$1,720	\$3,190	\$14,810	J	200.00	90.50	51.50	5,058
CPE-0300LQ*	(2) 4HE-25	-	121.3	\$74,270	\$74,270	\$75,940	\$1,100	\$1,670	\$1,720	\$2,150	\$8,700	G	178.75	45.25	51.50	2,737
CPE-0440LQ	(2) 4GE-30	-	143.3	\$80,870	\$80,870	\$82,540	\$1,100	\$1,670	\$1,720	\$2,150	\$8,700	H	232.75	45.25	51.50	3,164
CPE-0540LQ	(2) 6HE-35	-	181.8	\$89,070	\$89,070	\$90,920	\$1,100	\$1,670	\$1,720	\$2,350	\$11,570	H	232.75	45.25	51.50	3,512
CPE-0600LQ	(2) 6GE-40	-	213.9	\$96,120	\$96,120	\$98,110	\$1,530	\$2,170	\$1,080	\$2,350	\$13,220	I	146.00	90.50	51.50	3,769
CPE-0300LS*	(2) 4HE-25	-	131.8	\$70,470	\$70,470	\$72,060	\$1,530	\$2,170	\$1,720	\$2,150	\$8,700	G	178.75	45.25	51.50	2,737
CPE-0440LS	(2) 4GE-30	-	155.8	\$77,070	\$77,070	\$78,670	\$1,530	\$2,170	\$1,720	\$2,150	\$8,700	H	232.75	45.25	51.50	3,167
CPE-0540LS	(2) 6HE-35	-	197.6	\$85,280	\$85,280	\$87,060	\$1,530	\$2,170	\$1,720	\$2,350	\$11,570	H	232.75	45.25	51.50	3,453
CPE-0600LS	(2) 6GE-40	-	232.5	\$92,730	\$92,730	\$94,660	\$1,530	\$2,170	\$1,080	\$2,350	\$13,220	I	146.00	90.50	51.50	3,772

OVERSIZED CONDENSER MODEL	COMPRESSOR MODEL BITZER ECOLINE	95° F AMBIENT CAPACITY (MBH)		BASE UNIT LIST PRICE			SUCTION FILTER		OPTIONS		4 YEAR EXTENDED COMPRESSOR WARRANTY	UNIT SIZE	DIMENSIONS (IN)			SHIP WGT (LBS)
		@ +25° F Evap	@ -20° F Evap	230V (K)	460V (M)	575V (P)	SEALED	REPLACEABLE CORE	PRESSURE FAN CYCLING	HEATED AND INSULATED RECEIVER			L	W	H	
CPE-0101MS*	(2) 4FES-5	93.0	-	\$58,200	\$58,200	\$59,880	\$1,100	\$1,670	\$1,720	\$2,090	\$4,430	F	124.75	45.25	51.50	1,857
CPE-0151MS	(2) 4EES-6	138.5	-	\$60,010	\$60,010	\$61,690	\$1,100	\$1,670	\$1,720	\$2,220	\$4,430	G	178.75	45.25	51.50	2,416
CPE-0161MS	(2) 4DES-7	144.8	-	\$63,360	\$63,360	\$65,040	\$1,100	\$1,670	\$1,720	\$2,220	\$4,430	G	178.75	45.25	51.50	2,485
CPE-0181MS*	(2) 4CES-9	185.8	-	\$66,650	\$66,650	\$68,330	\$1,100	\$1,670	\$1,720	\$2,280	\$5,630	G	178.75	45.25	51.50	2,774
CPE-0201MS	(2) 4TES-12	224.4	-	\$71,350	\$71,350	\$73,030	\$1,100	\$1,670	\$1,720	\$2,280	\$6,020	H	232.75	45.25	51.50	3,122
CPE-0241MS	(2) 4PES-15	263.6	-	\$71,930	\$71,930	\$73,610	\$1,100	\$1,670	\$1,720	\$2,350	\$6,020	H	232.75	45.25	51.50	3,124
CPE-0301MS*	(2) 4NES-20	305.4	-	\$75,420	\$75,420	\$77,100	\$1,100	\$1,670	\$1,720	\$2,350	\$6,020	H	232.75	45.25	51.50	3,322
CPE-0401MS	(2) 4JE-22	354.4	-	\$82,730	\$82,730	\$84,410	\$1,100	\$1,670	\$1,720	\$2,450	\$8,700	I	146.00	90.50	51.50	3,560
CPE-0501MS	(2) 4HE-25	420.2	-	\$84,090	\$84,090	\$85,880	\$1,100	\$1,670	\$1,720	\$2,450	\$8,700	J	200.00	90.50	51.50	4,389
CPE-0601MS	(2) 4GE-30	476.8	-	\$97,410	\$97,410	\$99,450	\$1,100	\$1,670	\$1,720	\$2,550	\$8,700	J	200.00	90.50	51.50	4,448
CPE-0701MS	(2) 6HE-35	624.0	-	\$109,470	\$109,470	\$111,720	\$1,530	\$2,170	\$2,370	\$3,190	\$13,340	K	254.00	90.50	51.50	5,412
CPE-0801MS	(2) 6GE-40	720.0	-	\$126,460	\$126,460	\$129,080	\$1,530	\$2,170	\$2,370	\$3,190	\$14,810	K	254.00	90.50	51.50	5,816
CPE-0301LQ	(2) 4HE-25	-	129.4	\$76,570	\$76,570	\$78,240	\$1,100	\$1,670	\$1,720	\$2,150	\$8,700	H	232.75	45.25	51.50	3,320
CPE-0441LQ	(2) 4GE-30	-	148.4	\$84,500	\$84,500	\$86,240	\$1,100	\$1,670	\$1,720	\$2,350	\$8,700	H	232.75	45.25	51.50	3,320
CPE-0541LQ	(2) 6HE-35	-	188.4	\$94,110	\$94,110	\$96,050	\$1,100	\$1,670	\$1,080	\$2,450	\$11,570	I	146.00	90.50	51.50	3,823
CPE-0601LQ	(2) 6GE-40	-	222.3	\$106,600	\$106,600	\$108,840	\$1,530	\$2,170	\$1,720	\$2,450	\$13,220	J	200.00	90.50	51.50	4,465
CPE-0301LS	(2) 4HE-25	-	140.7	\$72,770	\$72,770	\$74,360	\$1,100	\$2,260	\$1,720	\$2,150	\$8,700	H	232.75	45.25	51.50	3,320
CPE-0441LS	(2) 4GE-30	-	161.3	\$81,600	\$81,600	\$83,290	\$1,530	\$2,170	\$1,080	\$2,350	\$8,700	I	146.00	90.50	51.50	3,509
CPE-0541LS	(2) 6HE-35	-	204.8	\$90,300	\$90,300	\$92,190	\$1,530	\$2,170	\$1,080	\$2,450	\$11,570	I	146.00	90.50	51.50	3,872
CPE-0601LS	(2) 6GE-40	-	241.6	\$103,220	\$103,220	\$105,390	\$1,530	\$2,170	\$1,720	\$2,450	\$13,220	J	200.00	90.50	51.50	4,566

OVERSIZED CONDENSER MODEL	COMPRESSOR MODEL BITZER ECOLINE	95° F AMBIENT CAPACITY (MBH)		BASE UNIT LIST PRICE			SUCTION FILTER		OPTIONS		4 YEAR EXTENDED COMPRESSOR WARRANTY	UNIT SIZE	DIMENSIONS (IN)			SHIP WGT (LBS)
		@ +25° F Evap	@ -20° F Evap	230V (K)	460V (M)	575V (P)	SEALED	REPLACEABLE CORE	PRESSURE FAN CYCLING	HEATED AND INSULATED RECEIVER			L	W	H	
CPE-0162MS	(2) 4DES-7	144.8	-	\$63,980	\$63,980	\$65,660	\$1,100	\$1,670	\$1,720	\$2,280	\$4,430	G	178.75	45.25	51.50	2,544
CPE-0202MS	(2) 4TES-12	218.1	-	\$67,980	\$67,980	\$69,660	\$1,100	\$1,670	\$1,720	\$2,280	\$6,020	G	178.75	45.25	51.50	2,764
CPE-0402MS	(2) 4JE-22	345.2	-	\$80,460	\$80,460	\$82,140	\$1,100	\$1,670	\$1,720	\$2,350	\$8,700	H	232.75	45.25	51.50	3,301
CPE-0702MS	(2) 6HE-35	609.3	-	\$105,990	\$105,990	\$108,100	\$1,100	\$1,670	\$1,720	\$2,450	\$13,340	J	200.00	90.50	51.50	4,572
CPE-0602LQ	(2) 6GE-40	-	218.2	\$100,630	\$100,630	\$102,630	\$1,530	\$2,170	\$1,080	\$2,350	\$13,220	I	146.00	90.50	51.50	3,899
CPE-0602LS	(2) 6GE-40	-	237.2	\$97,230	\$97,230	\$99,160	\$1,530	\$2,170	\$1,080	\$2,350	\$13,220	I	146.00	90.50	51.50	3,902

**ALL PARALLEL UNITS INCLUDE SUCTION ACCUMULATOR AND OIL SEPARATOR.**

MS - Medium Temperature, R-404A Models Would Be Selected for R-407A (MQ), R-448A (MT), R-449A (MR), R-407F (MF), or R-507A (MP).

LQ - Low Temperature, R-407A Models Would Be Selected for Applications with R-448A (LT), R-449A (LR), or R-407F (LF) and Include Liquid Injection for Discharge Temperature Control.

LS - Low Temperature, R-404A Models Would Be Selected for Applications with R-507A (LP), and Would NOT Include Liquid Injection for Discharge Temperature Control.

Model Numbers with "2" Before the L or M Temperature Range Designation or an "\*" at the end have a condenser that meets California Title 24 efficiency requirements.

Prices, product availability, and specifications are subject to change without notice.



# LARGE AIR-COOLED CONDENSING UNIT PRODUCT DESCRIPTION

Version: **September 2023**

## LARGE AIR-COOLED CONDENSING UNIT OPTIONS

Large Condensing Unit Electrical Options: MOUNTED DEFROST KITS	LIST PRICE *
A-1 - Air Defrost Kit (Defrost Kit Includes Defrost Time Clock Only)	\$500
A-2 - Air Defrost Kit (Includes Defrost Timer and Fused Fan Contactor)	\$860
E-1 - Electric Defrost Kit (For Use with 230/1 Fan and Heaters Only. Includes Electric Defrost Time Clock.)	\$500
E-2 - Electric Defrost Kit (Includes Electric Defrost Time Clock and Fused Heater Contactor up to 48 Amp.)	\$1,030
E-3 - Defrost Kit (Includes Electric Defrost Time Clock, Fused Heater and Contactor (Up to 48 Amp), and Fused Fan Contactor Up to 12 Amp).	\$1,520
E-4 - Defrost Kit (Includes Electric Defrost Time Clock, Fused Heater and Contactors (2 - 48 Amp Max Each), and Fused Fan Contactor Up to 48 Amp).	\$2,090
E-5 - Defrost Kit (Includes Electric Defrost Time Clock, Fused Heater and Contactors (3 - 48 Amp Max Each), and Fused Fan Contactor Up to 48 Amp).	\$2,650

\* **NOTE:** For Dual (CD) units, add option per circuit (2X).

ADDITIONAL OPTIONS	LIST PRICE *
115 Volt Control Circuit	\$560
Phase Loss Monitor	\$1,170
Anti-Short Cycle Time Delay Relay	\$830
Safe Start Time Delay (Bypass Low Pressure Control)	\$830
Current Sensing Relay	\$830
Oil Reservoir (For Use with Oil Separator)	\$2,700
VFD Power Distribution Block (Required with VFD Motors)	\$650
Compressor Cylinder Unloading (Per Unloader)	
4D - 1 @ 50%; 6D - 2 @ 67% / 33%; 8D - 2 @ 75% / 50%	\$1,070
Gauge Kit (High / Low / Oil Pressure)	\$1,690
** Liquid Line Solenoid Valve Installed (5 - 22 HP)**	\$1,070
** Liquid Line Solenoid Valve Installed (22 - 60 HP)**	\$1,410
Hot Gas Bypass to Evaporator (Capacity Control)	\$1,870
Hot Gas Bypass to Suction Line (Capacity Control)	\$3,110
Heat Reclaim Valve	C/F
Discharge Line Check Valve	C/F
Isolation Ball Valves	C/F
Hurricane-Rated Kits (All C-Series)	\$1,500

\* **NOTE:** For Dual (CD) units, add option per circuit (2X).

\*\* It is recommended that liquid line solenoid valves be installed at the evaporator, except in instances of very short line runs.

**C/F = Contact APPLICATION ENGINEERING For Special Requests.**

NON-FUSED DISCONNECT MOUNTED	LIST PRICE	FUSED DISCONNECT (SHIP LOOSE)	LIST PRICE 230V (K)	LIST PRICE 460V (M)
60 AMP	\$1,540	60 AMP	\$1,460	\$1,460
100 AMP	\$1,880	100 AMP	\$2,680	\$2,680
200 AMP	\$2,970	200 AMP	\$3,290	\$3,290
400 AMP	\$5,960	400 AMP	\$7,960	\$7,960
600+ AMP	C/F	600+ AMP	C/F	C/F

\* **NOTE:** For Dual (CD) units, there is a single point power connection.

Add amperage for entire unit (include evaporator and / or heater amps).

Select a single disconnect for amperage required.

**C/F = Contact APPLICATION ENGINEERING For Special Requests.**

CONDENSER FANS *	CONDENSER CLEAN OUT DOORS
1 X 1	\$160
1 X 2	\$320
1 X 3	\$470
1 X 4	\$630
1 X 5	\$790
1 X 6	\$950
2 X 2	\$320
2 X 3	\$630
2 X 4	\$950
2 X 5	\$1,260
2 X 6	\$1,580

\* For number of fans, refer to technical bulletin.

**For 230 V evaporators on 460 V condensing units, consult Application Engineering.**



# LARGE AIR-COOLED CONDENSING UNIT PRODUCT DESCRIPTION

Version: September 2023

## LARGE AIR-COOLED CONDENSING UNIT OPTIONS

### LARGE CONDENSING UNIT COIL COATING and SPECIAL FIN OPTION PRICING

UNIT MODEL	ELECTROFIN COATED COIL	POLYESTER FIN COATING *	COPPER FIN	UNIT MODEL	ELECTROFIN COATED COIL	POLYESTER FIN COATING *	COPPER FIN	UNIT MODEL	ELECTROFIN COATED COIL	POLYESTER FIN COATING *	COPPER FIN
CS*0100M*	\$1,250	\$1,040	\$2,730	CP*-0100M*	\$1,250	\$1,040	\$2,730	CD*0100M*	\$1,140	\$950	\$2,520
CS*0150M*	\$1,630	\$1,350	\$3,610	CP*-0150M*	\$1,280	\$1,070	\$2,820	CD*0150M*	\$1,280	\$1,070	\$2,820
CS*0200M*	\$1,630	\$1,350	\$3,610	CP*-0160M*	\$1,630	\$1,350	\$3,610	CD*0160M*	\$1,630	\$1,350	\$3,610
CS*0250M*	\$1,750	\$1,460	\$3,870	CP*-0180M*	\$1,630	\$1,350	\$3,610	CD*0180M*	\$1,630	\$1,350	\$3,610
CS*0300M*	\$1,820	\$1,520	\$4,030	CP*-0200M*	\$1,750	\$1,460	\$3,870	CD*0200M*	\$1,750	\$1,460	\$3,870
CS*0350M*	\$2,600	\$2,170	\$5,780	CP*-0240M*	\$2,240	\$1,870	\$4,940	CD*0240M*	\$2,240	\$1,870	\$4,940
CS*0400M*	\$2,600	\$2,170	\$5,780	CP*-0300M*	\$2,600	\$2,170	\$5,780	CD*0300M*	\$2,600	\$2,170	\$5,780
				CP*-0400M*	\$2,600	\$2,170	\$5,780	CD*0400M*	\$2,600	\$2,170	\$5,780
				CP*0500M*	\$3,160	\$2,640	\$7,010	CD*0500M*	\$3,160	\$2,640	\$7,010
CS*0101M*	\$1,630	\$1,350	\$3,610	CP*0600M*	\$3,500	\$2,920	\$7,700	CD*0600M*	\$3,500	\$2,920	\$7,700
CS*0151M*	\$1,750	\$1,460	\$3,870	CP*0700M*	\$4,890	\$4,070	\$10,730	CD*0700M*	\$5,200	\$4,340	\$11,490
CS*0201M*	\$1,750	\$1,460	\$3,870	CP*0800M*	\$5,400	\$4,490	\$11,890	CD*0800M*	\$5,400	\$4,490	\$11,890
CS*0251M*	\$2,600	\$2,170	\$5,780								
CS*0301M*	\$2,600	\$2,170	\$5,780	CP*-0101M*	\$1,280	\$1,070	\$2,820	CD*0101M*	\$1,280	\$1,070	\$2,820
CS*0351M*	\$3,500	\$2,920	\$7,700	CP*-0151M*	\$1,630	\$1,350	\$3,610	CD*0151M*	\$1,630	\$1,350	\$3,610
CS*0401M*	\$4,480	\$3,740	\$9,810	CP*-0161M*	\$1,750	\$1,460	\$3,870	CD*0161M*	\$1,750	\$1,460	\$3,870
				CP*-0181M*	\$2,240	\$1,870	\$4,940	CD*0181M*	\$2,240	\$1,870	\$4,940
				CP*-0201M*	\$2,600	\$2,170	\$5,780	CD*0201M*	\$2,600	\$2,170	\$5,780
CS*0102M*	\$1,280	\$1,070	\$2,820	CP*-0241M*	\$2,600	\$2,170	\$5,780	CD*0241M*	\$2,600	\$2,170	\$5,780
CS*0152M*	\$2,240	\$1,870	\$4,940	CP*-0301M*	\$3,160	\$2,640	\$7,010	CD*0301M*	\$3,160	\$2,640	\$7,010
CS*0202M*	\$2,240	\$1,870	\$4,940	CP*-0401M*	\$3,500	\$2,920	\$7,700	CD*0401M*	\$3,500	\$2,920	\$7,700
CS*0252M*	\$2,240	\$1,870	\$4,940	CP*0501M*	\$5,200	\$4,340	\$11,490	CD*0501M*	\$4,890	\$4,070	\$10,730
CS*0302M*	\$2,240	\$1,870	\$4,940	CP*0601M*	\$5,200	\$4,340	\$11,490	CD*0601M*	\$5,200	\$4,340	\$11,490
CS*0352M*	\$3,160	\$2,640	\$7,010	CP*0701M*	\$6,890	\$5,740	\$15,200	CD*0701M*	\$6,320	\$5,260	\$13,920
				CP*0801M*	\$8,300	\$6,910	\$18,290	CD*0801M*	\$8,300	\$6,910	\$18,290
CS*0150L*	\$1,280	\$1,070	\$2,820	CP*-0162M*	\$2,240	\$1,870	\$4,940	CD*-0162M*	\$2,240	\$1,870	\$4,940
CS*0220L*	\$1,630	\$1,350	\$3,610	CP*-0202M*	\$2,240	\$1,870	\$4,940	CD*-0202M*	\$2,240	\$1,870	\$4,940
CS*0270L*	\$1,750	\$1,460	\$3,870	CP*-0402M*	\$3,160	\$2,640	\$7,010	CD*-0402M*	\$3,160	\$2,640	\$7,010
CS*0300L*	\$1,820	\$1,520	\$4,030	CP*-0702M*	\$5,400	\$4,490	\$11,890	CD*-0702M*	\$5,400	\$4,490	\$11,890
CS*0151L*	\$1,630	\$1,350	\$3,610								
CS*0221L*	\$1,750	\$1,460	\$3,870	CP*0300L*	\$2,240	\$1,870	\$4,940	CD*0300L*	\$2,240	\$1,870	\$4,940
CS*0271L*	\$2,440	\$2,030	\$5,420	CP*0440L*	\$2,700	\$2,250	\$5,960	CD*0440L*	\$2,600	\$2,170	\$5,780
CS*0301L*	\$2,600	\$2,170	\$5,780	CP*0540L*	\$2,600	\$2,170	\$5,780	CD*0540L*	\$3,160	\$2,640	\$7,010
CS*0222L*	\$2,240	\$1,870	\$4,940	CP*0600L*	\$3,500	\$2,920	\$7,700	CD*0600L*	\$3,500	\$2,920	\$7,700
CS*0272L*	\$2,240	\$1,870	\$4,940	CP*0301L*	\$2,600	\$2,170	\$5,780	CD*0301L*	\$2,600	\$2,170	\$5,780
CS*0302L*	\$2,240	\$1,870	\$4,940	CP*0441L*	\$3,500	\$2,920	\$7,700	CD*0441L*	\$3,160	\$2,640	\$7,010
				CP*0541L*	\$4,480	\$3,740	\$9,810	CD*0541L*	\$4,480	\$3,740	\$9,810
				CP*0601L*	\$5,200	\$4,340	\$11,490	CD*0601L*	\$5,200	\$4,340	\$11,490
				CP*0602L*	\$4,480	\$3,740	\$9,810	CD*0602L*	\$4,480	\$3,740	\$9,810

\* Polyester fin coating is a vinyl coated fin material.

C/F = Contact APPLICATION ENGINEERING For Special Requests.



**LARGE AIR-COOLED CONDENSING UNIT RECEIVER SIZING**

**Receiver Volume = Flooding Charge + Liquid Line + Evaporator Charge**

The receiver pump down capacity (volume) should be compared to the required system charge whenever any of the following occurs:

- Multiple evaporators are matched to one compressor
- Any industrial evaporator is used (tubing larger than 1/2" OD)
- Liquid line is known to exceed 100 feet in length

**WINTER FLOODING CHARGE**

The additional refrigerant that must be added to the system to flood the condenser for winter operation. The charge can be obtained from Tables 4A - 4C.

**Winter Flooding Charge = Winter Charge - Summer Charge**

**LIQUID LINE CHARGE**

The weight of the refrigerant in a liquid line per 100 feet is shown in Table 1.

TABLE 1	LIQUID LINE REFRIGERANT WEIGHT DURING OPERATION					
	POUNDS PER 100 LINEAL FEET (TYPE "L" TUBING)					
REFRIGERANT	1/2" OD	5/8" OD	7/8" OD	1-1/8" OD	1-3/8" OD	1-5/8" OD
R-404A / R-507A	6.40	10.30	21.20	36.10	55.00	78.00
R-407A / R-407F	7.01	11.27	23.20	39.51	60.20	85.38
R-448A / R-449A	6.71	10.80	22.24	37.86	57.69	81.81
R-22	7.40	11.80	24.40	41.60	63.50	90.00

**EVAPORATOR CHARGE**

The evaporator liquid charge is estimated to be between 15% and 30% of the coil volume at the density of the refrigerant at the saturated suction temperature of the coil. See Table 2 for densities at varying temperatures.

**Evaporator Liquid Charge = Evaporator Coil Volume x 0.30 x Density**

TABLE 2	DENSITY TABLE (LB / CUBIC FEET)			
	LIQUID TEMPERATURE (°F)			
REFRIGERANT	-20° F	0° F	20° F	90° F
R-404A / R-507A	77.30	74.90	72.30	60.40
R-407A / R-407F	84.00	81.60	79.10	69.30
R-448A / R-449A	80.60	78.30	75.90	65.90
R-22	85.80	83.60	81.40	72.50





# LARGE AIR-COOLED CONDENSING UNIT PRODUCT DESCRIPTION

Version: **September 2023**

## LARGE AIR-COOLED CONDENSING UNIT RECEIVER SIZING *continued*

### RECEIVER SIZE and PRICING

If you require a larger receiver, see Table 3A for receiver capacity chart and pricing.

#### EXAMPLE:

Verify the receiver sizing for the following matched system:

- (1) CS\*-0300M4M Condensing Unit (10-3/4" x 48" Receiver, 114 lbs, R-404A @ 80%)
- (2) SM36A1498 (2.24 cu ft or 49.38 lbs R-404A each)

#### STEP 1: Determine the Winter Flooding Charge

From Table 4A (or CS IO Manual) calculate the difference in operating charge between -20° F and 70° F (adjust temperatures per the location):

*Winter Flooding Charge = 86.1 - 46.9 = 39.2 lbs R-404A*

#### STEP 2: Determine the Liquid Line Charge

If the actual length is not known, use the best judgment in determining length of liquid line. The liquid line should be sized based on line sizing charts for the application, not just the liquid line connection on the condensing unit. For this example 100 feet of 7/8" OD tubing is assumed:

*From Table 1, 21.2 lbs of R-404A*

#### STEP 3: Determine the Evaporator Charge

Evaporator coil volume is 2.24 cu ft. or 49.38 lbs R-404A. (Multiply cubic feet by percent of coil assumed to be liquid and the density (Table 2) of the liquid refrigerant @ 90° F.)

*Evaporator Liquid Charge = 49.38 lbs x 2 coils = 98.76 lbs R-404A*

#### STEP 4: Calculate the Total Charge Required for Receiver Volume

*Required Charge = 39.2 + 21.2 + 98.76 = 159.2 lbs R-404A*

Receiver volume is 114 lbs. Therefore the standard receiver is NOT adequate for full pump down. The correct receiver for the application from Table 3 is the 10-3/4" x 72" vessel.

*Larger Receiver Price Adder = "E" Receiver List Price \$3,120 - "D" receiver List Price \$1,850. For an option price, add of \$1,270.*

TABLE 3A

RECEIVER LETTER DESIGNATION	RECEIVER SIZE	RECEIVER CAPACITY AT 80% FULL				LIST PRICE	HEATED AND INSULATED LIST PRICE
		R-404A / R-507A	R-407A / F	R-448A / R-449A	R-22		
A	8-5/8" x 28"	43	47	45	48	\$1,480	\$1,860
B	8-5/8" x 48"	75	82	79	84	\$1,730	\$2,090
C	8-5/8" x 60"	94	103	99	106	\$1,890	\$2,220
D	10-3/4" x 48"	114	125	120	128	\$1,940	\$2,280
E	10-3/4" x 72"	174	190	183	195	\$3,280	\$2,350
F	10-3/4" x 96"	233	255	244	262	\$3,640	\$2,450
G	10-3/4" x 108"	263	288	276	295	\$4,220	\$2,550
H	10-3/4" x 144"	347	380	364	390	\$4,960	\$3,190

**The list price add for an OVERSIZED RECEIVER is obtained by subtracting the list price of the original receiver from the list price of the larger receiver.**

**To add HEAT AND INSULATED to a receiver, use the list price shown next to the corresponding receiver size.**

**SEE TABLE 3B FOR MAXIMUM RECEIVER SIZE PER CONDENSER LENGTH.**

TABLE 3B

CONDENSER DRAWING LETTER *	MAXIMUM LENGTH OF RECEIVER
CS-11	48"
CS-12	108"
CS-13	144"
CS-22	108"
CP-23	144"
CD-11	48"
CD-12	108"
CD-13	144"
CD-24	144"

\* See Unit Brochure





**LARGE AIR-COOLED CONDENSING UNIT  
PRODUCT DESCRIPTION**

Version: **September 2023**

**LARGE AIR-COOLED CONDENSING UNIT RECEIVER SIZING *continued***

**TABLE 4A: CS\* Unit Refrigerant Charge**

MODEL	REFRIGERANT	REFRIGERANT CHARGE (LBS)					
		ABOVE 70° F	50° F	30° F	10° F	0° F	BELOW -20° F
CS*0100MS	R-22	29.10	39.80	43.60	45.90	46.80	48.40
CS*0150MS	R-22	31.60	37.30	44.80	49.00	50.60	53.10
CS*0200MS	R-22	31.60	37.30	44.80	49.00	50.60	53.10
CS*0250MS	R-22	42.40	50.70	61.90	68.20	70.50	74.20
CS*0300MS	R-22	53.20	64.20	79.00	87.40	90.40	95.30
CS*0350MS	R-22	55.70	58.60	71.90	84.00	88.50	95.40
CS*0400MS	R-22	72.50	76.00	89.60	101.90	106.60	113.70
CS*0500MS	R-22	80.60	97.00	119.30	131.80	136.40	143.70
CS*0600MS	R-22	97.10	101.80	120.00	136.40	142.60	152.20
CS*0101MS	R-22	31.60	42.40	48.30	51.60	53.00	55.50
CS*0151MS	R-22	42.40	58.40	67.10	72.10	74.10	77.80
CS*0201MS	R-22	42.40	58.40	67.10	72.10	74.10	77.80
CS*0251MS	R-22	42.30	48.00	60.60	67.10	69.50	73.40
CS*0301MS	R-22	55.70	63.90	82.70	92.40	95.90	101.70
CS*0351MS	R-22	80.40	91.50	116.60	129.70	134.50	142.20
CS*0401MS	R-22	91.20	132.90	155.90	168.70	173.80	183.50
CS*0501MS	R-22	112.90	129.40	166.90	186.40	193.50	205.00
CS*0601MS	R-22	137.00	158.40	208.20	234.00	243.30	258.40
CS*0150LQ	R-22	31.80	52.00	55.00	56.90	57.70	59.20
CS*0220LQ	R-22	31.60	47.50	51.80	54.10	55.20	57.10
CS*0270LQ	R-22	36.90	60.30	66.60	70.00	71.50	74.10
CS*0300LQ	R-22	36.90	60.30	66.60	70.00	71.50	74.10
CS*0151LQ	R-22	36.90	60.30	66.60	70.00	71.50	74.10
CS*0221LQ	R-22	36.90	60.30	66.60	70.00	71.50	74.10
CS*0271LQ	R-22	36.80	53.80	62.10	66.50	68.40	71.40
CS*0301LQ	R-22	50.20	75.60	87.90	94.40	97.30	101.60
CS*0150MS	R-404A	27.90	33.40	40.20	44.20	45.70	48.10
CS*0200MS	R-404A	27.90	33.40	40.20	44.20	45.70	48.10
CS*0250MS	R-404A	37.40	45.40	55.60	61.50	63.60	67.10
CS*0300MS	R-404A	46.90	57.40	70.90	78.70	81.60	86.10
CS*0350MS	R-404A	42.20	45.00	53.30	60.90	63.80	68.20
CS*0400MS	R-404A	70.80	75.70	91.90	106.80	112.50	121.00
CS*0151MS	R-404A	37.40	52.10	60.20	64.90	66.80	70.30
CS*0201MS	R-404A	37.40	52.10	60.20	64.90	66.80	70.30
CS*0251MS	R-404A	49.00	57.10	74.10	83.20	86.50	91.80
CS*0301MS	R-404A	63.90	72.90	90.20	99.60	103.10	108.70
CS*0351MS	R-404A	71.00	100.20	116.30	125.70	129.40	136.40
CS*0401MS	R-404A	95.10	134.10	155.60	168.10	173.10	182.40
CS*0150LS	R-404A	29.50	43.70	47.50	50.00	50.80	52.50
CS*0220LS	R-404A	29.30	37.90	43.30	46.60	47.90	50.30
CS*0270LS	R-404A	39.50	52.10	60.20	64.90	66.80	70.30
CS*0300LS	R-404A	44.80	61.20	71.80	77.90	80.40	84.90
CS*0151LS	R-404A	29.30	42.40	46.40	48.80	49.80	51.60
CS*0221LS	R-404A	39.50	58.90	64.80	68.30	69.80	72.40
CS*0271LS	R-404A	39.40	53.10	60.90	65.20	67.10	70.00
CS*0301LS	R-404A	52.20	72.40	83.90	90.20	93.00	97.10



# LARGE AIR-COOLED CONDENSING UNIT PRODUCT DESCRIPTION

Version: September 2023

## LARGE AIR-COOLED CONDENSING UNIT RECEIVER SIZING *continued*

TABLE 4B: CD\* Unit Refrigerant Charge \*

MODEL	REFRIGERANT	REFRIGERANT CHARGE (LBS)					
		ABOVE 70° F	50° F	30° F	10° F	0° F	BELOW -20° F
CD*0100MS	R-22	14.70	18.50	19.80	20.70	21.00	21.60
CD*0150MS	R-22	17.40	24.50	27.00	28.50	29.00	30.00
CD*0160MS	R-22	17.30	20.20	24.00	26.10	26.90	28.20
CD*0180MS	R-22	17.30	20.20	24.00	26.10	26.90	28.20
CD*0200MS	R-22	29.00	33.40	39.10	42.40	43.60	45.60
CD*0240MS	R-22	31.60	37.30	44.80	49.00	50.60	53.10
CD*0300MS	R-22	32.90	34.50	41.20	47.30	49.60	53.20
CD*0400MS	R-22	32.90	34.50	41.20	47.30	49.60	53.20
CD*0500MS	R-22	42.30	44.40	53.40	61.50	64.60	69.20
CD*0600MS	R-22	53.20	64.20	79.00	87.40	90.40	95.30
CD*0700MS	R-22	55.70	58.60	71.90	84.00	88.50	95.40
CD*0800MS	R-22	80.40	84.50	102.30	118.50	124.60	133.80
CD*1000MS	R-22	80.30	83.90	89.70	109.10	117.50	126.40
CD*1200MS	R-22	104.80	108.70	110.60	130.40	144.00	155.10
CD*0101MS	R-22	17.40	26.00	28.00	29.30	29.80	30.70
CD*0151MS	R-22	17.30	22.70	25.70	27.40	28.10	29.40
CD*0161MS	R-22	20.00	27.90	32.30	34.70	35.70	37.50
CD*0181MS	R-22	31.60	42.40	48.30	51.60	53.00	55.50
CD*0201MS	R-22	32.90	37.10	46.60	51.60	53.40	56.30
CD*0241MS	R-22	32.90	37.10	46.60	51.60	53.40	56.30
CD*0301MS	R-22	42.30	48.00	60.60	67.10	69.50	73.40
CD*0401MS	R-22	42.40	58.40	67.10	72.10	74.10	77.80
CD*0501MS	R-22	42.30	48.00	60.60	67.10	69.50	73.40
CD*0601MS	R-22	55.70	63.90	82.70	92.40	95.90	101.70
CD*0701MS	R-22	80.40	91.50	116.60	129.70	134.50	142.20
CD*0801MS	R-22	90.80	95.90	126.10	145.90	152.30	164.10
CD*1001MS	R-22	117.90	122.30	147.40	176.90	186.10	203.10
CD*1201MS	R-22	136.60	141.60	157.90	198.10	209.50	231.50
CD*0440LQ	R-22	23.90	36.50	42.70	45.90	47.30	49.40
CD*0540LQ	R-22	27.80	44.50	52.60	56.90	58.70	61.50
CD*0600LQ	R-22	36.90	60.30	66.60	70.00	71.50	74.10
CD*0441LQ	R-22	27.80	44.50	52.60	56.90	58.70	61.50
CD*0541LQ	R-22	33.20	63.80	71.90	76.10	78.00	81.20
CD*0601LQ	R-22	44.70	69.90	82.10	88.50	91.30	95.50
CD*0400MS	R-404A	29.00	30.90	37.10	42.70	44.90	48.10
CD*0500MS	R-404A	37.30	39.80	48.00	55.50	58.40	62.70
CD*0600MS	R-404A	46.90	57.40	70.90	78.70	81.60	86.10
CD*0700MS	R-404A	42.20	45.00	53.30	60.90	63.80	68.20
CD*0800MS	R-404A	70.80	75.70	91.90	106.80	112.50	121.00
CD*0401MS	R-404A	37.40	52.10	60.20	64.90	66.80	70.30
CD*0501MS	R-404A	49.00	51.70	74.10	83.20	86.50	91.80
CD*0601MS	R-404A	63.90	72.90	90.20	99.60	103.10	108.70
CD*0701MS	R-404A	70.70	75.80	96.50	110.40	115.00	123.40
CD*0801MS	R-404A	94.70	101.50	129.20	147.70	153.90	165.00
CD*0440LS	R-404A	30.50	33.30	41.90	46.50	48.20	51.00
CD*0540LS	R-404A	39.40	42.90	54.40	60.50	62.80	66.40
CD*0600LS	R-404A	39.50	52.10	60.20	64.90	66.80	70.30
CD*0441LS	R-404A	39.50	58.90	64.80	68.30	69.80	72.40
CD*0541LS	R-404A	44.80	70.20	78.00	82.40	84.30	87.60
CD*0601LS	R-404A	52.20	72.40	83.90	90.20	93.00	97.10

\* All units have two refrigerant circuits. Refrigerant charge shown is per circuit.

Prices, product availability, and specifications are subject to change without notice.



**LARGE AIR-COOLED CONDENSING UNIT  
PRODUCT DESCRIPTION**

Version: **September 2023**

**LARGE AIR-COOLED CONDENSING UNIT RECEIVER SIZING *continued***

**TABLE 4C: CP\* Unit Refrigerant Charge**

MODEL	REFRIGERANT	REFRIGERANT CHARGE (LBS)					
		ABOVE 70° F	50° F	30° F	10° F	0° F	BELOW -20° F
CP*0500MS	R-22	80.40	84.50	102.30	118.50	124.60	133.80
CP*0600MS	R-22	107.90	129.90	159.70	176.30	182.40	192.20
CP*0700MS	R-22	112.90	118.80	145.40	169.50	178.60	192.40
CP*0800MS	R-22	160.70	168.90	204.60	236.90	249.10	267.70
CP*1000MS	R-22	160.50	167.80	179.50	218.30	235.00	252.80
CP*1200MS	R-22	144.10	149.50	152.10	190.60	217.30	238.30
CP*0501MS	R-22	80.40	91.50	116.60	129.70	134.50	142.20
CP*0601MS	R-22	112.90	129.40	166.90	186.40	193.50	205.00
CP*0701MS	R-22	137.00	158.40	208.20	234.00	243.30	258.40
CP*0801MS	R-22	181.50	191.90	252.30	291.70	304.70	328.20
CP*1001MS	R-22	170.30	176.70	225.60	283.60	301.50	334.30
CP*1201MS	R-22	199.40	206.80	237.90	317.10	339.30	382.10
CP*0440LQ	R-22	44.70	69.90	82.10	88.50	91.30	95.50
CP*0540LQ	R-22	52.60	85.90	102.10	110.50	114.20	119.70
CP*0600LQ	R-22	58.30	104.50	116.80	123.30	126.20	131.20
CP*0441LQ	R-22	52.60	85.90	102.10	110.50	114.20	119.70
CP*0541LQ	R-22	63.40	124.50	140.60	149.10	152.80	159.10
CP*0601LQ	R-22	73.90	123.60	147.90	160.40	165.90	174.10
CP*0500MS	R-404A	70.80	75.70	91.90	106.80	112.50	121.00
CP*0600MS	R-404A	95.10	116.10	143.20	158.80	164.60	173.70
CP*0700MS	R-404A	85.70	91.40	108.00	123.20	129.10	137.90
CP*0800MS	R-404A	141.60	151.40	183.90	213.60	225.00	242.10
CP*0501MS	R-404A	99.40	115.70	149.60	167.80	174.50	185.20
CP*0601MS	R-404A	106.70	123.40	157.60	175.90	182.70	193.50
CP*0701MS	R-404A	141.40	149.20	193.00	220.80	230.10	246.80
CP*0801MS	R-404A	159.60	171.60	226.10	262.50	274.60	296.30
CP*0440LS	R-404A	52.20	57.10	74.10	83.20	86.50	91.80
CP*0540LS	R-404A	75.00	81.90	104.60	116.90	121.40	128.60
CP*0600LS	R-404A	75.20	100.20	116.30	125.70	129.40	136.40
CP*0441LS	R-404A	75.20	113.70	125.60	132.40	135.40	140.50
CP*0541LS	R-404A	100.70	152.10	167.90	177.00	181.00	187.90
CP*0601LS	R-404A	105.70	146.30	169.30	150.90	187.50	195.80





Use your QR reader to  
reference current document  
version on [krack.com](http://krack.com).



**Krack, a Hussmann Corporation brand**

For all customers inquiries,  
visit [www.krack.com](http://www.krack.com) or call 800.922.1919.

[www.krack.com](http://www.krack.com)  
[www.hussmann.com](http://www.hussmann.com)